

**GROUP 200
GATE VALVES
MOD. 200B/10**



**DAVINCI
VALVES™**

TECHNICAL DATA SHEET

WATER Series

**RESILIENT SEAT GATE VALVES
RISING STEM FLANGED END**

**DAVINCI
VALVES™**



**QUALITY
ASSUREMENT**

**DAVINCI
VALVES™**



**PRODUCT QT
ASSUREMENT**

**DAVINCI
VALVES™**



**COMPANY QT
ASSUREMENT**

www.davincivalves.com

18 Dongyu Street, Square One,
11th Floor 1101, Jinjiang District,
Chengdu, Sichuan CHINA

10F/Tower A, Billion Center,
1 Wang Kwong Road, Kowloon Bay
Kowloon HONG KONG

RESILIENT SEAT GATE VALVE RISING STEM FLANGED END

Ref.200D / PN 10-16

APPLICATION:

Water and sewage hydraulic installations, heating.

GENERAL CHARACTERISTICS:

Range from ND40 up to ND600 .

Full bore .

100% Tightness in both ways.

Minimum head loss. Low torque values.

STANDARDS:

Manufacture according to ISO 9001 2008.

Face to Face : EN 558-1 Series 14.

Mounting with flanges : PN10 / PN16 EN 1092-2.

Pressure Test: EN 12266-1 Rate A.

Body : 24 bar. Asiento / Seat : 17,6 bar.pressure: Cat. III mod. H.

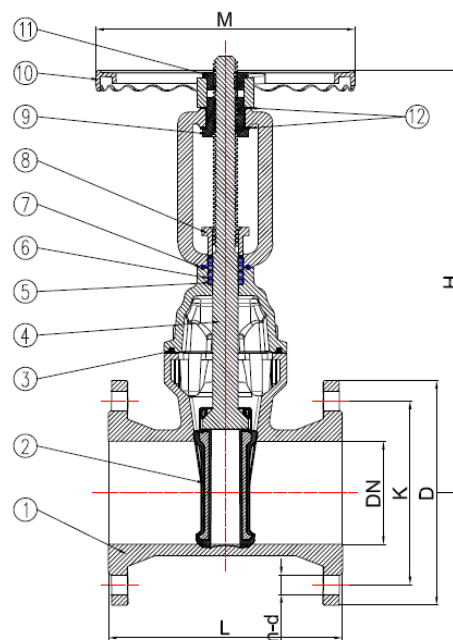
WORKING CONDITIONS:

Maximum Working Pressure : 16 bar.

Metal Seat Working Temperature : - 10 °C / +



ITEM	PART	MATERIAL
1	Body	GJS500
2	Disc	GJS500+ EPDM
3	Bonnet Gasket	NBR
4	Stem	SS420
5	O Ring	NBR
6	Sealing Washer	POM
7	O Ring	NBR
8	Gland	GJS500
9	Lower Stem Nut	CuZn40
10	Handwheel	GJS500
11	Upper Stem Nut	CuZn40
12	Anti Friction Pad	CuZn40



All the components can be substituted with equivalent or higher-class materials.

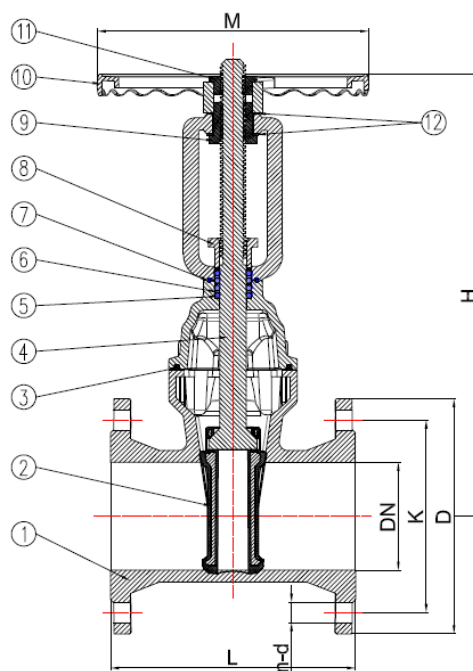
DAVINCI VALVES LTD, is constantly looking at all ways of improving our products and services related to the water, fire and industry sector and therefore we reserve the right to change, without prior notice, any of the data contained here. Please contact our Technical Sales Department for detailed advice.
© 2018 DAVINCI VALVES LTD.

www.davincivalves.com info@davincivalves.com +34 616553797 / +86 17340168233
18 Dongyu Street, Square One 11th Floor 1101. Jinjiang District, Chengdu, Sichuan Province, China

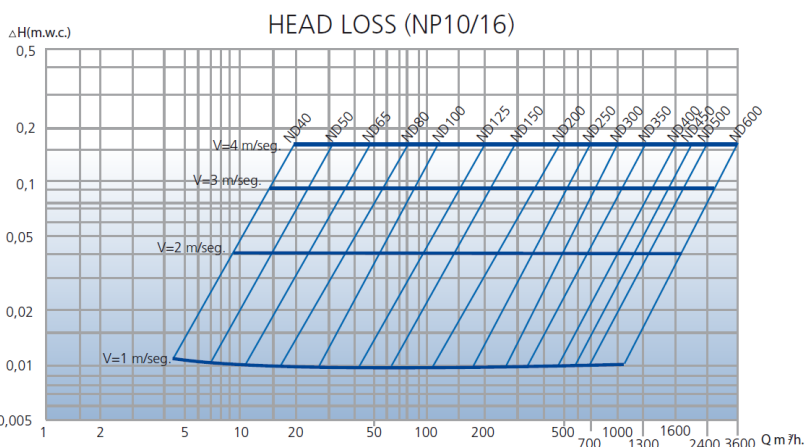
RESILIENT SEAT GATE VALVE RISING STEM FLANGED END

Ref.200D / PN 10-16

ND	L	H	Weight KG
50	150	315	13,3
65	170	325	15,2
80	180	355	20,8
100	190	415	25,9
125	200	490	34,9
150	210	550	55,2
200	230	670	81,1
250	250	845	109,5
300	270	1100	178
350	290	1169	245
400	310	1297	357
500	350	1564	665
600	390	1836	320



TECHNICAL DATA SHEET

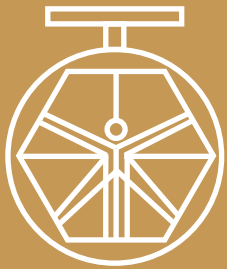


All the components can be substituted with equivalent or higher-class materials.

DAVINCI VALVES LTD, is constantly looking at all ways of improving our products and services related to the water, fire and industry sector and therefore we reserve the right to change, without prior notice, any of the data contained here. Please contact our Technical Sales Department for detailed advice.
© 2018 DAVINCI VALVES LTD.

www.davincivalves.com info@davincivalves.com +34 616553797 / +86 17340168233
18 Dongyu Street, Square One 11th Floor 1101. Jinjiang District, Chengdu, Sichuan Province, China

"For professionals who wants more"



DAVINCI
VALVES™