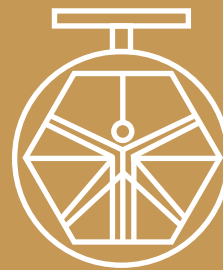


**GROUP 100
TRIPLE
ECCENTRIC
BUTTERFLY
VALVES
MOD. 170A**



**DAVINCI
VALVES™**

**TECHNICAL
DATA SHEET**

WATER Series

**BUTTERFLY VALVES WAFER TYPE
CENTER STEM**

**DAVINCI
VALVES™**



**QUALITY
ASSUREMENT**

**DAVINCI
VALVES™**



**PRODUCT QT
ASSUREMENT**

**DAVINCI
VALVES™**



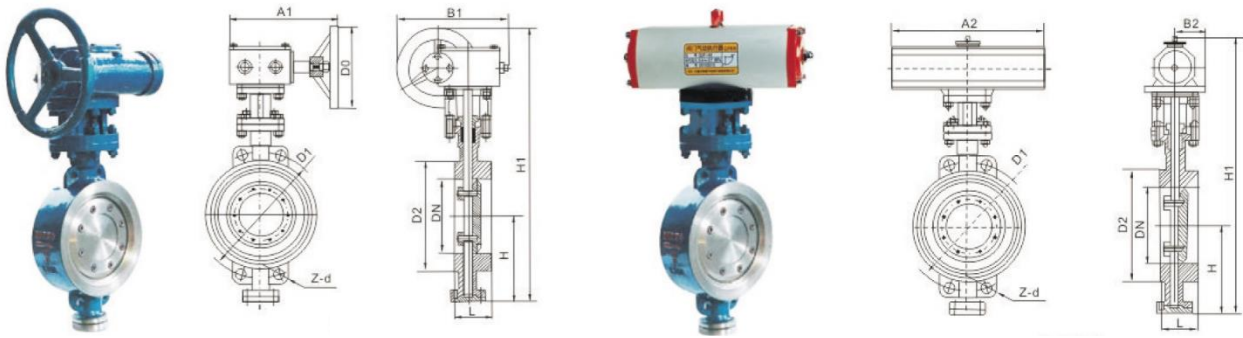
**COMPANY QT
ASSUREMENT**

www.davincivalves.com

18 Dongyu Street, Square One,
11th Floor 1101, Jinjiang District,
Chengdu, Sichuan CHINA

10F/Tower A, Billion Center,
1 Wang Kwong Road, Kowloon Bay
Kowloon HONG KONG

TRIPLE ECCENTRIC WAFER TYPE MULTIPLE LAYERS METALLIC HARD SEALING BUTTERFLY VALVE ref.170A / PN 10-16



Connection Dimensions

DN Nominal diameter		Structure length (standard)		H	External dimension(consult)									Connection dimension(standard)				D _t 343H (kg)
mm		Brief	Long		Dt373H			Dt673H			Dt973H			PN0.6MPa		PN1.0MPa		
					H1	A1	B1	H2	A2	B2	H3	A3	B3	D1	Z-d	D1	Z-d	
50	2	43	43	112	350	180	200	625	245	72	530	250	255	110	4-14	125	4-18	12
65	2 1/2	46	46	115	370	180	200	625	245	72	530	250	255	130	4-14	145	4-18	13
80	3	46	64	120	380	180	200	645	245	72	565	250	255	150	4-18	160	8-18	15
100	4	52	64	138	420	180	200	675	355	92	600	250	255	170	4-18	180	8-18	17
125	5	56	70	164	460	180	200	715	355	92	640	250	255	200	8-18	210	8-18	27
150	6	56	76	175	555	270	280	800	355	92	705	300	315	225	8-18	240	8-22	29
200	8	60	89	215	780	400	425	850	250	170	775	300	315	280	8-18	295	8-22	45
250	10	68	114	243	840	400	425	925	250	170	945	300	315	335	12-18	350	12-22	69
300	12	78	114	285	995	450	560	1035	450	220	1070	300	315	395	12-22	400	12-22	86
350	14	78	127	320	1050	450	560	1070	450	220	1140	300	315	445	12-22	460	16-22	122
400	16	102	140	350	1220	535	580	1190	450	220	1210	300	315	495	16-22	515	16-26	141
450	18	114	152	350	1280	535	580	1250	650	280	1335	575	714	550	16-22	565	20-26	191
500	20	127	152	380	1365	535	580	1290	650	280	1415	575	714	600	20-22	620	20-26	260
600	24	154		435	1460	570	660	1455	850	380	1605	656	810	705	20-26	725	20-30	380
700	28	165		480	1520	750	550	1585	850	380	1844	656	810	810	24-26	840	24-30	450
800	32	190		530	1710	750	550	1700	1250	380	2040	656	810	920	24-30	950	24-33	650
900	36	203		595	1810	750	550	1965	1250	380	2255	785	863	1020	24-30	1050	28-33	830
1000	40	216		650	1900	900	750	2015	1250	380	2380	785	863	1120	28-30	1160	28-36	1050
1200	48	254		775	2280	1000	925	2250	1250	380	2640	785	863	1340	32-33	1380	32-39	1400
1400	56	279		870	2450	1000	925				2886			1560	36-36	1590	36-42	1900
1600	64	318		1000	2730	1000	925				3156			1760	40-36	1820	40-48	2900
1800	72	356		1110	3020	1100	980				3421			1970	44-39	2020	44-48	4000
2000	80	406		1250	3270	1100	980				3685			2180	48-42	2230	48-48	5300

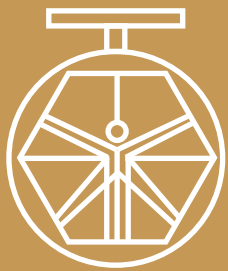
Dd-Expresses the structure of multilayer seal

All the components can be substituted with equivalent or higher-class materials.

DAVINCI VALVES LTD, is constantly looking at all ways of improving our products and services related to the water, fire and industry sector and therefore we reserve the right to change, without prior notice, any of the data contained here. Please contact our Technical Sales Department for detailed advice.

© 2018 DAVINCI VALVES LTD.
www.davincivalves.com info@davincivalves.com +34 616553797 / +86 17340168233
18 Dongyu Street, Square One 11th Floor 1101, Jinjiang District, Chengdu, Sichuan Province, China

"For professionals who want more "



DAVINCI
VALVES™