

**GROUP 800
KNIFE VALVES
MOD.831A/105**



**DAVINCI
VALVES™**

**TECHNICAL
DATA SHEET**

INDUSTRY Series

**BIDIRECTIONAL SELF-SEALING MEDIUM
PRESSURE KNIFE VALVE**

**DAVINCI
VALVES™**



**QUALITY
ASSUREMENT**

**DAVINCI
VALVES™**



**PRODUCT QT
ASSUREMENT**

**DAVINCI
VALVES™**



**COMPANY QT
ASSUREMENT**

www.davincivalves.com

18 Dongyu Street, Square One,
11th Floor 1101, Jinjiang District,
Chengdu, Sichuan CHINA

10F/Tower A, Billion Center,
1 Wang Kwong Road, Kowloon Bay
Kowloon HONG KONG

BIDIRECTIONAL SELF-SEALING MEDIUM PRESSURE KNIFE VALVE

ref.831A / PN 10-16



MODEL: 831A

WORKING PRESSURE:

DN80-DN800 20Bar DN900-DN000 16Bar

STANDARDS:

Type: Lug
Design: MSS SP-81
Flange Standard: DIN PN10, PN16, 150LB, JIS 10K, TABLE E/D
Face to Face: MSS SP-81
Testing Standard: API-598
Operation: handwheel, electric, pneumatic, hydraulic, sprocket, electro-hydraulic, gear

GENERAL CHARACTERISTICS:

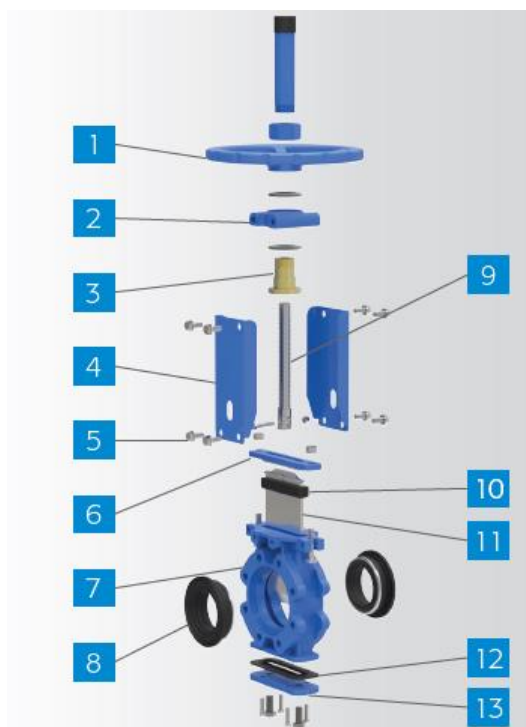
Main Material: GGG40, WCB
Wedge Material: SS316L, SS304
Sealing Material: NR, EPDM
Packing: Rubber
Applicable Medium: Applicable to slurry, urban sewage treatment, powder, paper, chemicals, and other fields

FEATURES:

- ✚ Bi-directional seal
- ✚ Self-sealing design Suitable for a variety of different conditions
- ✚ 2PC Strong yoke design
- ✚ Cleaning hloe design, easy for cleaning body Residual medium
- ✚ Mixed with a variety of materials packing

PRODUCT DESCRIPTION:

831A Series Self-sealing knife gate valve is to use two rubber seats on the clip pressed the knife a sealing effect. When the knife is fully open, the two seat seals combined tightly, the pipeline pressure will make sealing better, while the valve is closed, the gate can be arbitrarily removed convenient maintenance, sleeve on both sides of seat, Full protection of the valve body, Extend valve life.



No.	Part	Material	QTY
1	Hand Wheel	GGG40	1
2	Yoke Head	WCB/GGG40	1
3	Stem Nut	Brass	1
4	Yoke	Q235	2
5	Bolt & Nut	Fe+Zn(painting)/SS304	1
6	Packing Gland	WCB	1
7	Body	GGG40	1
8	Seat	NR+Steel	2
9	Stem	2Cr13/SS304/SS316	N
10	Packing	Rubber	3-5
11	Disc	SS304/SS316L	1
12	Sealing	NR	1
13	Bottom Cover	Q235/WCB	1

All the components can be substituted with equivalent or higher-class materials.

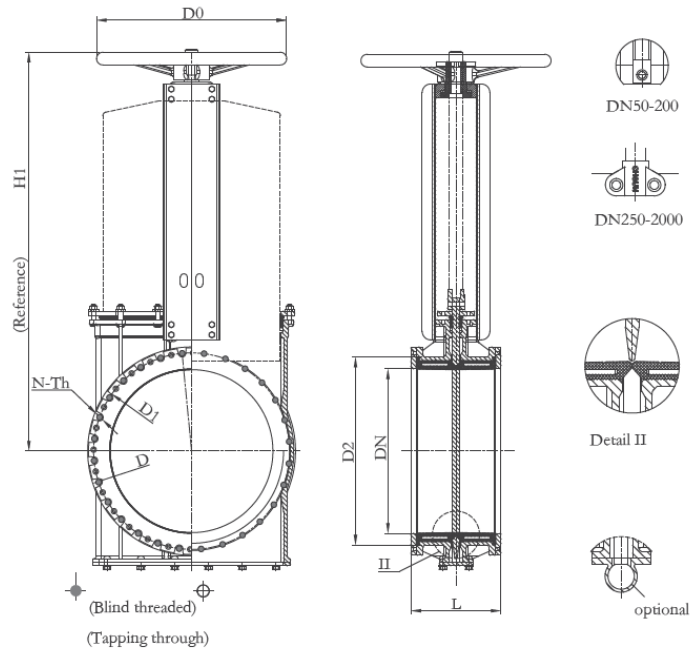
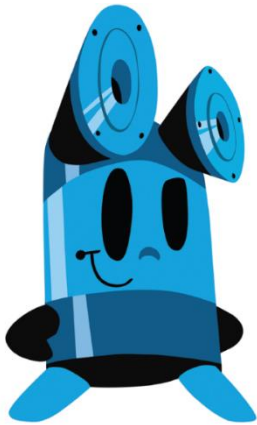
DAVINCI VALVES LTD, is constantly looking at all ways of improving our products and services related to the water, fire and industry sector and therefore we reserve the right to change, without prior notice, any of the data contained here. Please contact our Technical Sales Department for detailed advice.
© 2018 DAVINCI VALVES LTD.

www.davincivalves.com info@davincivalves.com +34 616553797 / +86 17340168233

BIDIRECTIONAL SELF-SEALING MEDIUM PRESSURE KNIFE VALVE

ref.831A / PN 10-16

DIMENSION



DIN2632 PN10								
DN	L	D	D1	D2	D0	N-Th	d(φ)	H1
50	172	165	125	99	180	4-M16	18	260
65	172	185	145	118	200	4-M16	18	292
80	172	200	160	132	200	8-M16	18	320
100	172	220	180	156	240	8-M16	18	358
125	174	250	210	184	260	8-M16	18	395
150	174	285	240	211	280	8-M20	23	450
200	180	340	295	266	300	8-M20	23	532
250	220	395	350	319	320	12-M20	23	670
300	255	445	400	370	350	12-M20	23	758
350	255	505	460	429	400	16-M20	23	857
400	281	565	515	480	450	16-M24	27	946
450	305	615	565	530	500	20-M24	27	1023
500	350	670	620	582	500	20-M24	27	Gear
600	369	780	725	682		20-M27	30	Gear
700	372	895	840	794		24-M27	30	Gear
800	405	1015	950	901		24-M30	33	Gear
900	480	1115	1050	1001		28-M30	33	Gear
1000	535	1230	1160	1112		28-M33	36	Gear

ANSI 150LB								
DN	L	D	D1	D2	D0	N-Th	d(φ)	H1
2"	172	152	121	92	180	4-5/8"	19	260
2-1/2"	172	178	140	105	200	4-5/8"	19	292
3"	172	191	153	127	200	4-5/8"	19	320
4"	172	229	191	157	240	8-5/8"	19	358
5"	172	254	216	186	260	8-3/4"	22	395
6"	174	279	242	216	280	8-3/4"	22	450
8"	174	343	299	270	300	8-3/4"	22	532
10"	180	406	362	324	320	12-7/8"	25	670
12"	220	483	432	381	350	12-7/8"	25	758
14"	255	533	476	413	400	12-1"	29	857
16"	281	597	540	470	450	16-1"	29	946
18"	305	635	578	533	500	16-1 1/8"	32	1023
20"	350	699	635	584	500	20-1 1/8"	32	Gear
24"	369	813	750	691		20-1 1/4"	35	Gear
28"	372	927	864	800		24-1 1/4"	35	Gear
32"	405	1060	978	914		28-1 1/2"	41	Gear
36"	480	1170	1086	1022		32-1 1/2"	41	Gear
40"	535	1290	1200	1124		36-1 1/2"	41	Gear

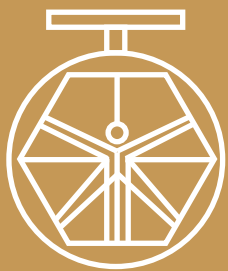
All the components can be substituted with equivalent or higher-class materials.

DAVINCI VALVES LTD, is constantly looking at all ways of improving our products and services related to the water, fire and industry sector and therefore we reserve the right to change, without prior notice, any of the data contained here. Please contact our Technical Sales Department for detailed advice.

© 2018 DAVINCI VALVES LTD.

www.davincivalves.com info@davincivalves.com +34 616553797 / +86 17340168233

"For professionals who wants more"



DAVINCI
VALVES™