

**GROUP 800  
KNIFE VALVES  
MOD.800A/91**



**DAVINCI  
VALVES™**

**TECHNICAL  
DATA SHEET**

**INDUSTRY Series**

**UNIDIRECTIONAL SEALING KNIFE  
VALVE**

**DAVINCI  
VALVES™**



**QUALITY  
ASSUREMENT**

**DAVINCI  
VALVES™**



**PRODUCT QT  
ASSUREMENT**

**DAVINCI  
VALVES™**



**COMPANY QT  
ASSUREMENT**

[www.davincivalves.com](http://www.davincivalves.com)

18 Dongyu Street, Square One,  
11th Floor 1101, Jinjiang District,  
Chengdu, Sichuan CHINA

10F/Tower A, Billion Center,  
1 Wang Kwong Road, Kowloon Bay  
Kowloon HONG KONG

## UNIDIRECTIONAL SEALING KNIFE VALVE HEAVY SEAT REPLACEABLE

ref.801A / PN 10-16



**MODEL:** 800A

**WORKING PRESSURE:**

DN50-DN100 16Bar    DN125-DN200 14Bar  
 DN250-DN300 12Bar    DN350-DN400 10Bar  
 DN450-DN550 8Bar    DN600-DN650 5Bar  
 DN700-DN750 4Bar    DN800-DN900 3Bar  
 DN1000-DN1400 2Bar





**STANDARDS:**

Design: MSS SP-81  
 Flange Standard: DIN PN10, PN16, 150LB, JIS 10K, TABLE E/D  
 Face to Face: MSS SP-81  
 Testing Standard: API-598  
 Transmission: manual, electric, pneumatic, hydraulic, electro-hydraulic, gear

**GENERAL CHARACTERISTICS:**

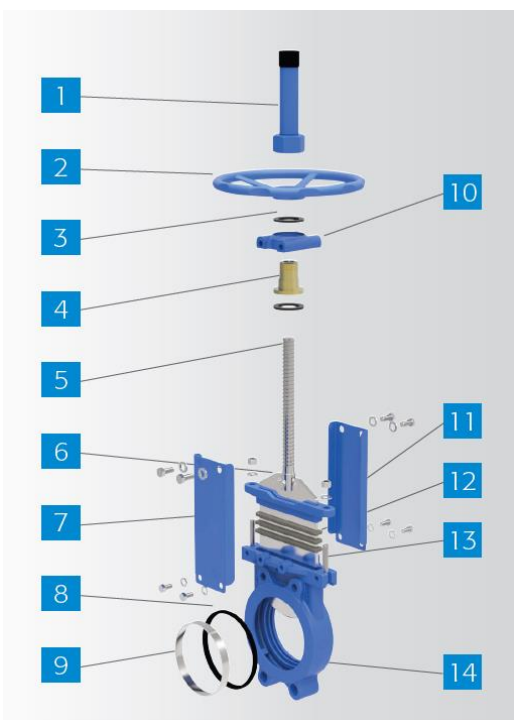
Main Material: WCB, CF3M, CF8  
 Wedge Material: SS316L, SS304  
 Sealing Material: NBR, EPDM, FKM, Metal  
 Packing Aramid fiber, high-water-based rubber packing graphite wheel for Applicable  
 Medium: pulp, cement slurry, gold or powder, coal slurry pulp, chemical treatment of sewage, sedimentation tanks, asphalt, acid and other liquids and other media.

**FEATURES:**

-  Unidirectional sealing
-  1PC Body design
-  Full port design
-  Mixed with a variety of materials packing

**PRODUCT DESCRIPTION:**

800A Series Knife gate valve is with replaceable rubber seal knife gate structure, its sealing principle is mainly by closely connection between gate and rubber seals. Its main characters are that the rubber sealing ring is set in seat' groove and is locked by metal seat, which will prevent rubber seal off when opening and closing the valve. If the seal is broken, you can remove the metal seat and replace the rubber seal, which will greatly improve valve' working efficiency. This valve is a cost-effective, high-performance products. The series of knife gate valve can be equipped with pneumatic actuators, in order to meet the requirements of different industrial and mining use.



No.	Part	Material	QTY
1	Handle Cover	Q235+painting	1
2	Hand Wheel	GGG40	1
3	Bearing	ZChSnSb 10-6	2
4	Stem nut	Brass	1
5	stem	2Cr13/SS304/SS316	1
6	disc	SS304/SS316/F55/2205	1
7	yoke	Q235	1
8	seat	EPDM/NBR/PTFE/Metal	1
9	seat Cover	SS304/SS316	1
10	yoke head	GGG40	1
11	packing gland	WCB/CF8	1
12	packing	Aramid PTFE	3-5
13	bolt	Fe+Zn With Painting/SS304	N
14	body	WCB/GGG40/CF8/CF8M	1

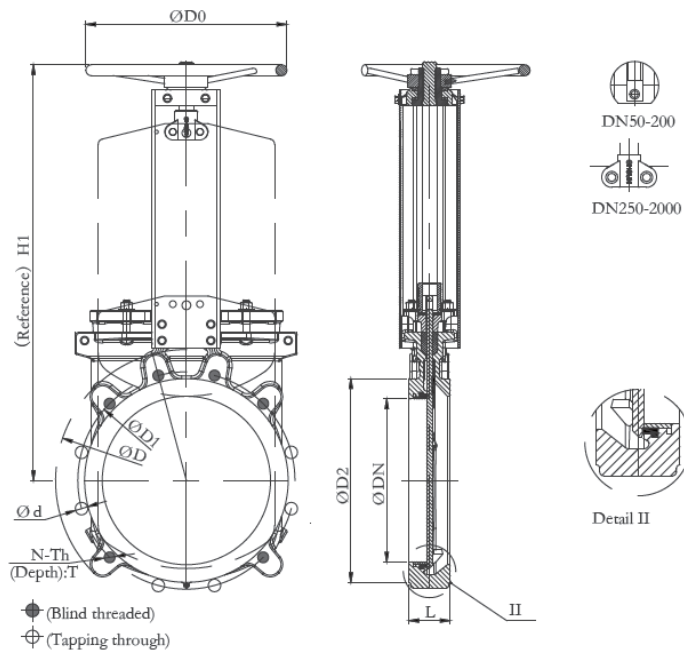
All the components can be substituted with equivalent or higher-class materials.

DAVINCI VALVES LTD, is constantly looking at all ways of improving our products and services related to the water, fire and industry sector and therefore we reserve the right to change, without prior notice, any of the data contained here. Please contact our Technical Sales Department for detailed advice.  
 © 2018 DAVINCI VALVES LTD.

www.davincivalves.com info@davincivalves.com +34 616553797 / +86 17340168233

## UNIDIRECTIONAL SEALING KNIFE VALVE HEAVY SEAT REPLACEABLE ref.801A / PN 10-16

### Dimension



### ANSI 150LB

DN	L	D	D1	D2	D0	N-Th	d(φ)	H1
2"	48	152	121	92	180	4-5/8"	19	260
2-1/2"	48	178	140	105	200	4-5/8"	19	292
3"	51	191	153	127	200	4-5/8"	19	320
4"	51	229	191	157	240	8-5/8"	19	358
5"	57	254	216	186	260	8-3/4"	22	395
6"	57	279	242	216	280	8-3/4"	22	450
8"	70	343	299	270	300	8-3/4"	22	532
10"	70	406	362	324	320	12-7/8"	25	670
12"	76	483	432	381	350	12-7/8"	25	758
14"	76	533	476	413	400	12-1"	29	857
16"	89	597	540	470	450	16-1"	29	946

### DIN2632 PN10

DN	L	D	D1	D2	D0	N-Th	d(φ)	H1
50	48	165	125	99	180	4-M16	18	260
65	48	185	145	118	200	4-M16	18	292
80	51	200	160	132	200	8-M16	18	320
100	51	220	180	156	240	8-M16	18	358
125	57	250	210	184	260	8-M16	18	395
150	57	285	240	211	280	8-M20	23	450
175	57	305	265	237	280	12-M20	23	504
200	70	340	295	266	300	8-M20	23	532
250	70	395	350	319	320	12-M20	23	670
300	76	445	400	370	350	12-M20	23	758
350	76	505	460	429	400	16-M20	23	857
400	89	565	515	480	450	16-M24	27	946

All the components can be substituted with equivalent or higher-class materials.

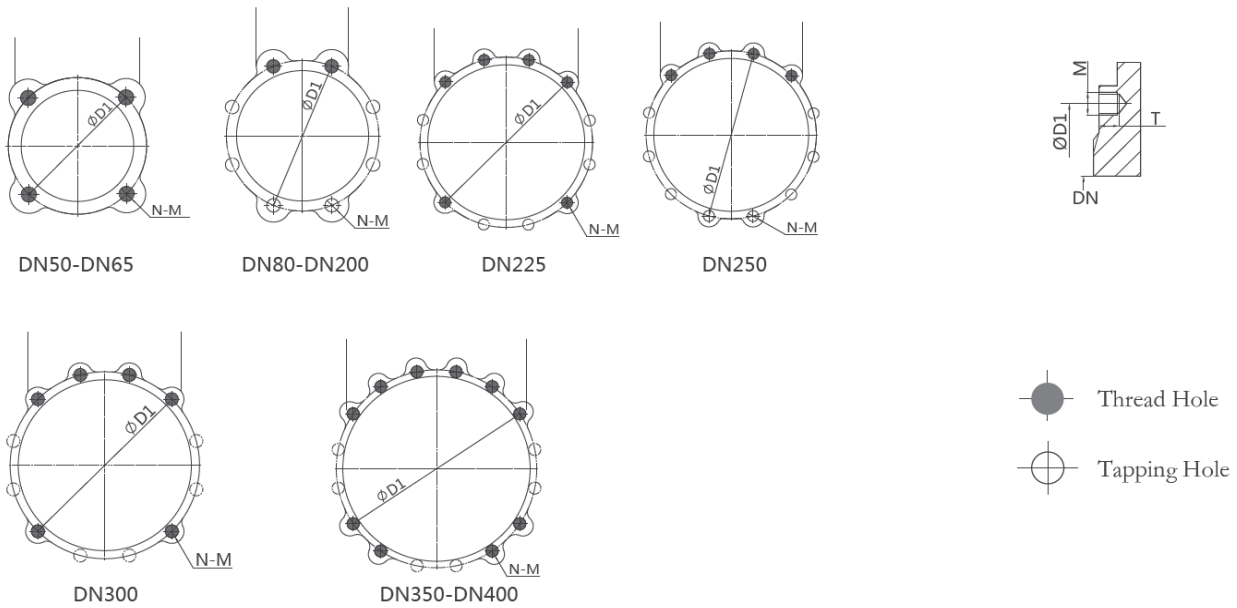
DAVINCI VALVES LTD, is constantly looking at all ways of improving our products and services related to the water, fire and industry sector and therefore we reserve the right to change, without prior notice, any of the data contained here. Please contact our Technical Sales Department for detailed advice.

© 2018 DAVINCI VALVES LTD.

www.davincivalves.com info@davincivalves.com +34 616553797 / +86 17340168233

## UNIDIRECTIONAL SEALING KNIFE VALVE HEAVY SEAT REPLACEABLE ref.801A / PN 10-16

PN10 Threaded hole and Tapping hole



PN10						
DN	D1	N	M	T	Thread Hole	Tapping Hole
50	125	4	16	13	2	2
65	145	4	16	13	2	2
80	160	8	16	13	2	6
100	180	8	16	13	2	6
125	210	8	16	16	2	6
150	240	8	16	16	2	6
200	295	8	16	20	2	6
225	310	12	20	20	6	6
250	350	12	20	20	4	8
300	400	12	20	20	6	6
350	460	16	20	20	10	6
400	515	16	24	24	10	6

All the components can be substituted with equivalent or higher-class materials.

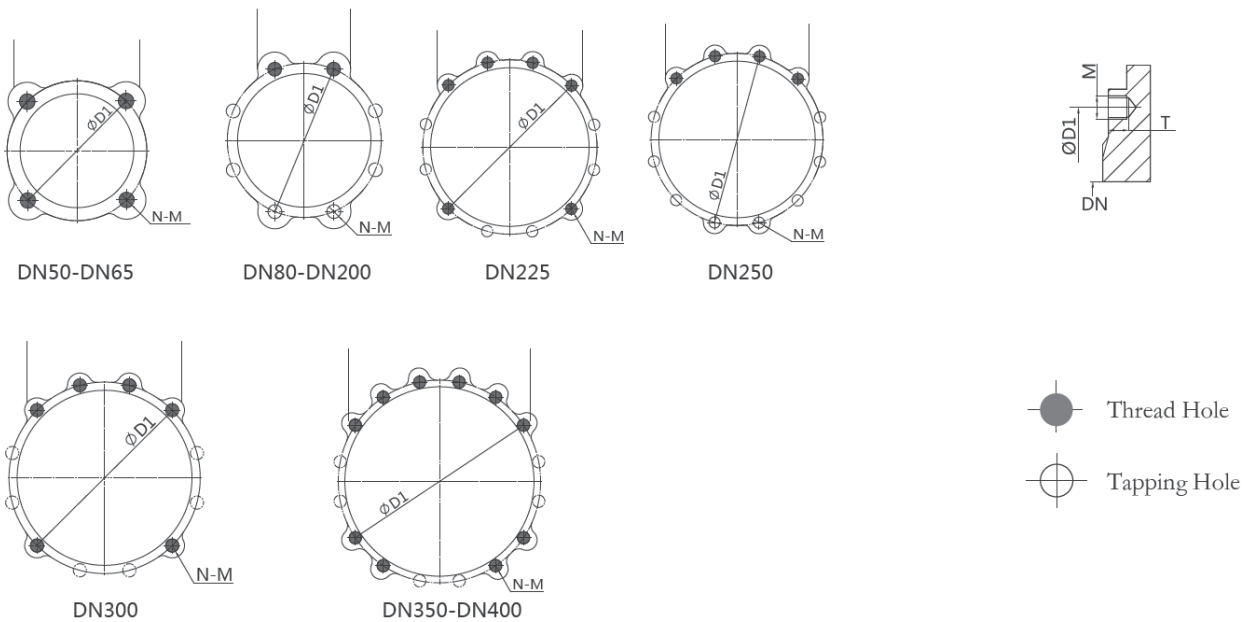
DAVINCI VALVES LTD, is constantly looking at all ways of improving our products and services related to the water, fire and industry sector and therefore we reserve the right to change, without prior notice, any of the data contained here. Please contact our Technical Sales Department for detailed advice.

© 2018 DAVINCI VALVES LTD.

www.davincivalves.com info@davincivalves.com +34 616553797 / +86 17340168233

## UNIDIRECTIONAL SEALING KNIFE VALVE HEAVY SEAT REPLACEABLE ref.801A / PN 10-16

150LB Threaded hole and Tapping hole



### ANSI 150LB

DN	D1	N	M	T	Thread Hole	Tapping Hole
2"	121	4	M5/8-11	13	2	2
2-1/2"	140	4	M5/8-11	13	2	2
3"	153	4	M5/8-11	13	2	2
4"	191	8	M5/8-11	13	2	6
5"	216	8	M3/4-10	16	2	6
6"	242	8	M3/4-10	16	2	6
8"	299	8	M3/4-10	20	2	6
10"	362	12	M7/8-9	20	2	6
12"	432	12	M7/8-9	20	6	6
14"	476	12	M1-8	20	6	6
16"	540	16	M1-8	24	10	6

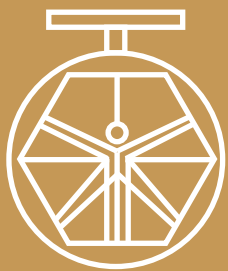
All the components can be substituted with equivalent or higher-class materials.

DAVINCI VALVES LTD, is constantly looking at all ways of improving our products and services related to the water, fire and industry sector and therefore we reserve the right to change, without prior notice, any of the data contained here. Please contact our Technical Sales Department for detailed advice.

© 2018 DAVINCI VALVES LTD.

www.davincivalves.com info@davincivalves.com +34 616553797 / +86 17340168233

*"For professionals who wants more"*



DAVINCI  
VALVES™