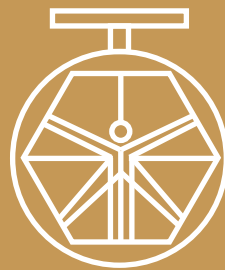


**GROUP 500
AUTOMATIC
CONTROL
VALVES MOD.
505A/102**



**DAVINCI
VALVES™**

**TECHNICAL
DATA SHEET
WATER Series**

**AIR RELIEF VALVES SEWAGE WATER
FLANGED END TRIPLE FUNCTION**

**DAVINCI
VALVES™**



**QUALITY
ASSUREMENT**

**DAVINCI
VALVES™**



**PRODUCT QT
ASSUREMENT**

**DAVINCI
VALVES™**



**COMPANY QT
ASSUREMENT**

www.davincivalves.com

18 Dongyu Street, Square One,
11th Floor 1101, Jinjiang District,
Chengdu, Sichuan CHINA

10F/Tower A, Billion Center,
1 Wang Kwong Road, Kowloon Bay
Kowloon HONG KONG

AIR RELIEF FOR SEWAGE WATER TRIPLE FUNCTION

Ref.500A / PN 10-16-ANSI150#

STANDARDS:

Hydrostatic test according to EN 12266-1, class A.
 EC directive
 Construction according to EN 1074-4 and AWWA C512
 Flanged according to ISO 7005-2

TECHNICAL INFORMATION:

Design acc. To: AWWA C512/EN1074-4/CJ-T 217-2005
 Thread: BSP / ISO228-1
 Testing acc. To: EN1074-1 & 4 /EN12266
 Working Pressure: PN10/16, CLASS 125/150



CHARACTERS:

Small Orifice 2mm diameter for high-speed venting
 Full stainless-steel suits for sewerage liquid
 Triple function
 **Special specification available upon request

SPECIAL ADVANTAGED:

100% -full flow area thru the valve internal.
 The float can resist high pressure from 51-70Bar for different size air valve.
 Blow shut pressure can come up to 2.0Bar. Generally, up to 0.5Bar is enough for operation.
 Single body preventing breakage of dual bodies connection.
 All internal parts are 304SS material without rusting.
 Full flow area- enough for air exhausting
 Min. closing pressure can be 0.3Bar, and 0.2Bar can be provided upon request.

| Orifice | Open area |
|-------------|-------------------------|
| dia.32/40mm | 803/1256mm ² |
| dia.32/40mm | 803/1256mm ² |
| dia.32/40mm | 803/1256mm ² |
| dia.32/40mm | 803/1256mm ² |
| dia.32/40mm | 803/1256mm ² |

All the components can be substituted with equivalent or higher-class materials.

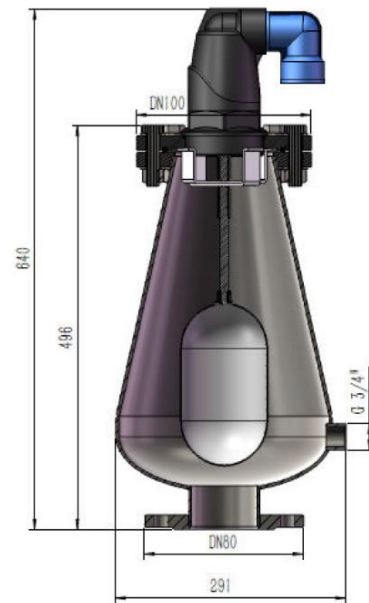
DAVINCI VALVES LTD, is constantly looking at all ways of improving our products and services related to the water, fire and industry sector and therefore we reserve the right to change, without prior notice, any of the data contained here. Please contact our Technical Sales Department for detailed advice.
 © 2018 DAVINCI VALVES LTD.

www.davincivalves.com www.davincivalves.en.alibaba.com info@davincivalves.com +34 616553797 / +86 17340168233
 18 Dongyu Street, Square One 11th Floor 1101. Jinjiang District, Chengdu, Sichuan Province, China

AIR RELIEF FOR SEWAGE WATER TRIPLE FUNCTION

Ref.500A / PN 10-16-ANSI150#

| Nº | ITEM | MATERIAL |
|----|---------------|----------------|
| 1 | BODY | DI/SS316/SS304 |
| 2 | FLOAT | SS316/SS304 |
| 3 | KINETIC BAR | SS316/SS304 |
| 4 | TOP FLANGE | CF8M/CF8/UHMW |
| 5 | GASKET | NBR/VITON |
| 6 | SEALING SEAT | EPDM/NBR |
| 7 | UP VENT FLOAT | UHMW |
| 8 | UP VALVE BODY | ABS |



| VALVE SIZE | | 2" (DN50) | 3" (DN80) | 4" (DN100) | 6" (DN150) |
|---------------------|-----------|-----------|-----------|------------|------------|
| H overall height | mm | 640 | 640 | 640 | 640 |
| W overall width | mm | 291 | 291 | 291 | 291 |
| A vent orifice area | square mm | 12.56 | 12.56 | 12.56 | 12.56 |
| K big orifice area | square mm | 855 | 855 | 855 | 855 |
| E drain diameter | BSP | 1-1/2" | 1-1/2" | 1-1/2" | 1-1/2" |

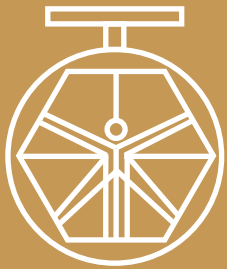
TECHNICAL DATA SHEET

All the components can be substituted with equivalent or higher-class materials.

DAVINCI VALVES LTD, is constantly looking at all ways of improving our products and services related to the water, fire and industry sector and therefore we reserve the right to change, without prior notice, any of the data contained here. Please contact our Technical Sales Department for detailed advice.
© 2018 DAVINCI VALVES LTD.

www.davincivalves.com www.davincivalves.en.alibaba.com info@davincivalves.com +34 616553797 / +86 17340168233
18 Dongyu Street, Square One 11th Floor 1101. Jinjiang District, Chengdu, Sichuan Province, China

"For professionals who wants more"



DAVINCI
VALVES™