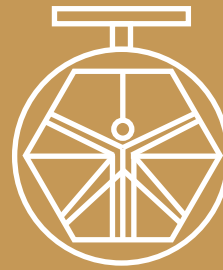


**GROUP 100  
BUTTERFLY  
VALVES  
MOD. 141A/48**



**DAVINCI  
VALVES™**

**TECHNICAL  
DATA SHEET**

**FIRE Series**

**SYSTEM UL/FM  
CENTER STEM PLUG  
GROOVE TYPE 175PSI**

**DAVINCI  
VALVES™**



**QUALITY  
ASSUREMENT**

**DAVINCI  
VALVES™**



**PRODUCT QT  
ASSUREMENT**

**DAVINCI  
VALVES™**



**COMPANY QT  
ASSUREMENT**

[www.davincivalves.com](http://www.davincivalves.com)

18 Dongyu Street, Square One,  
11th Floor 1101, Jinjiang District,  
Chengdu, Sichuan CHINA

10F/Tower A, Billion Center,  
1 Wang Kwong Road, Kowloon Bay  
Kowloon HONG KONG

## GROOVE END TYPE BUTTERFLY VALVE WITH PLUG UL/ULC LISTED, FM APPROVED Ref.141A / 200-300PSI

### GENERAL CHARACTERISTICS:

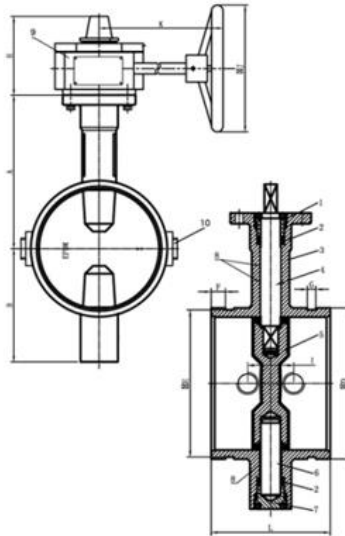
Range from ND50 up to ND300.  
Double Seal Disc Resilient EPDM  
Coated  
Factory Installed Supervisory Tamper Switch  
Assembly  
Low torque values.  
Epoxy paint 250 microns

### STANDARDS:

Design: API609  
Face to Face ASME B16.10  
Top Flange Standard ISO 5211  
Test Standard FM1112/UL1091

### WORKING CONDITIONS:

Pressure Ratings: 200PSI  
Working Temperature: -10°C +120°C  
Suitable Media: Water



ITEM	PART	MATERIAL	ITEM	PART	MATERIAL
1	Upper Shaft sealing Nut	WCB	6	Lower Shaft	SS416
2	Shaft Seal	EPDM	7	Lower Shaft sealing Nut	WCB
3	Body	DI	8	Stem Bushing	PTFE
4	Upper Shaft sealing Nut	SS416	9	Signal Gear Box	DI
5	Disc	DI+EPDM	10	Plug	C95400

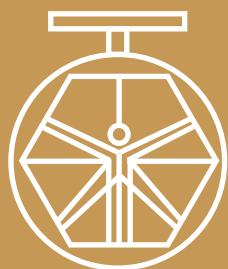
	A	B	C	D	E	F	G	H	K	J	L
2.5"	125	95	32	73	69.1	15.9	7.9	111	153	152	152.4
				76.1	72.1						
3"	140	100	32	88.9	84.9	15.9	7.9	111	153	152	158.8
4"	160	100	32	114.3	110.1	15.9	9.5	111	153	152	168.4
6"	190	140	32	165.1	160.7	15.9	9.5	111	153	200	177.8
				168.3	164						
8"	230	175	32	216.3	211.6	19	11.1	126	230	290	203
				219.1	214.6						
10"	260	200	45	267.4	262.6	19	12.7	126	230	290	203
				273	268.3						

All the components can be substituted with equivalent or higher-class materials.

DAVINCI VALVES LTD, is constantly looking at all ways of improving our products and services related to the water, fire and industry sector and therefore we reserve the right to change, without prior notice, any of the data contained here. Please contact our Technical Sales Department for detailed advice.  
© 2018 DAVINCI VALVES LTD.

www.davincivalves.com info@davincivalves.com +34 616553797 / +86 17340168233  
18 Dongyu Street, Square One 11th Floor 1101. Jinjiang District, Chengdu, Sichuan Province, China

*"For professionals who wants more"*



DAVINCI  
VALVES™