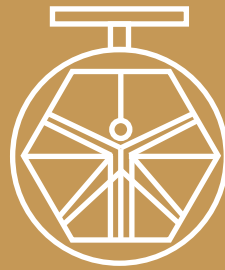


**GROUP 200
GATE VALVES
MOD.
200A/09.3**



**DAVINCI
VALVES™**

TECHNICAL DATA SHEET

WATER Series

**RESILIENT SEAT GATE VALVES
BODY S.STEEL PN16 NON RISING
STEM FLANGED END**

**DAVINCI
VALVES™**



**QUALITY
ASSUREMENT**

**DAVINCI
VALVES™**



**PRODUCT QT
ASSUREMENT**

**DAVINCI
VALVES™**



**COMPANY QT
ASSUREMENT**

www.davincivalves.com

18 Dongyu Street, Square One,
11th Floor 1101, Jinjiang District,
Chengdu, Sichuan CHINA

10F/Tower A, Billion Center,
1 Wang Kwong Road, Kowloon Bay
Kowloon HONG KONG

RESILIENT SEAT GATE S.STEEL BODY VALVE NON-RISING STEM F4

APPLICATION:

Potable water distribution and pumping, sewage, irrigation, Sea Water, Industry

GENERAL CHARACTERISTICS:

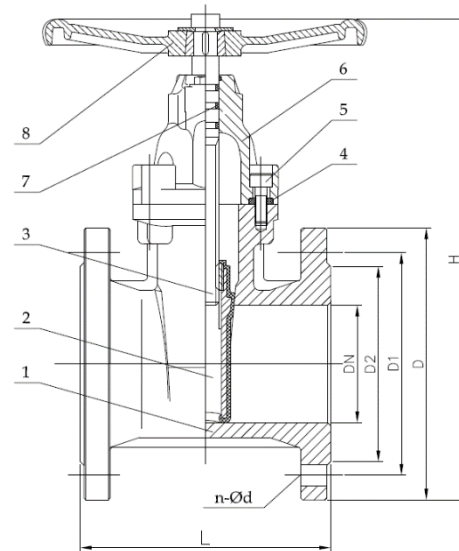
Range from ND40 up to ND300.
Full bore.
100% Tightness in both ways.
Repackable under pipeline pressure.
Low torque values.

STANDARDS:

Design: DIN 3352.
Face to Face: EN 558-1 Serie 14/15.
Mounting between flanges: PN16 EN 1092-2, ISO 7005-2.
Pressure Test: EN 12266-1 Rate A. Body: 24 bars. Seat: 18 bars.

WORKING CONDITIONS:

Working Temperature: -10°C +80°C
Suitable Media: Water



Nº	ITEM	MATERIAL
1	BODY	CF8
2	WEDGE	EPDM
3	STEM	SS304
4	GASKETS	EPDM
5	BOLTS	A193 B8
6	BONNET	CF8
7	O RINGS	EPDM
8	HAND WHEELS	QT450-10

ND	D	D1	D2	n-Ød	L	H
50	165	125	99	4-18	150	313
65	185	145	118	4-18	170	332
80	200	160	132	8-18	180	372
100	220	180	154	8-18	1980	424
125	250	210	184	8-18	200	497
150	285	240	210	8-22	210	562
200	340	295	268	8-22	230	680
250	405	355	320	12-26	250	837
300	460	410	370	12-26	270	948

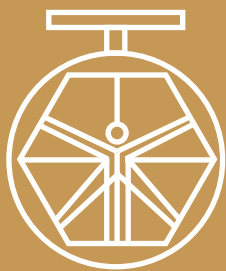
All the components can be substituted with equivalent or higher-class materials.

DAVINCI VALVES LTD, is constantly looking at all ways of improving our products and services related to the water, fire and industry sector and therefore we reserve the right to change, without prior notice, any of the data contained here. Please contact our Technical Sales Department for detailed advice.

© 2018 DAVINCI VALVES LTD.

www.davincivalves.com info@davincivalves.com +34 616553797 / +86 17340168233
18 Dongyu Street, Square One 11th Floor 1101. Jinjiang District, Chengdu, Sichuan Province, China

"For professionals who wants more"



DAVINCI
VALVES™