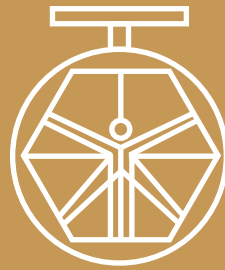


**GROUP 700
BALL VALVES
MOD. 744/118**



**DAVINCI
VALVES™**

**TECHNICAL
DATA SHEET**
INDUSTRY Series

**BALL VALVES
2 PIECE 3 WAYS THREADED END**

**DAVINCI
VALVES™**



**QUALITY
ASSUREMENT**

**DAVINCI
VALVES™**



**PRODUCT QT
ASSUREMENT**

**DAVINCI
VALVES™**



**COMPANY QT
ASSUREMENT**

www.davincivalves.com

18 Dongyu Street, Square One,
11th Floor 1101, Jinjiang District,
Chengdu, Sichuan CHINA

10F/Tower A, Billion Center,
1 Wang Kwong Road, Kowloon Bay
Kowloon HONG KONG

3 WAYS BALL VALVE L/T PORT THREADED END

Ref.744/118

APPLICATION:

Water, Gas oil, Industry

GENERAL CHARACTERISTICS:

Range from ND006 up to ND100.

Installation in horizontal or vertical position.

Low head loss.

L or T port configuration

Lockable lever with PVC sleeve

Max pressure of 1000 psi

Cavity pressure relieving hole in ball

WORKING CONDITIONS:

Maximum Working Pressure 1000 WOG

Working Temperature: - 10°C / + 200 °C.

Suitable Media: Water, Gas oil

Consult Factory for other applications

STANDARDS:

Standard ports.

Thread end GAS /NPT

ISO 5211 "Direct Mount" top flange

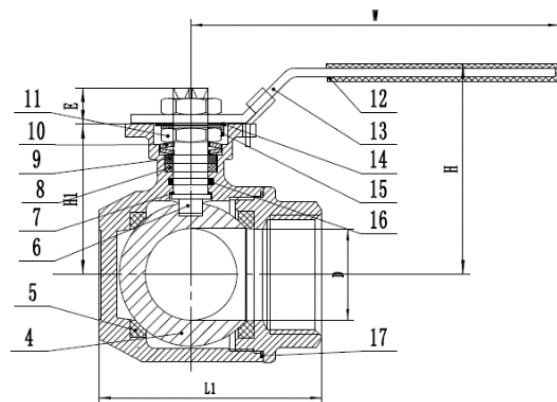
Anti-static design in accordance with

ATEX guidance 94/9/EC

EU directive 2014/68/EU Equipment's under pressure: Cat. III mod. H.



NO.	PART	QTY	MATERIAL
17	Body Packing	1	Pipe
16	O-RING	1	Viton
15	Thrust Washer	1	304
14	Washer	1	304
13	Handle	1	304
12	Plastic Cover	1	Plastic
11	Nut	2	304
10	Spring Washer	2	304
9	Gland Nut	1	304
8	Stem Packing	1	PTFE
7	Stem Seal	1	PTFE
6	Stem	1	304/316
5	Ball Seat	4	PTFE
4	Ball	1	CF8/CF8M
3	Cap(1)	1	CF8/CF8M/WCB
2	Cap(2)	2	CF8/CF8M/WCB
1	Body	1	CF8/CF8M/WCB



All the components can be substituted with equivalent or higher-class materials.

DAVINCI VALVES LTD, is constantly looking at all ways of improving our products and services related to the water, fire and industry sector and therefore we reserve the right to change, without prior notice, any of the data contained here. Please contact our Technical Sales Department for detailed advice.

© 2018 DAVINCI VALVES LTD.

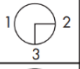
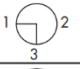
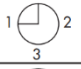
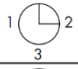
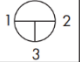
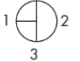

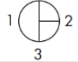
www.davincivalves.com info@davincivalves.com

+34 616553797 / +86 17340168233

3 WAYS BALL VALVE L/T PORT THREADED END

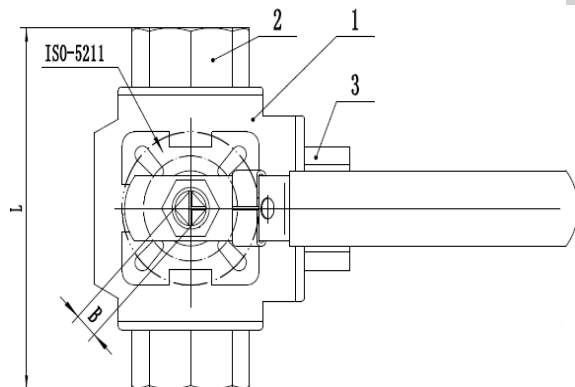
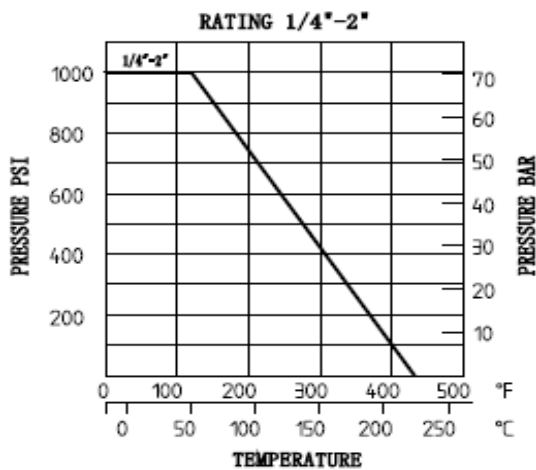
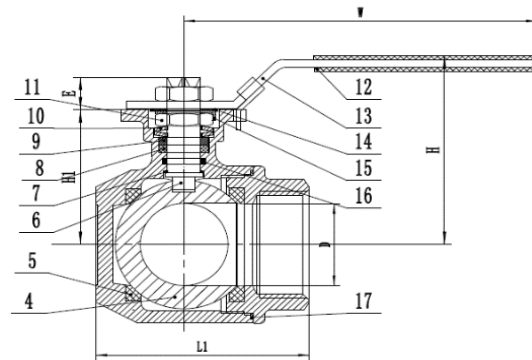
Ref.744/118

Switching Possibilities

Ball position			
Standard		Optional	
A	B	C	D
			
			

Standard: Flow can be switched from A to B.

Option: Handlever can be changed for switching from C to D.



DN	D	W ± 2	L ± 2	L1 ± 2	H ± 2	B	E ± 1	SI05211	H 1
1/4"	9	143	79	64	76	9	9	F04/03	42
3/8"	11	143	79	64	76	9	9	F04/03	42
1/2"	12.5	143	79	64	76	9	9	F04/03	42
3/4"	16	143	83	68	80	9	9	F04/03	49
1"	20	163	102	82	95	11	11	F05/04	59.5
1 1/4"	25	163	120	90	98	11	11	F05/04	63
1 1/2"	32	188	126	107	110	14	14	F07/05	73.5
2"	38	188	150	124	119	14	14	F07/05	82.8
2 1/2"	48	343	168	135	135	17	15.6	F07/10	103.5
3"	65	343	198	166	150	17	20	F07/10	118
4"	75	343	252	207	161	17	28	F07/10	130

All the components can be substituted with equivalent or higher-class materials.

DAVINCI VALVES LTD, is constantly looking at all ways of improving our products and services related to the water, fire and industry sector and therefore we reserve the right to change, without prior notice, any of the data contained here. Please contact our Technical Sales Department for detailed advice.

"For professionals who wants more"



DAVINCI
VALVES™