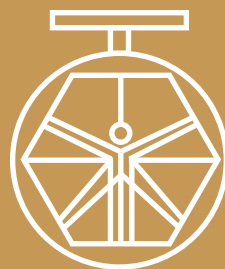


**GROUP 100
BALL VALVES
MOD. 743/44.2**



**DAVINCI
VALVES™**

**TECHNICAL
DATA SHEET**

INDUSTRY Series

**2 PIECE BALL VALVE CAST IRON FLANGED
END**

**DAVINCI
VALVES™**



**QUALITY
ASSUREMENT**

**DAVINCI
VALVES™**



**PRODUCT QT
ASSUREMENT**

**DAVINCI
VALVES™**



**COMPANY QT
ASSUREMENT**

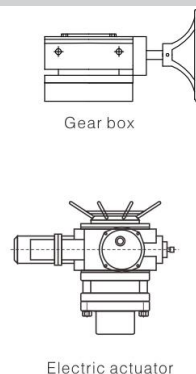
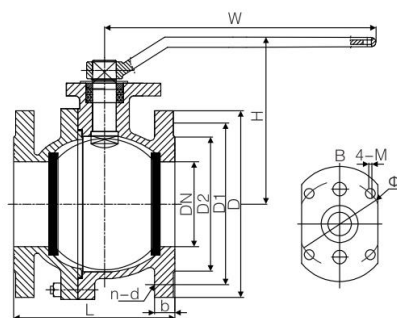
www.davincivalves.com

18 Dongyu Street, Square One,
11th Floor 1101, Jinjiang District,
Chengdu, Sichuan CHINA

10F/Tower A, Billion Center,
1 Wang Kwong Road, Kowloon Bay
Kowloon HONG KONG

2 PIECE BALL VALVE CAST IRON FLANGED END

Ref.743A / PN10/16/25/40



GENERAL CHARACTERISTICS:

Range from 1/2" up to 12" Full bore
 Design DIN3357 EN12516 F4 / F5 Flanges DIN2501 PN16
 Direct mounting ISO Flange ISO5211. Blow-out proof Stem
 Fire Safe Device ISO10497 & Anti-Static ISO 17292
 Manufacture acc. to the requirements of the EU directive
 2014/68/EU Equipment under pressure: Cat. III mod. H
 Inspection Testing API598 EN12266

WORKING CONDITIONS:

Maximum Working Pressure: PN16
 Max.Working Temperature: -20 °C / +120 °C
 Suitable Media: Water, Oil, Gas, others.
 Consult Factory for other applications

DN	L	D	D1	D2	b	n-d	H	W	φ	4-M
15	115	95	65	45	14	4-14	78	120	42	5
20	120	105	75	58	16	4-14	113	140	42	5
25	125	115	85	68	16	4-14	107	150	42	5
32	130	140	100	78	18	4-18	113	195	50	6
40	140	150	110	88	18	4-18	130	205	50	6
50	150	165	125	102	20	4-18	146	245	70	8
65	170	185	145	122	20	4-18	176	285	102	10
80	180	200	160	138	22	8-18	222	300	102	10
100	190	220	180	158	24	8-18	222	320	102	10
125	325	250	210	188	26	8-18	250	350	125	12
150	350	285	240	212	26	8-22	275	600	140	16
200	400	340	295	268	30	8-22	325	650	165	20
250	450	405	355	320	32	12-22	350	650	165	20
300	500	460	410	370	32	12-22	450	700	165	20

PN10

DN	L	D	D1	D2	b	n-d	H	W	φ	4-M
15	115	95	65	45	14	4-14	78	120	42	5
20	120	105	75	58	16	4-14	113	140	42	5
25	125	115	85	68	16	4-14	107	150	42	5
32	130	140	100	78	18	4-19	113	195	50	6
40	140	150	110	88	18	4-19	130	205	50	6
50	150	165	125	102	20	4-19	146	245	70	8
65	170	185	145	122	20	4-19	176	285	102	10
80	180	200	160	138	22	8-19	222	300	102	10
100	190	220	180	158	24	8-19	222	320	102	10
125	325	250	210	188	26	8-19	250	350	125	12
150	350	285	240	212	26	8-23	275	600	140	16
200	400	340	295	268	30	12-23	325	650	165	20
250	450	405	355	320	32	12-27	350	650	165	20
300	500	460	410	378	32	12-27	450	700	165	20

PN16

All the components can be substituted with equivalent or higher-class materials.

DAVINCI VALVES LTD, is constantly looking at all ways of improving our products and services related to the water, fire and industry sector and therefore we reserve the right to change, without prior notice, any of the data contained here. Please contact our Technical Sales Department for detailed advice.

© 2018 DAVINCI VALVES LTD.

www.davincivalves.com info@davincivalves.com +34 616553797 / +86 17340168233

"For professionals who wants more"



DAVINCI
VALVES™