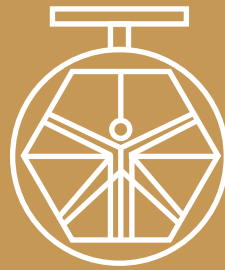


**GROUP 200
GATE VALVES
MOD. 200D/09**



**DAVINCI
VALVES™**

TECHNICAL DATA SHEET

WATER Series

**RESILIENT SEAT GATE VALVES
NON RISING STEM FLANGED END**

**DAVINCI
VALVES™**



**QUALITY
ASSUREMENT**

**DAVINCI
VALVES™**



**PRODUCT QT
ASSUREMENT**

**DAVINCI
VALVES™**



**COMPANY QT
ASSUREMENT**

www.davincivalves.com

18 Dongyu Street, Square One,
11th Floor 1101, Jinjiang District,
Chengdu, Sichuan CHINA

10F/Tower A, Billion Center,
1 Wang Kwong Road, Kowloon Bay
Kowloon HONG KONG

RESILIENT SEAT GATE VALVE NON-RISING STEM F4/F5 Ref.200D / PN 25

APPLICATION:

Potable water distribution and pumping,
sewage, irrigation, others

STANDARDS:

Design: DIN 3352
 Manufacture according to: EN 1074-2./GB/T12232-1989
 Face to Face: EN 558-1 Serie 14/15 (F4/F5)
 Mounting between flanges: PN25 EN 1092-2, ISO 7005-2.
 Pressure Test: EN 12266-1 Rate A. GB/T13927-1992
 Body: 37.5 bars. Seat: 27.5 bars.
 EU directive 2014/68/EU: Products excluded, article 1, § 2b up to ND300.

GENERAL CHARACTERISTICS:

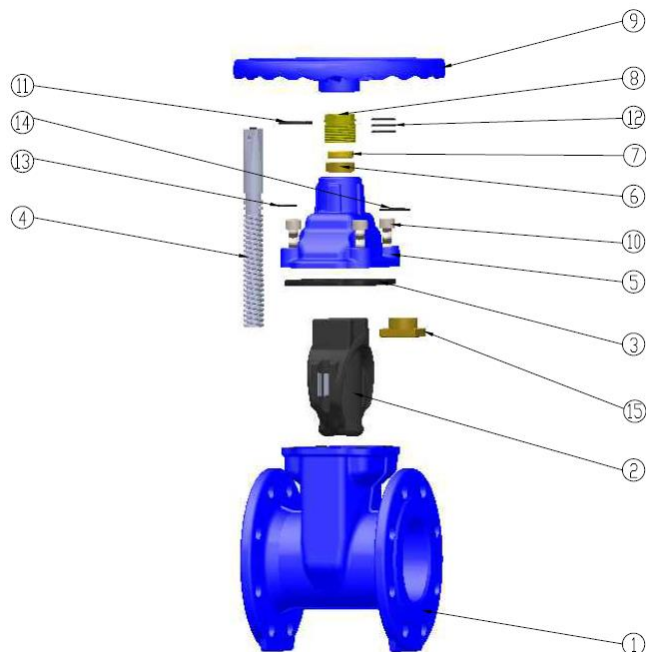
Range from ND40 up to ND300.
 Full bore. 100% Tightness in both ways.
 Minimum head loss.
 Repackable under pipeline pressure.
 Low torque values.
 Wras Epoxy paint 250 microns:



WORKING CONDITIONS:

Pressure Ratings: 2.5Mpa
 Working Temperature: -10C +80C
 Suitable Media: Water

Nº	ITEM	MATERIAL	STANDARD
1	Body	GJS500	DIN 1693
2	Disc	EPDM+GJS500	DIN 1693
3	Bonnet Gasket	NBR	ISO 4633
4	Stem	SS420	ASTM A959
5	Bonnet	GJS500	DIN 1693
6	Thrust Washer	CuZn39Pb1	EN 12167
7	Thrust	CuZn39Pb1	EN 12167
8	Thrust Nut	CuZn39Pb1	EN 12167
9	Hand whell	GJS500	ASTM A959
10	Bonnet bolts	CS8.8/A2-70	ASTM A959
11	O Ring	NBR	ISO 4633
12	O Ring	NBR	ISO 4633
13	O Ring	NBR	ISO 4633
14	O Ring	NBR	ISO 4633
15	Stem Nut	CuZn39Pb1	ISO 4633



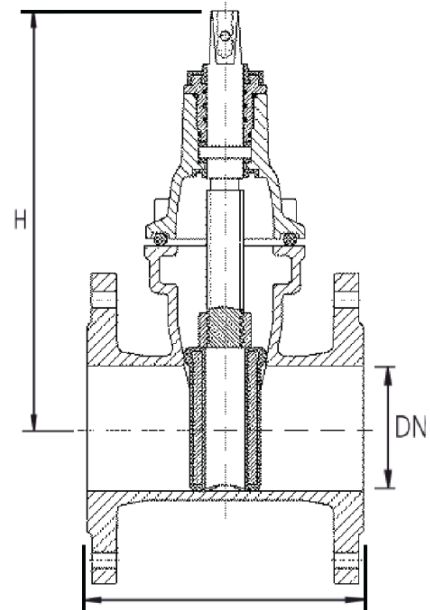
All the components can be substituted with equivalent or higher-class materials.

DAVINCI VALVES LTD, is constantly looking at all ways of improving our products and services related to the water, fire and industry sector and therefore we reserve the right to change, without prior notice, any of the data contained here. Please contact our Technical Sales Department for detailed advice.

© 2018 DAVINCI VALVES LTD.
 www.davincivalves.com info@davincivalves.com +34 616553797 / +86 17340168233
 18 Dongyu Street, Square One 11th Floor 1101. Jinjiang District, Chengdu, Sichuan Province, China

RESILIENT SEAT GATE VALVE NON-RISING STEM F4/F5 Ref.200D / PN 25

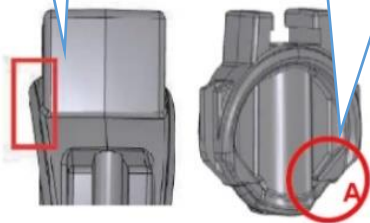
ND	L F4	L F5	H	Torque (N.m)	Weight KG
40	140	240	215	40	8,5
50	150	250	215	40	9
65	170	270	250	50	12
80	180	280	275	60	14
100	190	300	320	80	19
125	200	325	355	100	24
150	210	350	398	120	30
200	230	400	495	150	48
250	250	450	590	200	73
300	270	500	670	250	100



Liner Sealing face get better sealing & lower closing torque

Position A; Most of factories design is the same level to the sealing face. While when the valve closed, the increasing inlet pressure will push the disc out and press to the valve body, which will cut the disc rubber of position "A" for long term use. Our design aware this defect and innovate the current design to avoid such damage, thus enlarge the disc service life

O Rings can change under pressure



All the components can be substituted with equivalent or higher-class materials.

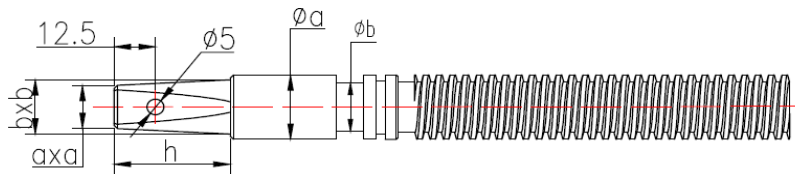
DAVINCI VALVES LTD, is constantly looking at all ways of improving our products and services related to the water, fire and industry sector and therefore we reserve the right to change, without prior notice, any of the data contained here. Please contact our Technical Sales Department for detailed advice.

© 2018 DAVINCI VALVES LTD.
www.davincivalves.com info@davincivalves.com +34 616553797 / +86 17340168233
18 Dongyu Street, Square One 11th Floor 1101. Jinjiang District, Chengdu, Sichuan Province, China

RESILIENT SEAT GATE VALVE NON-RISING STEM F4/F5

Ref.200D / PN 25

Thicker Shaft to support 3MOT according EN1074-2

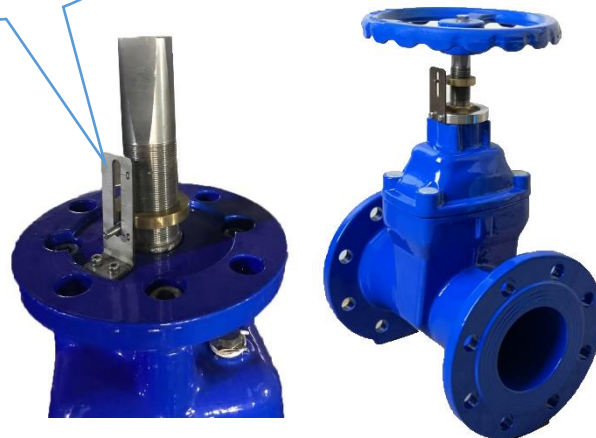


	DN50	DN65	DN80	DN100	DN125	DN150	DN200	DN250	DN300
ϕb	$\phi 14$	$\phi 16$	$\phi 16$	$\phi 18$	$\phi 19$	$\phi 19$	$\phi 25$	$\phi 27$	$\phi 27$
ϕa	$\phi 18$	$\phi 21$	$\phi 21$	$\phi 24$	$\phi 26$	$\phi 26$	$\phi 32$	$\phi 34$	$\phi 34$
axa	14x14	17x17	17x17	19x19	19x19	19x19	24x24	27x27	27x27
bx b	17, 3x17, 3	20, 7x20, 7	20, 7x20, 7	23, 2x23, 2	23, 2x23, 2	23, 2x23, 2	28, 7x28, 7	31, 7x31, 7	31, 7x31, 7
h	32	35	35	40	40	40	45	45	45

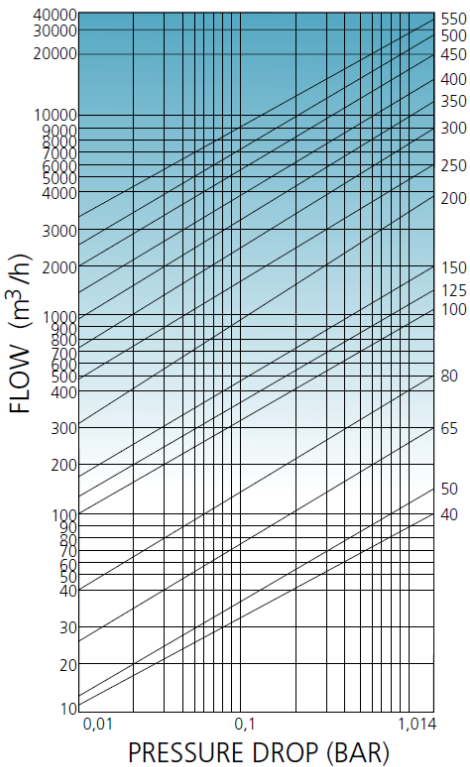
SPECIAL FEATURES:

- ✓ 4 O-rings on stem (total 6 o-rings in bonnet)
- ✓ The upper 3 o-rings can be replaced online under pressure when valve fully open
- ✓ Liner Sealing face get better sealing & lower closing torque
- ✓ Completely free and full bore self clearing & low pressure loss.
- ✓ Thrust washer-Brass material to get more reliable strength and long service life

Optional Position Indicator



FLOW CHARACTERISTIC CHARTS



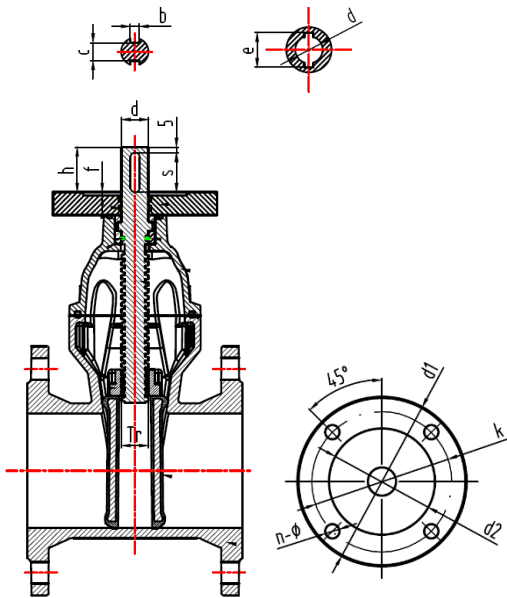
All the components can be substituted with equivalent or higher-class materials.

DAVINCI VALVES LTD, is constantly looking at all ways of improving our products and services related to the water, fire and industry sector and therefore we reserve the right to change, without prior notice, any of the data contained here. Please contact our Technical Sales Department for detailed advice.

© 2018 DAVINCI VALVES LTD.
 www.davincivalves.com info@davincivalves.com +34 616553797 / +86 17340168233
 18 Dongyu Street, Square One 11th Floor 1101. Jinjiang District, Chengdu, Sichuan Province, China

RESILIENT SEAT GATE VALVE NON-RISING STEM F4/F5 Ref.200D / PN 25

ISO FLANGE OPTION TO INSTALL ACTUATORS



ND	d1	k	n-ø	d2	f	d-ø	h	s	b	c	e	H	ISO type	Nº Turns	Torque
40	125	110	4-19	71	3	18	40	35	6	14,5	20,8	160	F10	9	40
50	125	125	4-19	71	3	18	40	35	6	14,5	20,8	160	F10	9	40
65	125	145	8-19	71	3	21	40	35	6	17,5	23,8	190	F10	10	50
80	125	160	8-19	71	3	21	40	35	6	17,5	23,8	210	F10	12	60
100	125	190	8-23	71	3	24	40	35	8	20	27,3	250	F10	12	80
125	150	220	8-28	86	3	26	50	45	8	22	29,3	290	F12	14,5	100
150	150	250	8-28	86	3	26	50	45	8	22	29,3	330	F12	17	120
200	150	310	12-28	86	3	32	50	45	10	27	35,3	420	F12	18,5	150
250	175	370	12-31	101	4	34	55	50	10	29	37,3	515	F14	23	200
300	175	430	16-31	101	4	34	55	50	10	29	37,3	595	F14	27	250

All the components can be substituted with equivalent or higher-class materials.

DAVINCI VALVES LTD, is constantly looking at all ways of improving our products and services related to the water, fire and industry sector and therefore we reserve the right to change, without prior notice, any of the data contained here. Please contact our Technical Sales Department for detailed advice.

© 2018 DAVINCI VALVES LTD.
www.davincivalves.com info@davincivalves.com +34 616553797 / +86 17340168233
18 Dongyu Street, Square One 11th Floor 1101. Jinjiang District, Chengdu, Sichuan Province, China

RESILIENT SEAT GATE VALVE NON-RISING STEM F4/F5 Ref.200D / PN 25

ALL TYPE GEAR BOX AVAILABLE

We provide customize solutions according customer needs

- ✚ Vertical Gear box to Operate with Key or Spindle extension
- ✚ Horizontal Output For Actuators
- ✚ With 1 phase or 2 Phase for different reductions

Vertical Gear box 1
Phase



Horizontal Gear box
1 Phase



Horizontal Gear box
2 Phase



Vertical Gear box 2
Phase



All the components can be substituted with equivalent or higher-class materials.

DAVINCI VALVES LTD, is constantly looking at all ways of improving our products and services related to the water, fire and industry sector and therefore we reserve the right to change, without prior notice, any of the data contained here. Please contact our Technical Sales Department for detailed advice.

© 2018 DAVINCI VALVES LTD.
www.davincivalves.com info@davincivalves.com +34 616553797 / +86 17340168233
18 Dongyu Street, Square One 11th Floor 1101. Jinjiang District, Chengdu, Sichuan Province, China

"For professionals who wants more"



DAVINCI
VALVES™