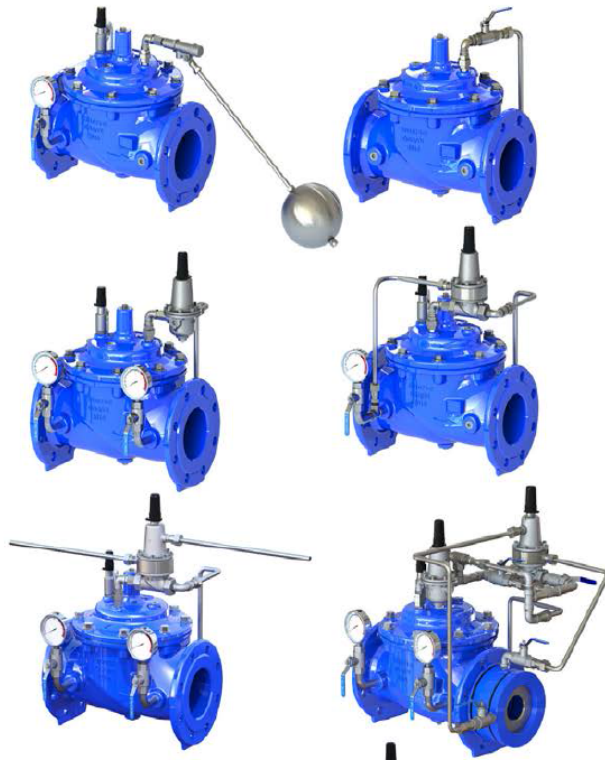




DAVINCI
VALVES™



GROUP 7 AUTOMATIC CONTROL VALVES

WATER Series

COLLECTION

AUTOMATIC
CONTROL VALVES

DAVINCI
VALVES™



QUALITY
ASSUREMENT

DAVINCI
VALVES™



PRODUCT QT
ASSUREMENT

DAVINCI
VALVES™

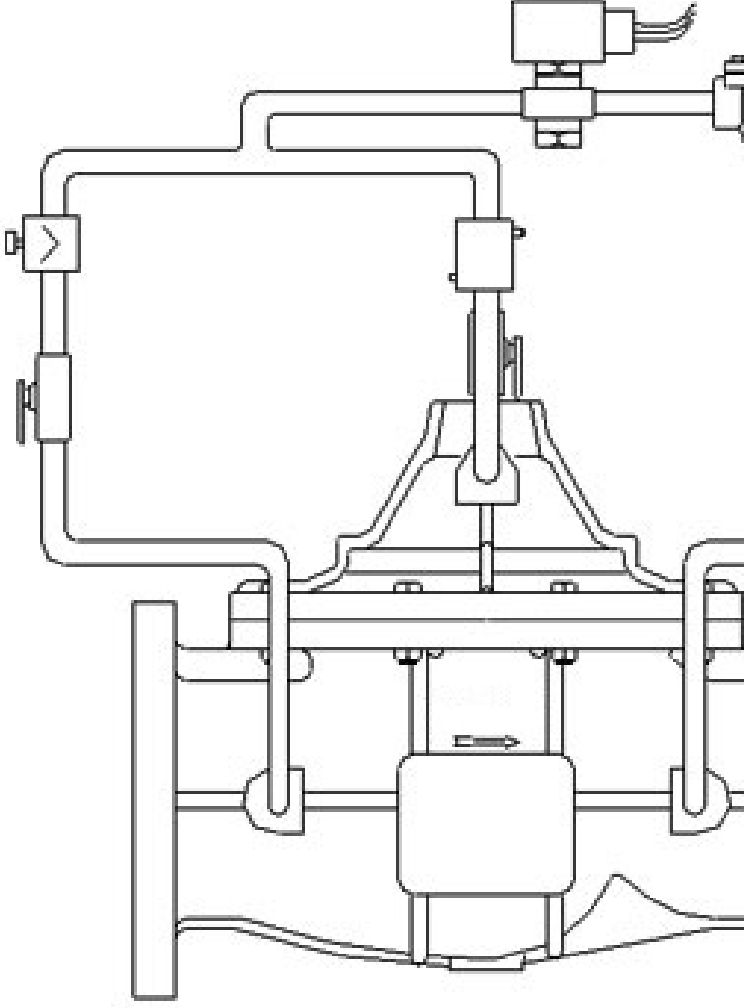


COMPANY QT
ASSUREMENT

www.davincivalves.com



DAVINCI
VALVES™



COLLECTION AUTOMATIC CONTROL VALVES

AUTOMATIC CONTROL VALVES PN10/16/25 ref.510A / PN 10-16-ANSI150#

Automatic Control Valve

The 500 series automatic control valves are Basic Valves to provide hydraulically driven solutions to pressure, flow and level control applications.

Features:

- Top and seat ring guided stem and diaphragm assembly for long life and reliability.
- All iron components are fusion epoxy bonded for corrosion resistance.
- Easy maintenance without removal from the main line.
- Nylon reinforced diaphragm for long term service.
- Drip tight shut off.
- Globe design for superior control characteristics.
- Ductile iron bodies for higher strength and durability.
- Corrosion resistant stainless-steel seat and disc retainer ring.
- Various pilots and accessories available for configuration into many different applications.
- Special V-Port and double chamber are options, please consult factory.
- Meet standards BS EN 1074-5, ISO 5208, BS EN 12266-1, BS EN 558-1,

General Application:

For pressure, flow and level control in water applications.

Technical Data:

Size Range: DN50~DN1000mm Pressure Ratings: 1.0Mpa; 1.6Mpa; 2.5Mpa Working Temperature: -800C Suitable Media: Water
End connection: PN 10/ PN 16/ PN 25 Consult Fa for other applications



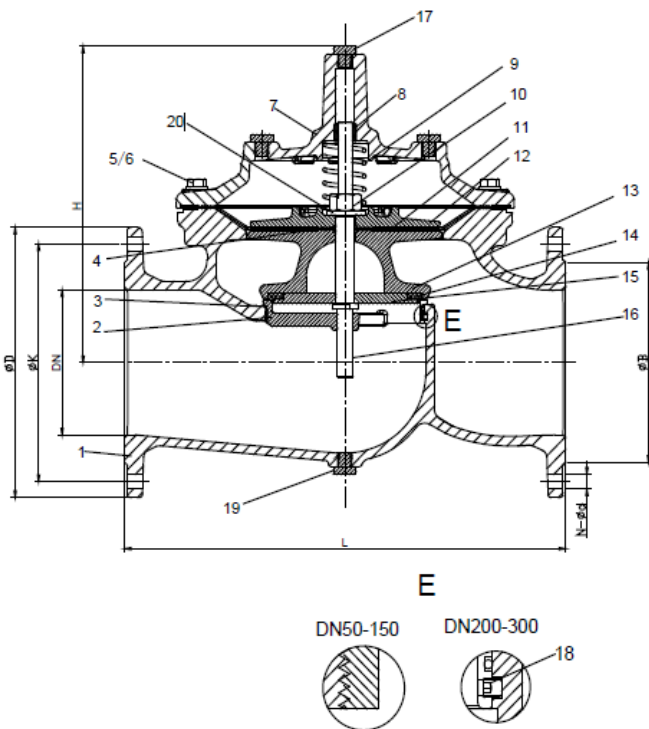
All the components can be substituted with equivalent or higher-class materials.

DAVINCI VALVES LTD, is constantly looking at all ways of improving our products and services related to the water, fire and industry sector and therefore we reserve the right to change, without prior notice, any of the data contained here. Please contact our Technical Sales Department for detailed advice.
© 2018 DAVINCI VALVES LTD.

www.davincivalves.com info@davincivalves.com +34 616553797 / +86 17340168233
18 Dongyu Street, Square One 11th Floor 1101. Jinjiang District, Chengdu, Sichuan Province, China

AUTOMATIC CONTROL VALVES PN10/16/25 ref.510A / PN 10-16-ANSI150#

DN50-DN350



No.	Part	Material	Standard
1	Body	Ductile Iron	GJS 500-7
2	Seat	Stainless Steel	AISI 304/316
3	O-ring	Rubber	NBR
4	O-ring	Rubber	NBR
5	Bolt	Stainless Steel	A2/A4
6	Washer	Stainless Steel	A2/A4
7	Bonnet	Ductile Iron	GJS 500-7
8	Bush	Bronze	C61900
9	Spring	Stainless Steel	AISI 304/316
10	Caulking Nut	Stainless Steel	A4
11	Diaphragm	Nylon Reinforced Rubber	EPDM+Nylon Fabric
12	Fixing holder	Ductile Iron	GJS 500-7
13	Disc Holder	Ductile Iron	GJS 500-7
14	Seal	Rubber	EPDM
15	Retainer	Stainless Steel	AISI 304/316
16	Stem	Stainless Steel	AISI 304/316
17	Plug	Stainless Steel	AISI 304/316
18	Screw	Stainless Steel	A2/A4
19	Plug	Stainless Steel	A2/A4
20	Washer	Stainless Steel	A2/A4

DN	Model Code	L	φD			φK			H	N-φd			φB		
			PN10	PN16	PN25	PN10	PN16	PN25		PN10	PN16	PN25	PN10	PN16	PN25
50	A900-0050	230	165	165	165	125	125	125	177	4-19	4-19	4-19	99	99	99
65	A900-0065	290	185	185	185	145	145	145	202	4-19	4-19	8-19	118	118	118
80	A900-0080	310	200	200	200	160	160	160	219	8-19	8-19	8-19	132	132	132
100	A900-00100	350	220	220	235	180	180	190	243	8-19	8-19	8-23	156	156	156
*125	A900-00125	400	250	250	270	210	210	220	243	8-19	8-19	8-28	156	156	156
150	A900-00150	480	285	285	300	240	240	250	333	8-23	8-23	8-28	211	211	211
200	A900-00200	600	340	340	360	295	295	310	428	8-23	12-23	12-28	266	266	274
250	A900-00250	730	405	405	425	350	355	370	478	12-23	12-28	12-31	319	319	330
300	A900-00300	850	460	460	485	400	410	430	538	12-23	12-28	16-31	370	370	389
*350	A900-00350	980	520	520	555	460	470	490	550	16-23	16-28	16-34	429	429	448

NOTE: 1. *DN 125/350 use same internal as DN 100/300

2. AISI 304 factory standard material. Consult factory for AISI 316 material

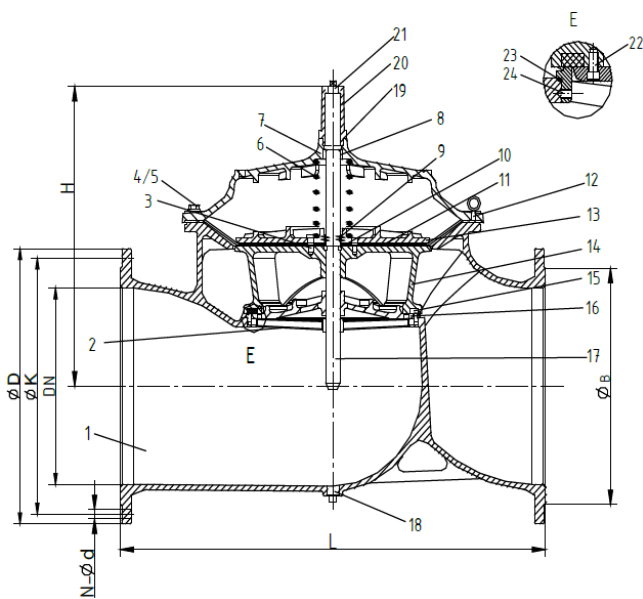
All the components can be substituted with equivalent or higher-class materials.

DAVINCI VALVES LTD, is constantly looking at all ways of improving our products and services related to the water, fire and industry sector and therefore we reserve the right to change, without prior notice, any of the data contained here. Please contact our Technical Sales Department for detailed advice.
© 2018 DAVINCI VALVES LTD.

www.davincivalves.com info@davincivalves.com +34 616553797 / +86 17340168233
18 Dongyu Street, Square One 11th Floor 1101. Jinjiang District, Chengdu, Sichuan Province, China

AUTOMATIC CONTROL VALVES PN10/16/25 ref.510A / PN 10-16-ANSI150#

A900-Main Valve DN400-DN800



No.	Part	Material	Standard
1	Body	Ductile Iron	GJS 500-7
2	Seat	Stainless Steel	AISI 304/316
3	Screw	Stainless Steel	A2/A4
4	Screw	Stainless Steel	A2/A4
5	Screw	Stainless Steel	A2/A4
6	Spring	Stainless Steel	AISI 304/316
7	Bonnet	Ductile Iron	GJS 500-7
8	Bush	Bronze	C61900
9	O-ring	Rubber	NBR
10	Fix Washer	Bronze	C61900
11	Diaphragm	Nylon Reinforced Rubber	EPDM+Nylon Fabric
12	Eye Bolts	Carbon Steel	1040
Fixing			
13	Holder	Ductile Iron	GJS 500-7
14	Disc Holder	Ductile Iron	GJS 500-7
15	Seal	Rubber	EPDM
16	Retainer	Ductile Iron	GJS 500-7
17	Stem	Stainless Steel	AISI 304/316
18	Plug	Stainless Steel	AISI 304/316
19	O-ring	Rubber	NBR
20	Cap	Ductile Iron	GJS 500-7
21	Plug	Stainless Steel	AISI 304/316
22	Screw	Stainless Steel	A2/A4
23	O-ring	Rubber	NBR
24	Screw	Stainless Steel	A2/A4

NOTE: 1. *means reduced bore

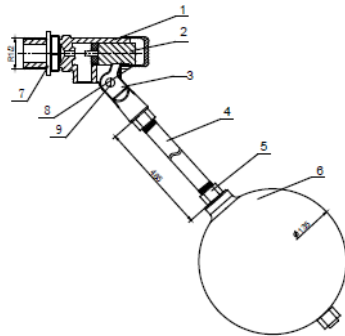
DN	L	H	φD			φK			N-φd			φB		
			PN10	PN16	PN25	PN10	PN16	PN25	PN10	PN16	PN25	PN10	PN16	PN25
400	1100	710	580	580	620	515	525	500	16-28	16-31	16-37	480	480	503
*450	1200	720	640	640	670	565	585	600	20-28	20-31	20-37	530	548	548
500	1250	822	715	715	730	620	650	660	20-28	20-34	20-37	582	609	609
600	1450	885	840	840	845	725	770	770	20-31	20-37	20-40	682	720	720
700	1650	910	910	910	960	840	840	875	24-31	24-37	24-43	682	720	720
800	1850	1260	1025	1025	1085	950	950	990	24-34	24-40	24-49	901	901	928
*900	1850	1260	1125	1125		1050	1050		28-34	28-40		1001	1001	
*1000	1850	1260	1255	1255		1160	1170		28-37	28-43		1112	1112	

All the components can be substituted with equivalent or higher-class materials.

DAVINCI VALVES LTD, is constantly looking at all ways of improving our products and services related to the water, fire and industry sector and therefore we reserve the right to change, without prior notice, any of the data contained here. Please contact our Technical Sales Department for detailed advice.
© 2018 DAVINCI VALVES LTD.

www.davincivalves.com info@davincivalves.com +34 616553797 / +86 17340168233
18 Dongyu Street, Square One 11th Floor 1101. Jinjiang District, Chengdu, Sichuan Province, China

AUTOMATIC CONTROL VALVES PN10/16/25 ref.510A / PN 10-16-ANSI150#

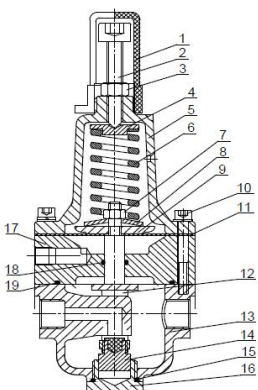


P100-Float Pilot



No.	Part	Material	Standard
1	Body	Stainless Steel	AISI 304
2	Disc	Stainless Steel+Rubber	AISI 304+EPDM
3	Yoke	Stainless Steel	AISI 304
4	Rod	Stainless Steel	AISI 304
5	Nut	Stainless Steel	AISI 304
6	Float	Stainless Steel	AISI304
7	Jam Nut	Stainless Steel	A2
8	Bonnet	Stainless Steel	A2
9	Screw	Stainless Steel	A2

P20A Anticipation Pilot (Preaction)



No.	Part	Material	Standard
1	Cap	Plastic	ABS
2	Adjusting Screw	Stainless Steel	AISI 304
3	Jam Nut	Stainless Steel	A2
4	Spring Table	Stainless Steel	AISI 304
5	Bonnet	Stainless Steel	AISI 304
6	Spring	Spring Steel	SiCrV
7	Nut	Stainless Steel	A2
8	Spring Table	Spring Steel	Mn-steel+Ni Plated
9	Fixing holder	Stainless Steel	AISI 304
10	Screw	Stainless Steel	A2
11	Diaphragm	Rubber	NBR+Nylon
12	Yoke	Stainless Steel	AISI 304
13	Body	Stainless Steel	AISI 304
14	Disc	Stainless Steel+Rubber	AISI 304+EPDM
15	O-Ring	Rubber	NBR
16	Plug	Stainless Steel	AISI 304
17	Internal Body	Stainless Steel	AISI 304
18	O-Ring	Rubber	NBR
19	O-Ring	Rubber	NBR

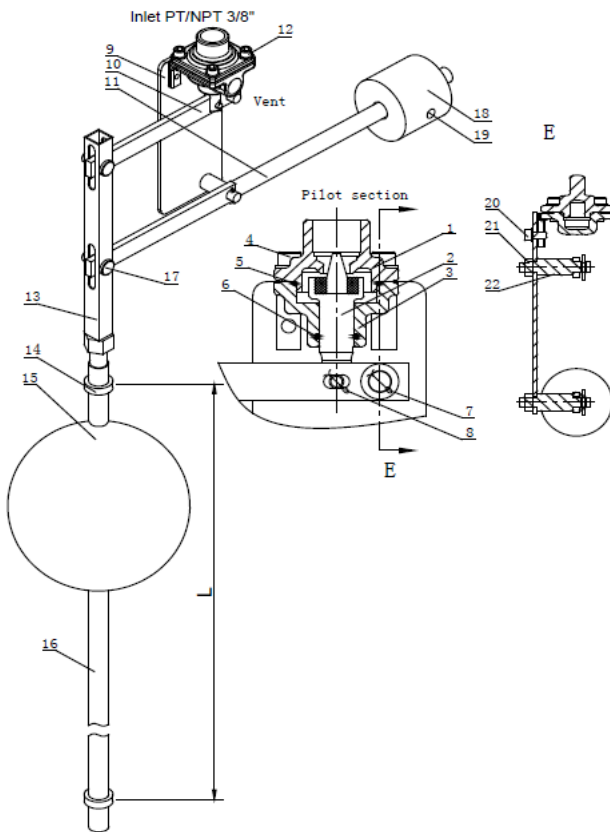
All the components can be substituted with equivalent or higher-class materials.

DAVINCI VALVES LTD, is constantly looking at all ways of improving our products and services related to the water, fire and industry sector and therefore we reserve the right to change, without prior notice, any of the data contained here. Please contact our Technical Sales Department for detailed advice.
© 2018 DAVINCI VALVES LTD.

www.davincivalves.com info@davincivalves.com +34 616553797 / +86 17340168233
18 Dongyu Street, Square One 11th Floor 1101. Jinjiang District, Chengdu, Sichuan Province, China

AUTOMATIC CONTROL VALVES PN10/16/25 ref.510A / PN 10-16-ANSI150#

P10B Bi-Level float pilot



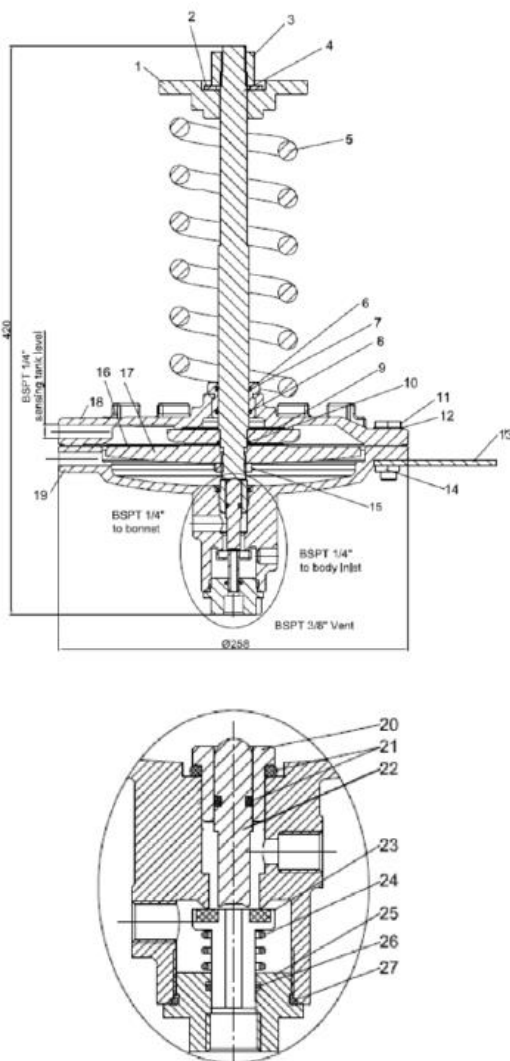
No.	Part	Material	Standard
1	Bonnet	Stainless Steel	AISI 304
2	Disc	Stainless Steel+Rubber	AISI 304+EPDM
3	Body	Stainless Steel	AISI 304
4	Bolt+Washer	Stainless Steel	A2
5	O-Ring	Rubber	NBR
6	O-Ring	Rubber	NBR
7	Split Pin	Stainless Steel	A2
8	Split Pin	Stainless Steel	A2
9	Plate	Stainless Steel	AISI 304
10	Bar 1	Stainless Steel	AISI 304
11	Bar 2	Stainless Steel	AISI 304
12	Screw	Stainless Steel	AISI 304
13	Up Rod	Stainless Steel	AISI 304
14	Stop Collar	Stainless Steel	AISI 304
15	Float	Stainless Steel	AISI 304
16	Low Rod	Stainless Steel	AISI 304
17	Pin roll&split pin	Stainless Steel	A2
18	Weight	Stainless Steel	AISI 304
19	Set Screw	Stainless Steel	A2
20	Nut+Washer	Stainless Steel	A2
21	Nut	Stainless Steel	A2
22	Roller	Stainless Steel	AISI 304

All the components can be substituted with equivalent or higher-class materials.

DAVINCI VALVES LTD, is constantly looking at all ways of improving our products and services related to the water, fire and industry sector and therefore we reserve the right to change, without prior notice, any of the data contained here. Please contact our Technical Sales Department for detailed advice.
© 2018 DAVINCI VALVES LTD.

AUTOMATIC CONTROL VALVS PN10/16/25 ref.510A / PN 10-16-ANSI150#

P10A Altitude Pilot



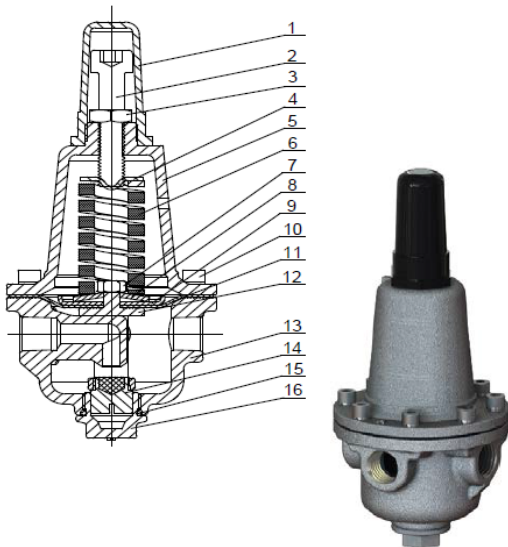
No.	Part	Material	Standard
1	Pressure Plate	Stainless Steel	AISI 304
2	Washer	Stainless Steel	AISI 304
3	Adjusting Nut	Brass	CZ122
4	Upper Stem	Stainless Steel	AISI 304
5	Spring	Spring Steel	Mn-Steel+Ni
6	Bush	Brass	CZ122
7	O-Ring	Rubber	NBR
8	O-Ring	Rubber	NBR
9	Fixing Holder	Stainless Steel	AISI 304
10	O-Ring	Rubber	NBR
11	Diaphragm	Nylon Reinforced Rubber	EPDM+Nylon
12	Diaphragm Retainer	Stainless Steel	AISI 304
13	Connecting Plate	Stainless Steel	AISI 304
14	Stem Nut	Stainless Steel	AISI 304
15	Screw	Stainless Steel	AISI 304
16	Washer	Stainless Steel	AISI 304
17	Bonnet	Stainless Steel	AISI 304
18	Body	Stainless Steel	AISI 304
19	Nut	Stainless Steel	AISI 304
20	Nut	Brass	CZ122
21	O-Ring	Rubber	NBR
22	Shaft	Stainless Steel	AISI 304
23	Disc	Stainless Steel+Rubber	A304+EPDM
24	Spring	Stainless Steel	AISI 304
25	Plug	Brass	CZ122
26	O-Ring	Rubber	NBR
27	O-Ring	Rubber	NBR

All the components can be substituted with equivalent or higher-class materials.

DAVINCI VALVES LTD, is constantly looking at all ways of improving our products and services related to the water, fire and industry sector and therefore we reserve the right to change, without prior notice, any of the data contained here. Please contact our Technical Sales Department for detailed advice.
© 2018 DAVINCI VALVES LTD.

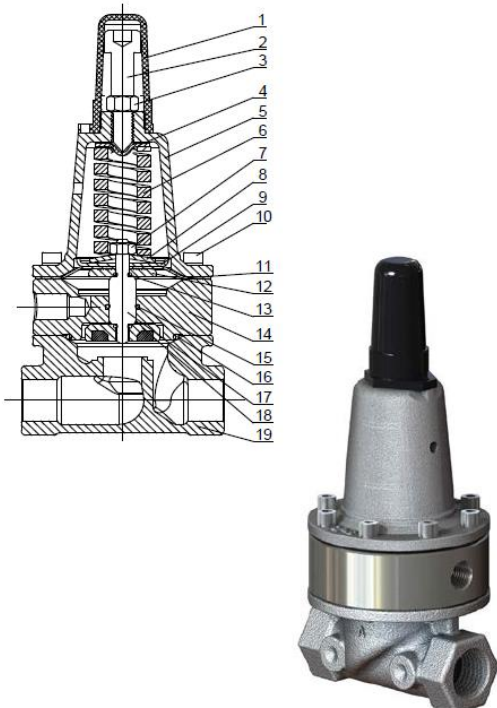
AUTOMATIC CONTROL VALVES PN10/16/25 ref.510A / PN 10-16-ANSI150#

P200-Reducing Pilot



No.	Part	Material	Standard
1	Cap	Plastic	ABS
2	Adjusting Screw	Stainless Steel	AISI 304
3	Jam Nut	Stainless Steel	A2
4	Spring Table	Stainless Steel	AISI 304
5	Bonnet	Stainless Steel	AISI 304
6	Spring	Spring Steel	SiCrV
7	Nut	Stainless Steel	A2
8	Spring Table	Spring Steel	Mn-Steel+Ni Plated
9	Fixing Holder	Stainless Steel	AISI 304
10	Screw	Stainless Steel	A2
11	Diaphragm	Nylon Reinforced Rubber	EPDM+Nylon
12	Yoke	Stainless Steel	AISI 304
13	Body	Stainless Steel	AISI 304
14	Disc	Stainless Steel+Rubber	AISI 304+EPDM
15	O-Ring	Rubber	NBR
16	Plug	Stainless Steel	AISI 304

P500-Relief/Sustaining Pilot



No.	Part	Material	Standard
1	Cap	Plastic	ABS
2	Adjusting Screw	Stainless Steel	AISI 304
3	Jam Nut	Stainless Steel	AISI 304
4	Spring Table	Stainless Steel	AISI 304
5	Bonnet	Stainless Steel	AISI 304
6	Spring	Spring Steel	SiCrV
7	Nut	Stainless Steel	A2
8	Spring Table	Spring Steel	Mn-Steel+Ni Plated
9	Fixing Holder	Stainless Steel	AISI 304
10	Screw	Stainless Steel	A2
11	Diaphragm	Nylon Reinforced Rubber	EPDM+Nylon
12	Gasket	Stainless Steel	AISI 304
13	O-Ring	Rubber	NBR
14	Internal Body	Stainless Steel	AISI 304
15	O-Ring	Rubber	NBR
16	O-Ring	Rubber	NBR
17	Stem	Stainless Steel	AISI 304
18	Disc	Stainless Steel+Rubber	AISI 304+EPDM
19	Body	Stainless Steel	AISI 304

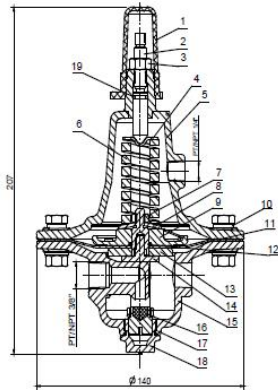
All the components can be substituted with equivalent or higher-class materials.

DAVINCI VALVES LTD, is constantly looking at all ways of improving our products and services related to the water, fire and industry sector and therefore we reserve the right to change, without prior notice, any of the data contained here. Please contact our Technical Sales Department for detailed advice.
© 2018 DAVINCI VALVES LTD.

www.davincivalves.com info@davincivalves.com +34 616553797 / +86 17340168233
18 Dongyu Street, Square One 11th Floor 1101. Jinjiang District, Chengdu, Sichuan Province, China

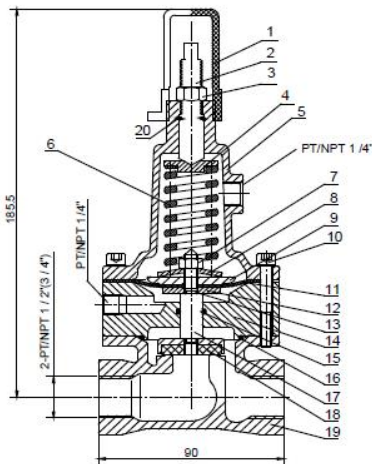
AUTOMATIC CONTROL VALVES PN10/16/25 ref.510A / PN 10-16-ANSI150#

P400-Flow Rate Control Pilot



No.	Part	Material	Standard
1	Cap	Plastic	ABS
2	Adjusting Screw	Stainless Steel	AISI 304
3	Jam Nut	Stainless Steel	AISI 304
4	Spring Table	Stainless Steel	AISI 304
5	Bonnet	Stainless Steel	AISI 304
6	Spring	Spring Steel	SiCrV
7	Nut	Stainless Steel	A2
8	Spring Table	Spring Steel	Mn-Steel+Ni Plated
9	Fixing Holder	Stainless Steel	AISI 304
10	Screw	Stainless Steel	A2
11	Diaphragm	Nylon Reinforced Rubber	EPDM+Nylon
12	O-Ring	Rubber	NBR
13	Gasket	Stainless Steel	AISI 304
14	Stem	Stainless Steel	AISI 304
15	Body	Stainless Steel	AISI 304
16	Disc	Stainless Steel+Rubber	AISI 304+EPDM
17	O-Ring	Rubber	NBR
18	Plug	Stainless Steel	AISI 304
19	O-Ring	Rubber	NBR

P800 Differential Pressure Pilot



No.	Part	Material	Standard
1	Cap	Plastic	ABS
2	Adjusting Screw	Stainless Steel	AISI 304
3	Jam Nut	Stainless Steel	AISI 304
4	Spring Table	Stainless Steel	AISI 304
5	Bonnet	Stainless Steel	AISI 304
6	Spring	Spring Steel	SiCrV
7	Nut	Stainless Steel	A2
8	Spring Table	Spring Steel	Mn-Steel+Ni Plated
9	Fixing Holder	Stainless Steel	AISI 304
10	Screw	Stainless Steel	A2
11	Diaphragm	Nylon Reinforced Rubber	EPDM+Nylon
12	Gasket	Stainless Steel	AISI 304
13	O-Ring	Rubber	NBR
14	Internal Body	Stainless Steel	AISI 304
15	O-Ring	Rubber	NBR
16	O-Ring	Rubber	NBR
17	Stem	Stainless Steel	AISI 304
18	Disc	Stainless Steel+Rubber	AISI 304+EPDM
19	Body	Stainless Steel	AISI 304
20	O-Ring	Rubber	NBR

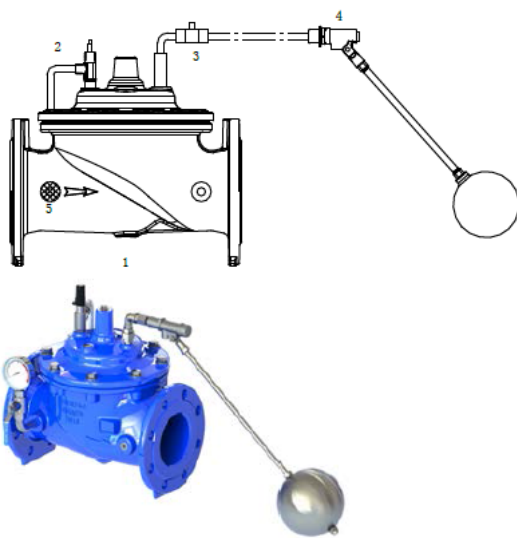
All the components can be substituted with equivalent or higher-class materials.

DAVINCI VALVES LTD, is constantly looking at all ways of improving our products and services related to the water, fire and industry sector and therefore we reserve the right to change, without prior notice, any of the data contained here. Please contact our Technical Sales Department for detailed advice.
© 2018 DAVINCI VALVES LTD.

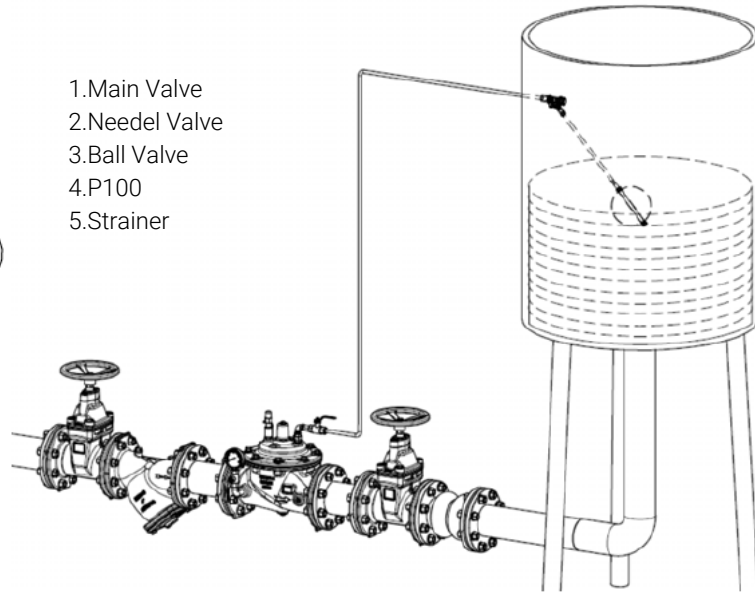
www.davincivalves.com info@davincivalves.com +34 616553797 / +86 17340168233
18 Dongyu Street, Square One 11th Floor 1101. Jinjiang District, Chengdu, Sichuan Province, China

AUTOMATIC CONTROL VALVS PN10/16/25 ref.510A / PN 10-16-ANSI150#

A100 Remote Float Control Valve

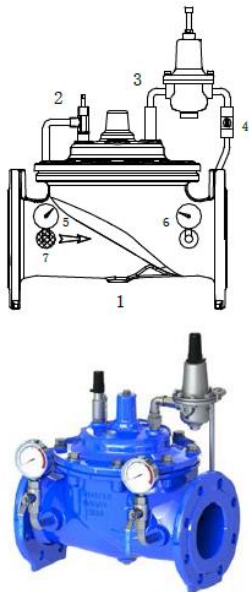


- 1.Main Valve
- 2.Needle Valve
- 3.Ball Valve
- 4.P100
- 5.Strainer



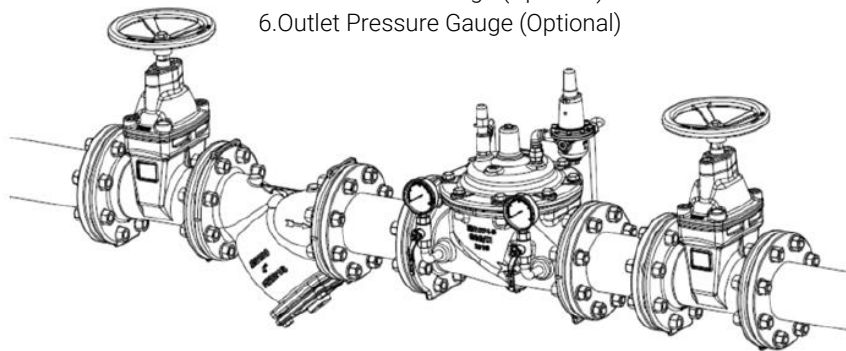
Function:

When water level reaches high water level, the float pilot will shut off and close the main valve. Whenever the water level drops, the float pilot starts to open and main valve opens.



A200 Pressure Reducing Valve

- 1.Main Valve
- 2.Needle Valve
- 3.P200
- 4.Ball Valve
- 5.Inlet Pressure Gauge (Optional)
- 6.Outlet Pressure Gauge (Optional)



Function:

Will reduce the higher upstream pressure and keep the downstream pressure as the pilot setting (adjustable). Regardless of variation of upstream pressure or downstream flow.

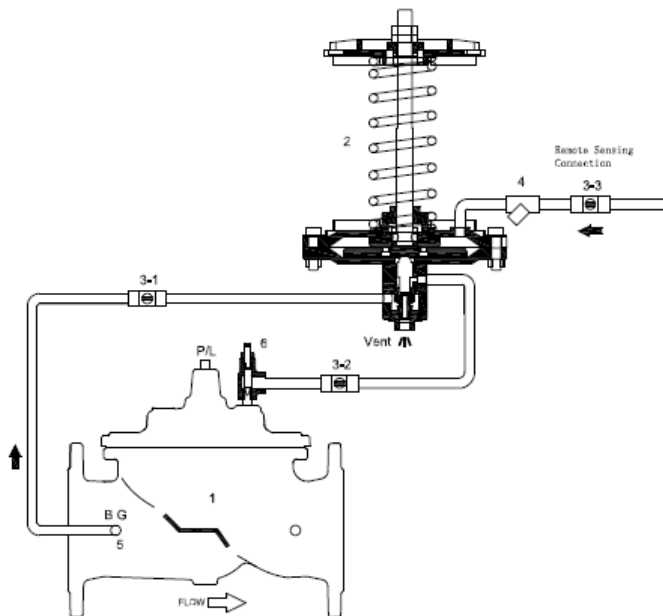
All the components can be substituted with equivalent or higher-class materials.

DAVINCI VALVES LTD, is constantly looking at all ways of improving our products and services related to the water, fire and industry sector and therefore we reserve the right to change, without prior notice, any of the data contained here. Please contact our Technical Sales Department for detailed advice.
© 2018 DAVINCI VALVES LTD.

www.davincivalves.com info@davincivalves.com +34 616553797 / +86 17340168233
18 Dongyu Street, Square One 11th Floor 1101. Jinjiang District, Chengdu, Sichuan Province, China

AUTOMATIC CONTROL VALVES PN10/16/25 ref.510A / PN 10-16-ANSI150#

A10A Altitude Control Valve-Two Way

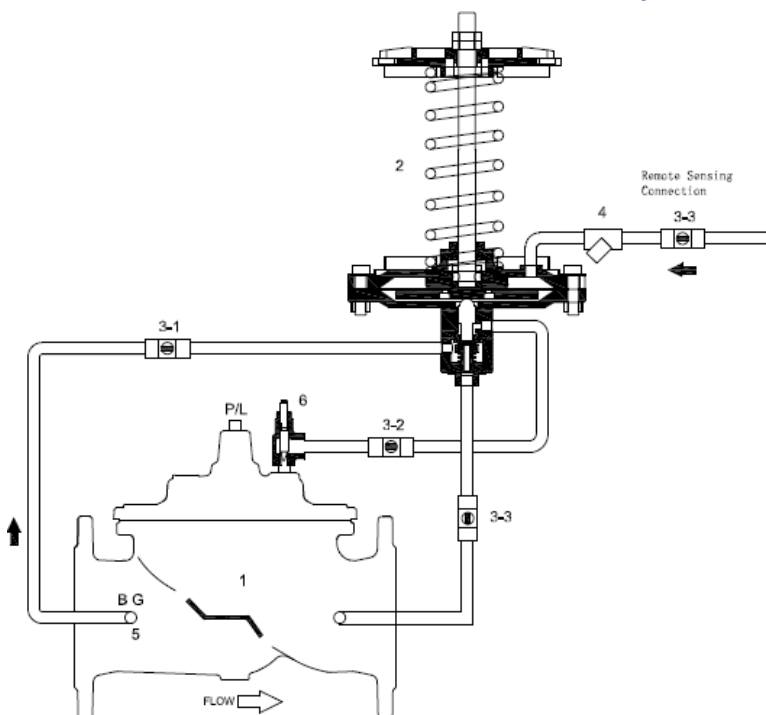


1. Main Valve
2. P10A
3. Ball Valve
4. Y-Strainer
5. Strainer
6. Needle Valve

Function:

1. When water level reaches high water level, the altitude pilot will shut off and close the main valve.
2. Whenever the water level drops, the altitude pilot starts to open and main valve opens.
3. Water can reverse back.

A10A Altitude Control Valve-One Way



1. Main Valve
2. P10A
3. Ball Valve
4. Y-Strainer
5. Strainer
6. Needle Valve

Function:

1. When water level reaches high water level, the altitude pilot will shut off and close the main valve.
2. Whenever the water level drops, the altitude pilot starts to open and main valve opens.
3. Water cannot reverse back-with check function.

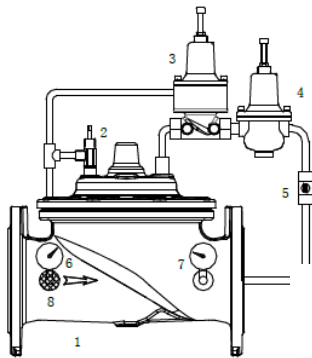
All the components can be substituted with equivalent or higher-class materials.

DAVINCI VALVES LTD, is constantly looking at all ways of improving our products and services related to the water, fire and industry sector and therefore we reserve the right to change, without prior notice, any of the data contained here. Please contact our Technical Sales Department for detailed advice.
© 2018 DAVINCI VALVES LTD.

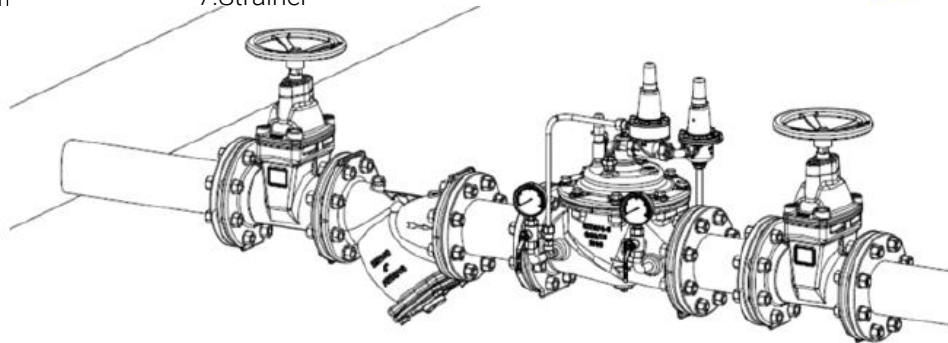
www.davincivalves.com info@davincivalves.com +34 616553797 / +86 17340168233
18 Dongyu Street, Square One 11th Floor 1101. Jinjiang District, Chengdu, Sichuan Province, China

AUTOMATIC CONTROL VALVES PN10/16/25 ref.510A / PN 10-16-ANSI150#

A205 Pressure Sustaining/Reducing Valve



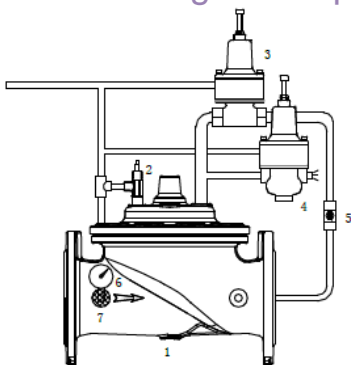
- 1.Main Valve
- 2.Needle Valve
- 3.P500
- 4.P20A
- 5.Ball Valve
- 6.Inlet Pressure Gauge (Optinal)
- 7.Strainer



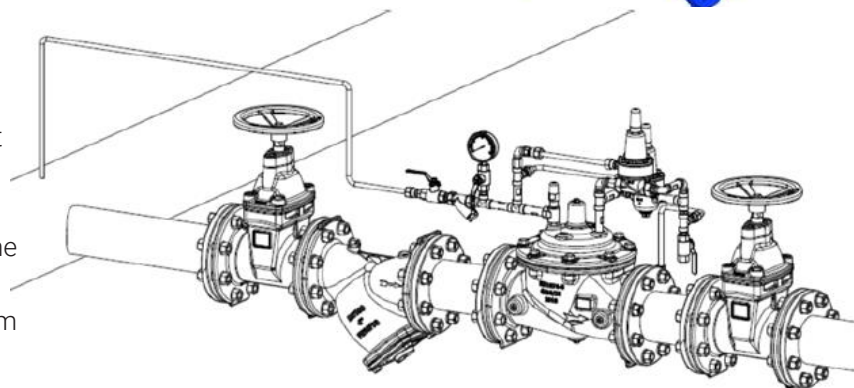
Function:

- 1.P20A is used for sensing to open at low pressure before surge, for quick relief high pressure wave.
- 2.The pre-open function eliminates the surge during pump abrupt stoppage.
- 3.The valve releases excessive system pressure.

A2A5 Surge Anticipation Valve



- 1.Main Valve
- 2.Needle Valve
- 3.P500
- 4.P20A
- 5.Ball Valve
- 6.Inlet Pressure Gauge
- 7.Strainer



Function:

- 1.P20A is used for sensing to open at low pressure before surge, for quick relief high pressure wave.
- 2.The pre-open function eliminates the surge during pump abrupt stoppage.
- 3.The valve releases excessive system pressure.

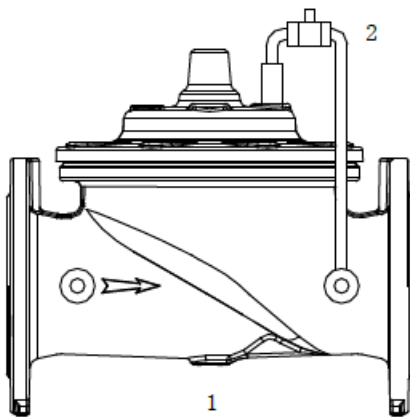
All the components can be substituted with equivalent or higher-class materials.

DAVINCI VALVES LTD, is constantly looking at all ways of improving our products and services related to the water, fire and industry sector and therefore we reserve the right to change, without prior notice, any of the data contained here. Please contact our Technical Sales Department for detailed advice.
© 2018 DAVINCI VALVES LTD.

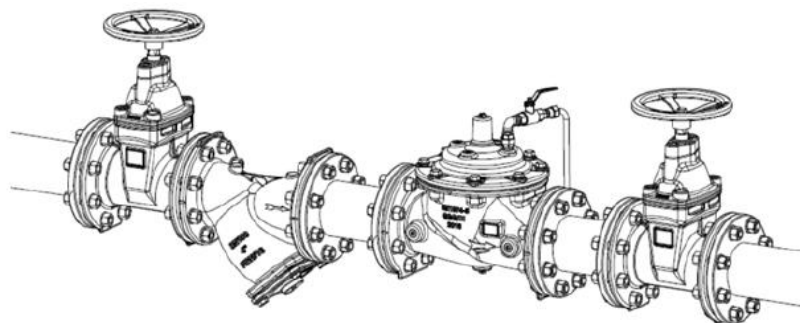
www.davincivalves.com info@davincivalves.com +34 616553797 / +86 17340168233
18 Dongyu Street, Square One 11th Floor 1101. Jinjiang District, Chengdu, Sichuan Province, China

AUTOMATIC CONTROL VALVS PN10/16/25 ref.510A / PN 10-16-ANSI150#

A300-Slow Control Check Valve



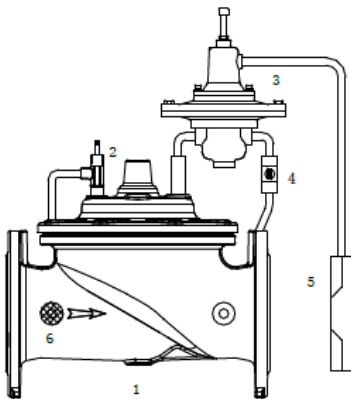
- 1.Main Valve
- 2.Ball Valve



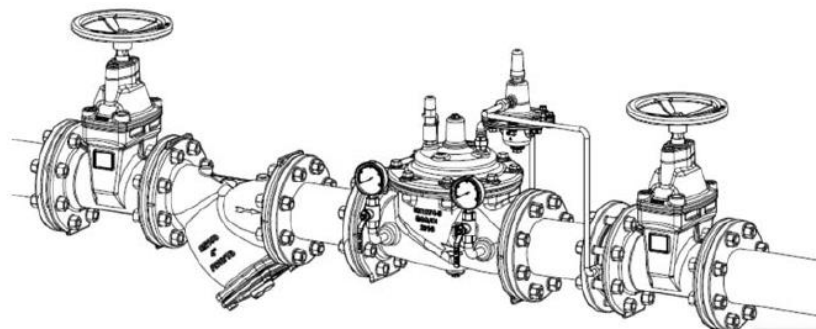
Function:

Function as the check valve, and can be speed controlled.

A400-Flow Control Valve



- 1.Main Valve
- 2.Needle Valve
- 3.P400
- 4.Ball Valve
- 5.Orifice Kit
- 6.Strainer



Function:

- 1.Maintains a constant flow, regardless of fluctuations of system pressure.
- 2.The rate of flow pilot can be adjustable, and senses the pressure differential across an orifice plate mounted in the valve outlet flange.
- 3.Whenever the system pressure changes, the flow pilot responds and modulate the valve to maintain the desired flow.

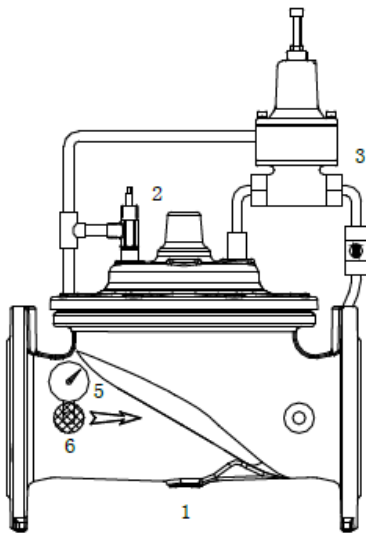
All the components can be substituted with equivalent or higher-class materials.

DAVINCI VALVES LTD, is constantly looking at all ways of improving our products and services related to the water, fire and industry sector and therefore we reserve the right to change, without prior notice, any of the data contained here. Please contact our Technical Sales Department for detailed advice.
© 2018 DAVINCI VALVES LTD.

www.davincivalves.com info@davincivalves.com +34 616553797 / +86 17340168233
18 Dongyu Street, Square One 11th Floor 1101. Jinjiang District, Chengdu, Sichuan Province, China

AUTOMATIC CONTROL VALVES PN10/16/25 ref.510A / PN 10-16-ANSI150#

A500 Pressure Relief/Sustaining Valve



1. Main Valve
2. Needle Valve
3. P500
4. Ball Valve
5. Inlet Pressure Gauge (Optional)
6. Strainer



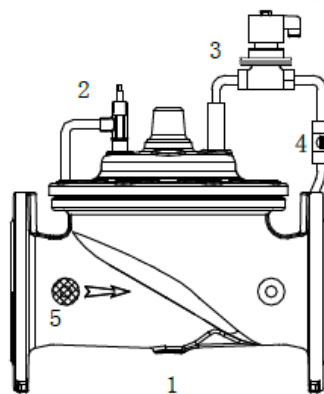
Function:

Relief: whenever the system pressure exceeds the preset of pilot, the valve will immediately open to release excess pressure. And keep the system in a safety environment.

2. Sustaining: prevents upstream pressure (mainline) from dropping below the preset pressure.

A600-Solenoid Control Valve

1. Main Valve
2. Needle Valve
3. Solenoid Valve
4. Ball Valve
6. Strainer

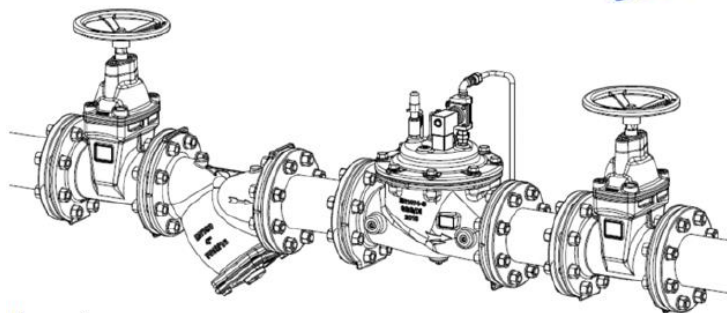


Function:

1.2-way solenoid-energized to open the valve

2.2-way solenoid-de-energized to close the valve.

3.4-way solenoid for special service conditions can be consulted.



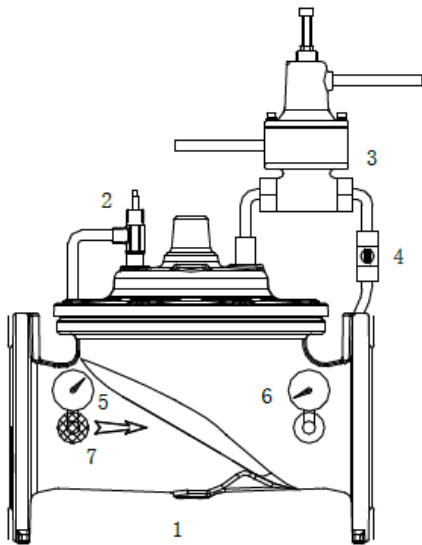
All the components can be substituted with equivalent or higher-class materials.

DAVINCI VALVES LTD, is constantly looking at all ways of improving our products and services related to the water, fire and industry sector and therefore we reserve the right to change, without prior notice, any of the data contained here. Please contact our Technical Sales Department for detailed advice.
© 2018 DAVINCI VALVES LTD.

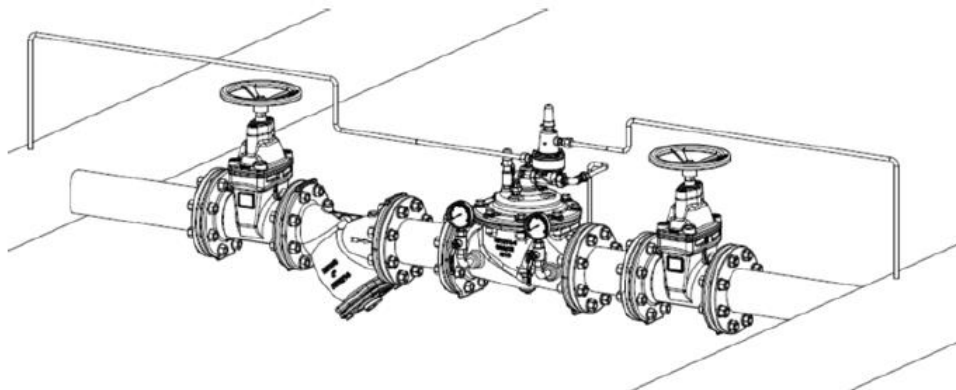
www.davincivalves.com info@davincivalves.com +34 616553797 / +86 17340168233
18 Dongyu Street, Square One 11th Floor 1101. Jinjiang District, Chengdu, Sichuan Province, China

AUTOMATIC CONTROL VALVES PN10/16/25 ref.510A / PN 10-16-ANSI150#

A800-Pressure Differential Valve



- 1.Main Valve
- 2.Needle Valve
- 3.P800
- 4.Ball Valve
- 5.Inlet Pressure Gauge (Optional)
6. Outlet Pressure Gauge (Optional)
- 7.Strainer



Function:

The main valve will open against the system pressure differential whenever exceeds the pilot setting. (adjustable).

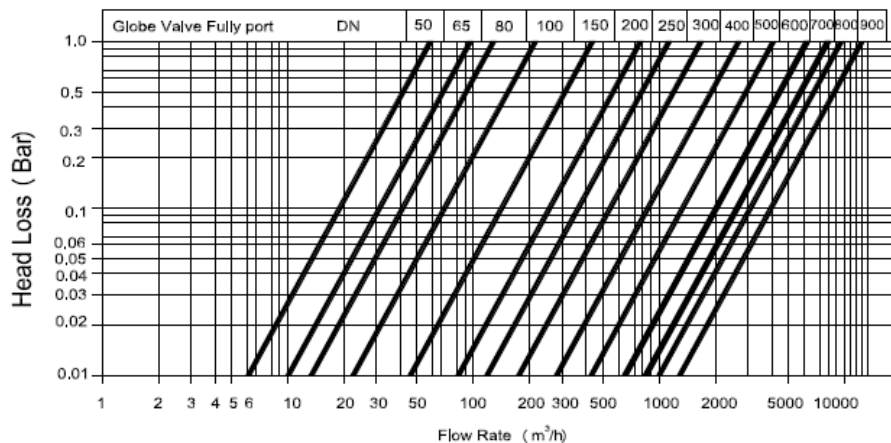
All the components can be substituted with equivalent or higher-class materials.

DAVINCI VALVES LTD, is constantly looking at all ways of improving our products and services related to the water, fire and industry sector and therefore we reserve the right to change, without prior notice, any of the data contained here. Please contact our Technical Sales Department for detailed advice.
© 2018 DAVINCI VALVES LTD.

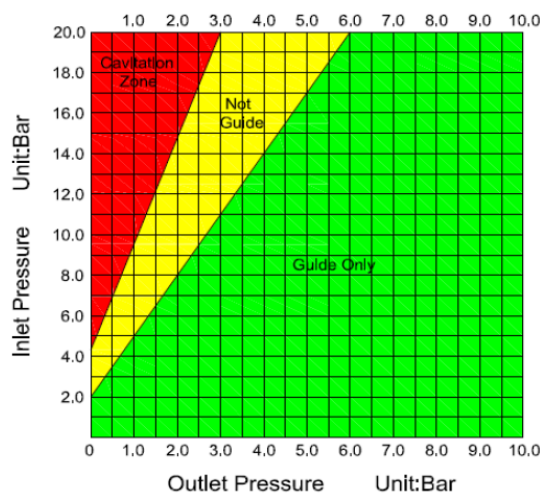
www.davincivalves.com info@davincivalves.com +34 616553797 / +86 17340168233
18 Dongyu Street, Square One 11th Floor 1101. Jinjiang District, Chengdu, Sichuan Province, China

AUTOMATIC CONTROL VALVES PN10/16/25 ref.510A / PN 10-16-ANSI150#

Head Loss Curve



Cavitation



Ordering Code

AXXX-0200-16-YYY

Model:

- A100: Remote Float Valve
- A200: Pressure Reducing Valve
- A300: Slow Control Check Valve
- A400: Flow Control Valve
- A500: Pressure Relief/Sustaining Valve
- A600: Solenoid Control Valve
- A70D: Pump Control Valve
- A800: Pressure Differential Valve
- A900: Main Valve

YYY: Special Code
Please Consult Factory

Pressure Rating:

- 10: PN10
- 16: PN16
- 25: PN25
- A1: ANSI 125 F/F
- A5: ANSI 150 R/F

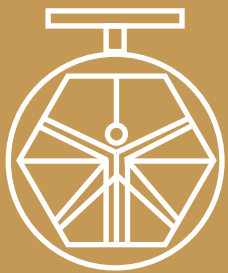
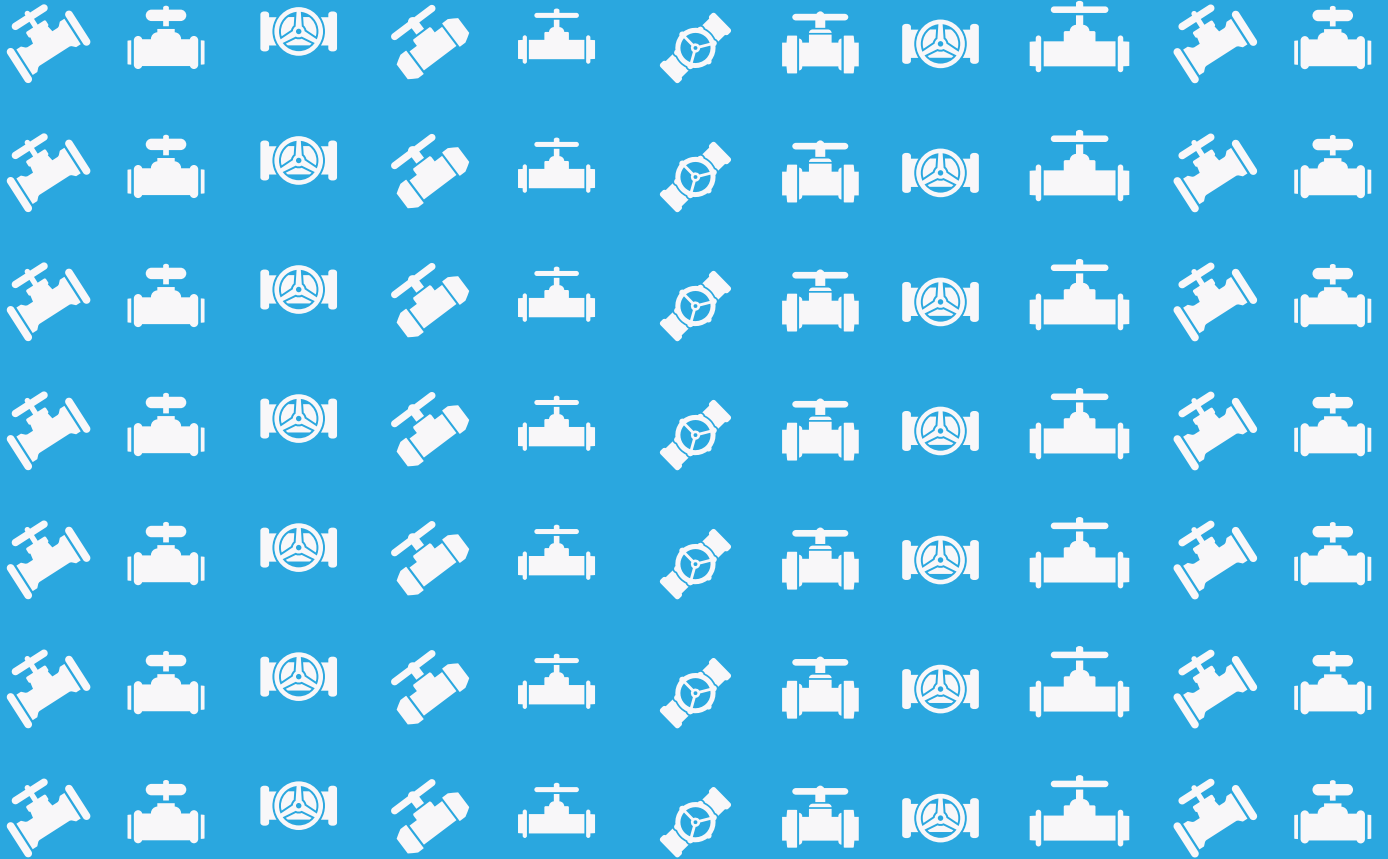
Size:

- 0080: 80 mm
- 0200: 200 mm

All the components can be substituted with equivalent or higher-class materials.

DAVINCI VALVES LTD, is constantly looking at all ways of improving our products and services related to the water, fire and industry sector and therefore we reserve the right to change, without prior notice, any of the data contained here. Please contact our Technical Sales Department for detailed advice.
© 2018 DAVINCI VALVES LTD.

www.davincivalves.com info@davincivalves.com +34 616553797 / +86 17340168233
18 Dongyu Street, Square One 11th Floor 1101. Jinjiang District, Chengdu, Sichuan Province, China



DAVINCI
VALVES™

