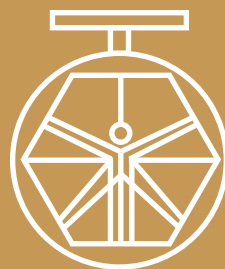


**GROUP 100
BALL VALVES
MOD. 741/42.1**



**DAVINCI
VALVES™**

**TECHNICAL
DATA SHEET**

INDUSTRY Series

**2 PIECE BALL VALVE SS316 1000WOG
THREAD END**

**DAVINCI
VALVES™**



**QUALITY
ASSUREMENT**

**DAVINCI
VALVES™**



**PRODUCT QT
ASSUREMENT**

**DAVINCI
VALVES™**



**COMPANY QT
ASSUREMENT**

www.davincivalves.com

18 Dongyu Street, Square One,
11th Floor 1101, Jinjiang District,
Chengdu, Sichuan CHINA

10F/Tower A, Billion Center,
1 Wang Kwong Road, Kowloon Bay
Kowloon HONG KONG

2 PIECE BALL VALVE SS316 1000WOG THREAD END

Ref.741A

APPLICATION:

Potable water distribution and pumping,
sewage, irrigation

WORKING CONDITIONS:

Pressure Ratings: 1000 PSI
Working Temperature: -30°C +250°C
Suitable Media: Water Oil Gas
End connection: Thread end GAS/NPT
Consult Factory for other applications

GENERAL CHARACTERISTICS:

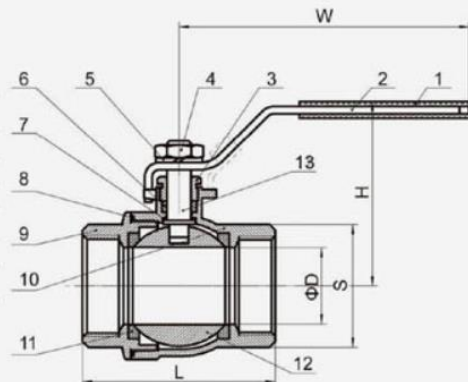
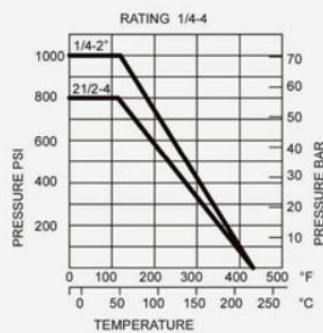
Size Range: 1/4" ~4"
Full bore.
100% Tightness in both ways.
Block device



STANDARDS:

Pressure Test: API 598, EN 12266
Body: 1000 psi /PN63 WOG
Casting Approved AD2000-WO PED97/23/PE(CE0036) Approved
Thread: ASME B1.20.1 BS21.DIN2999/259, ISO228-1, JIS B 0203, ISO7/1

MATERIAL LIST



SIZE	D	L	H	W	S
1/4"	9.2	36	41	76	18
3/8"	12.5	42	46	76	21
1/2"	15	48	50	85	25
3/4"	20	58	57	95	31
1"	25	68.5	68	120	37.5
1.1/4"	32	80	74	120	46.5
1.1/2"	38	90.5	85	150	53
2"	50	109	94	150	66
2.1/2"	65	139	120	215	82.5
3"	80	15	130	215	97.5
4"	100	200	160	300	127

ITEM	DESIGNATION	QTY	MATERIAL
1	Hand sleeve	1	PVC
2	Handle	1	304
3	Stem nut	1	304
4	Gland nut	1	304
5	Stem nut	1	304
6	Spring washer	1	304
7	Stem Packing	1	PTFE
8	Thrust washer	1	PTFE
9	Cap	1	CF8/CF8M
10	Body	1	CF8/CF8M
11	Ball seat	2	RPTFE
12	Ball	1	CF8/CF8M
13	Stem	1	304/316

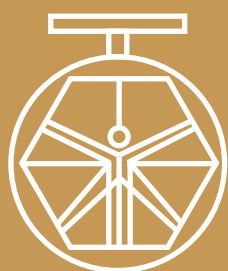
All the components can be substituted with equivalent or higher-class materials.

DAVINCI VALVES LTD, is constantly looking at all ways of improving our products and services related to the water, fire and industry sector and therefore we reserve the right to change, without prior notice, any of the data contained here. Please contact our Technical Sales Department for detailed advice.

© 2018 DAVINCI VALVES LTD.

www.davincivalves.com info@davincivalves.com +34 616553797 / +86 17340168233

"For professionals who wants more"



DAVINCI
VALVES™