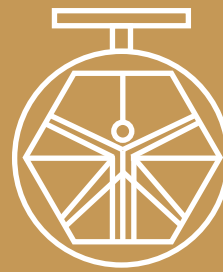


**GROUP 100
BUTTERFLY
VALVES
MOD. 141A/08**



**DAVINCI
VALVES™**

**TECHNICAL
DATA SHEET**

FIRE Series

**SYSTEM UL/FM
CENTER STEM WAFER TYPE**

**DAVINCI
VALVES™**



**QUALITY
ASSUREMENT**

**DAVINCI
VALVES™**



**PRODUCT QT
ASSUREMENT**

**DAVINCI
VALVES™**



**COMPANY QT
ASSUREMENT**

www.davincivalves.com

18 Dongyu Street, Square One,
11th Floor 1101, Jinjiang District,
Chengdu, Sichuan CHINA

10F/Tower A, Billion Center,
1 Wang Kwong Road, Kowloon Bay
Kowloon HONG KONG

WAFER TYPE BUTTERFLY VALVE UL/ULC LISTED, FM APPROVED Ref.101A / 300PSI

GENERAL CHARACTERISTICS:

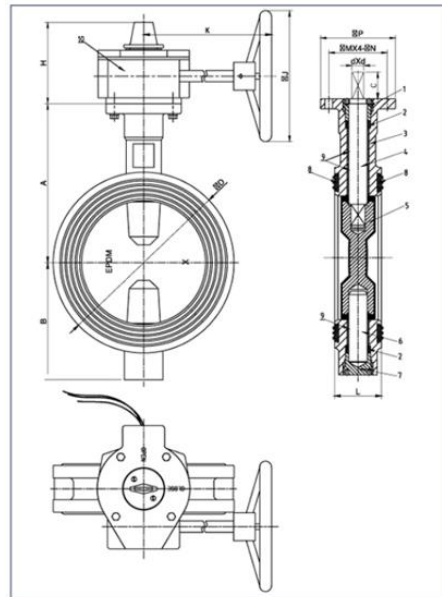
Range from ND50 up to ND300.
 Double Seal Disc Resilient EPDM Coated
 Low torque values.
 Epoxy paint 250 microns
 Gear box with switch signal position on/off
 Approvals FM,UL,CUL,NSF,ANSI 61 & NSF, ANSI372
 Certified lead-free by NSF/ANSI61& NSF /ANSI372 is available

STANDARDS:

Design: API609
 Face to Face ASME B16.10
 Top Flange Standard ISO 5211
 Test Standard FM1112/UL1091

WORKING CONDITIONS:

Pressure Ratings: 300PSI (Max test pressure 600PSI)
 Working Temperature: -10°C +80°C
 Suitable Media: Water
 Consult for other applications



| ITEM | PART | MATERIAL | ITEM | PART | MATERIAL |
|------|-------------------------|----------|------|-------------------------|----------|
| 1 | Upper Shaft sealing Nut | WCB | 6 | Lower Shaft | SS416 |
| 2 | Shaft Seal | EPDM | 7 | Lower Shaft sealing Nut | WCB |
| 3 | Body | DI | 8 | Stem Bushing | PTFE |
| 4 | Upper Shaft sealing Nut | SS416 | 9 | Signal Gear Box | DI |
| 5 | Disc | DI+EPDM | | | |

| ITEM SIZE | A | B | C | D | H | K | J | P | M | N | d | L | |
|-----------|-----|-----|----|-----|-----|-----|-----|-----|-----|-----|----|----|------|
| 2" | 110 | 85 | 32 | 100 | 111 | 153 | 218 | 152 | 90 | 70 | 9 | 10 | 42 |
| 2-1/2" | 125 | 95 | 32 | 112 | 111 | 153 | 218 | 152 | 90 | 70 | 9 | 10 | 44.2 |
| 3" | 140 | 100 | 32 | 120 | 111 | 153 | 218 | 152 | 90 | 70 | 9 | 11 | 45.3 |
| 4" | 160 | 100 | 32 | 161 | 111 | 153 | 218 | 152 | 90 | 70 | 9 | 14 | 52 |
| 5" | 170 | 125 | 32 | 182 | 111 | 153 | 218 | 152 | 90 | 70 | 9 | 14 | 54.4 |
| 6" | 190 | 140 | 32 | 216 | 111 | 153 | 218 | 200 | 90 | 70 | 9 | 16 | 55.8 |
| 8" | 230 | 175 | 32 | 260 | 126 | 210 | 232 | 300 | 125 | 102 | 12 | 19 | 60.5 |
| 10" | 260 | 200 | 45 | 320 | 126 | 210 | 232 | 300 | 125 | 102 | 12 | 24 | 66.5 |
| 12" | 300 | 240 | 45 | 375 | 161 | 249 | | 350 | 150 | 125 | 14 | 26 | 76.9 |

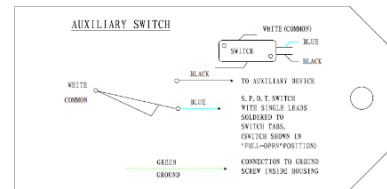
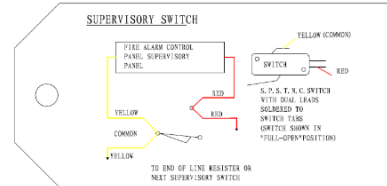
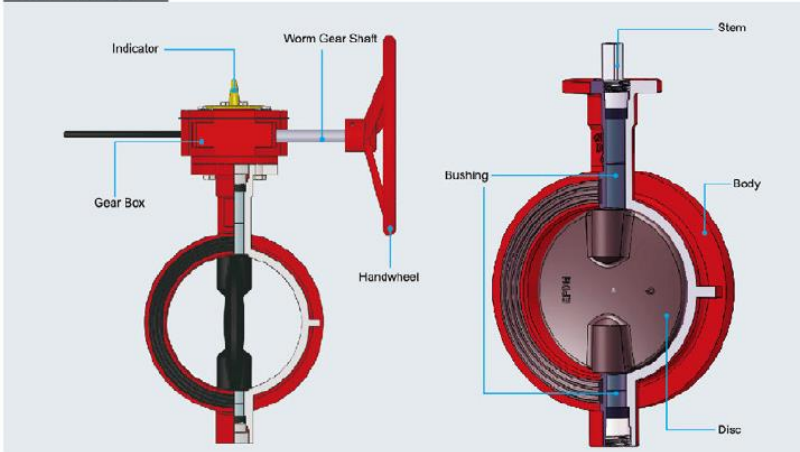
All the components can be substituted with equivalent or higher-class materials.

DAVINCI VALVES LTD, is constantly looking at all ways of improving our products and services related to the water, fire and industry sector and therefore we reserve the right to change, without prior notice, any of the data contained here. Please contact our Technical Sales Department for detailed advice.
 © 2018 DAVINCI VALVES LTD.

www.davincivalves.com info@davincivalves.com +34 616553797 / +86 17340168233
 18 Dongyu Street, Square One 11th Floor 1101. Jinjiang District, Chengdu, Sichuan Province, China

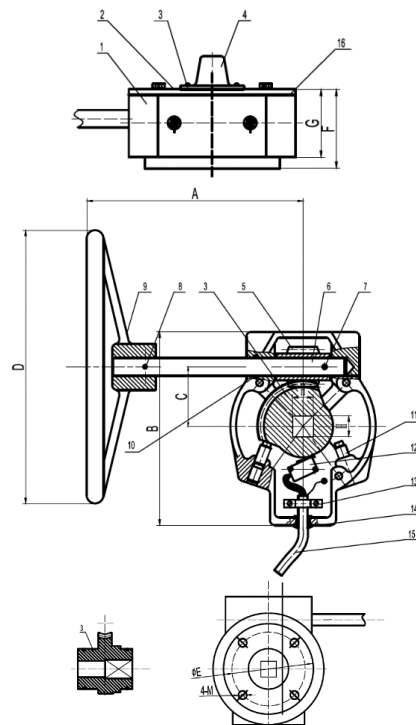
WAFER TYPE BUTTERFLY VALVE UL/ULC LISTED, FM APPROVED Ref.101A / 300PSI

3D Pictures



| No. | Description | MATERIAL | Standard |
|-----|-----------------|-----------------|--------------------------|
| 1 | Gear Body | DI | ASTM A536 Grade 65-45-12 |
| 2 | Gear Cover | DI | ASTM A536 Grade 65-45-13 |
| 3 | Worm Wheel | DI | ASTM A536 Grade 65-45-14 |
| 4 | Indicator | DI | ASTM A536 Grade 65-45-15 |
| 5 | Worm | Steel | |
| 6 | Handwheel Shaft | Steel | |
| 7 | Pin | SS416 | ASTM A528 |
| 8 | Pin | SS416 | ASTM A536 Grade 65-45-12 |
| 9 | Handwheel | DI | |
| 10 | O-Ring | EPDM | |
| 11 | Set Screw | Steel | |
| 12 | Signal Switch | Switch Assembly | |
| 13 | Clip | Nylon | |
| 14 | Sealing Ring | EPDM | ASTM D2000 |
| 15 | Wire | Wire | |
| 16 | Gasket | EPDM | ASTM D2000 |

| Gearbox | Value | A | B | C | D | E | F | G | H | M |
|---------|----------|-----|-----|-----|-----|-----|-----|-----|----|--------|
| 24:1 | 2-2 1/2" | 153 | 218 | 164 | 45 | 152 | 70 | 65 | 58 | 10 M8 |
| 24:1 | 3" | 153 | 218 | 164 | 45 | 152 | 70 | 65 | 58 | 11 M8 |
| 24:1 | 4-5" | 153 | 218 | 164 | 45 | 152 | 70 | 65 | 58 | 14 M8 |
| 24:1 | 6" | 153 | 218 | 164 | 45 | 200 | 70 | 65 | 58 | 16 M8 |
| 30:1 | 8" | 210 | 232 | 205 | 63 | 300 | 102 | 79 | 67 | 19 M10 |
| 30:1 | 10" | 210 | 232 | 205 | 63 | 300 | 102 | 79 | 67 | 22 M10 |
| 80:1 | 12" | 249 | 284 | 120 | 350 | 125 | 118 | 110 | 24 | M12 |

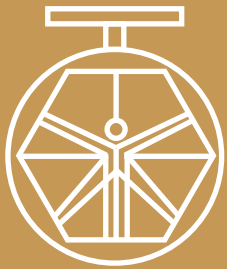


All the components can be substituted with equivalent or higher-class materials.

DAVINCI VALVES LTD, is constantly looking at all ways of improving our products and services related to the water, fire and industry sector and therefore we reserve the right to change, without prior notice, any of the data contained here. Please contact our Technical Sales Department for detailed advice.
© 2018 DAVINCI VALVES LTD.

www.davincivalves.com info@davincivalves.com +34 616553797 / +86 17340168233
18 Dongyu Street, Square One 11th Floor 1101. Jinjiang District, Chengdu, Sichuan Province, China

"For professionals who wants more"



DAVINCI
VALVES™