

DAVINCI
VALVES™



GROUP 16 COUPLINGS

WATER Series

COLLECTION FITTINGS

DAVINCI
VALVES™



QUALITY
ASSUREMENT

DAVINCI
VALVES™



PRODUCT QT
ASSUREMENT

DAVINCI
VALVES™



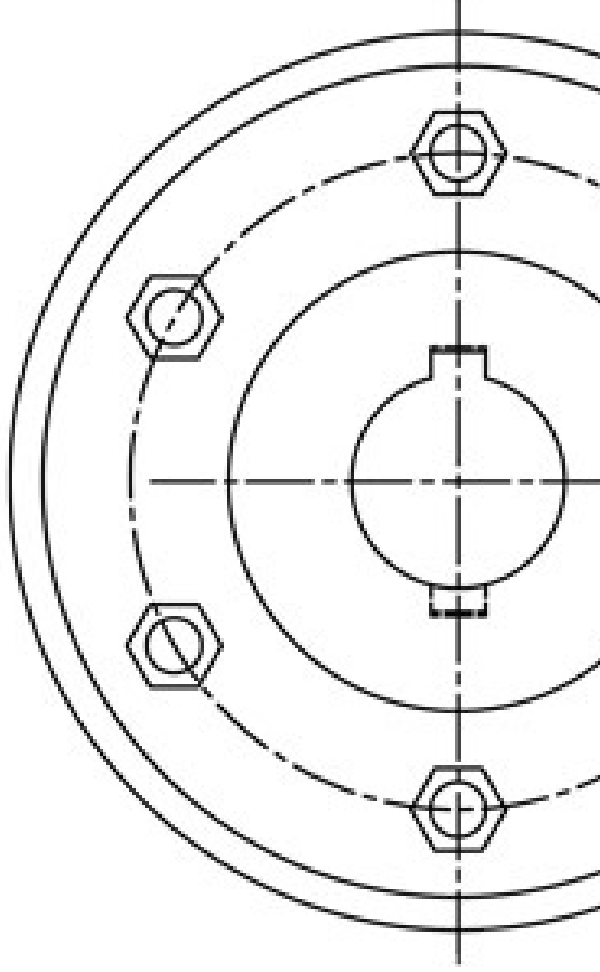
COMPANY QT
ASSUREMENT

www.davincivalves.com

18 Dongyu Street, Square One,
11th Floor 1101, Jinjiang District,
Chengdu, Sichuan CHINA

10F/Tower A, Billion Center,
1 Wang Kwong Road, Kowloon Bay
Kowloon HONG KONG

VALVES & COMPONENTS SOLUTIONS
for professionals:
www.davincivalves.com



COLLECTION **COUPLINGS**

**GROUP 1000
ACCESSORIES
MOD.
1000/96**



**DAVINCI
VALVES™**

**TECHNICAL
DATA SHEET
WATER Series**

FITTINGS

**DAVINCI
VALVES™**



**QUALITY
ASSUREMENT**

**DAVINCI
VALVES™**



**PRODUCT QT
ASSUREMENT**

**DAVINCI
VALVES™**



**COMPANY QT
ASSUREMENT**

www.davincivalves.com

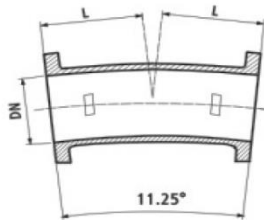
18 Dongyu Street, Square One,
11th Floor 1101, Jinjiang District,
Chengdu, Sichuan CHINA

10F/Tower A, Billion Center,
1 Wang Kwong Road, Kowloon Bay
Kowloon HONG KONG

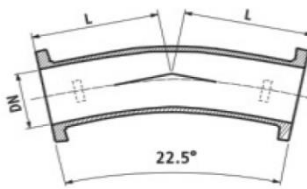
FITTINGS : LOOSE FLANGED BEND

ref.1000A / PN 10-16

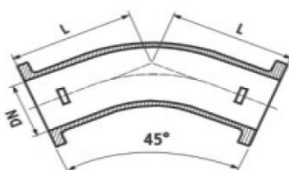
11.25°、22.5°、45°、90° Loose Flanged Bend



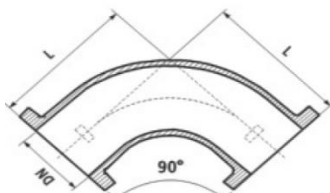
LF001 11.25°



LF002 22.5°



LF003 45°



LF004 90°

C-LF001	DN	L
C-LF001-11040J	40	120
C-LF001-11050J	50	120
C-LF001-11060A	60	119
C-LF001-11065A	65	124
C-LF001-11080A	80	113
C-LF001-11100A	100	115
C-LF001-11125A	125	111
C-LF001-11150A	150	113
C-LF001-11200A	200	132
C-LF001-11250A	250	165
C-LF001-11300J	300	175
C-LF001-11350A	350	191
C-LF001-11400A	400	205
C-LF001-11450J	450	349
C-LF001-11500J	500	375
C-LF001-11600J	600	426

C-LF002	DN	L
C-LF002-11040A	40	94
C-LF002-11050A	50	104
C-LF002-11060A	60	114
C-LF002-11040A	65	119
C-LF002-11080A	80	105
C-LF002-11100A	100	110
C-LF002-11125A	125	105
C-LF002-11150A	150	109
C-LF002-11200A	200	131
C-LF002-11250J	250	140
C-LF002-11300A	300	210
C-LF002-11350A	350	210
C-LF002-11400A	400	239
C-LF002-11450J	450	349
C-LF002-11500J	500	272
C-LF002-11600J	600	426

C-LF003	DN	L
C-LF003-11040A	40	140
C-LF003-11050A	50	150
C-LF003-11060A	60	160
C-LF003-11065A	65	165
C-LF003-11080A	80	130
C-LF003-11100A	100	140
C-LF003-11125A	125	150
C-LF003-11150A	150	160
C-LF003-11200A	200	180
C-LF003-11250B	250	245
C-LF003-11300B	300	275
C-LF003-11350A	350	298
C-LF003-11400A	400	324
C-LF003-11450A	450	350
C-LF003-11500A	500	375
C-LF003-11600A	600	426

C-LF004	DN	L
C-LF004-11040A	40	140
C-LF004-11050A	50	150
C-LF004-11060A	60	160
C-LF004-11065A	65	165
C-LF004-11080A	80	165
C-LF004-11100A	100	180
C-LF004-11125A	125	200
C-LF004-11150A	150	220
C-LF004-11200A	200	260
C-LF004-11250A	250	350
C-LF004-11300A	300	400
C-LF004-11350A	350	450
C-LF004-11400A	400	500
C-LF004-11450A	450	550
C-LF004-11500A	500	600
C-LF004-11600A	600	700

All the components can be substituted with equivalent or higher-class materials.

DAVINCI VALVES LTD. is constantly looking at all ways of improving our products and services related to the water, fire and industry sector and therefore we reserve the right to change, without prior notice, any of the data contained here. Please contact our Technical Sales Department for detailed advice.

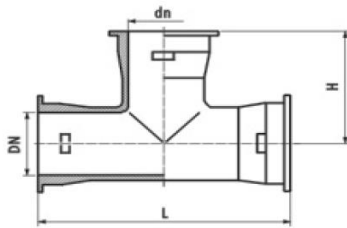
© 2018 DAVINCI VALVES LTD.

www.davincivalves.com info@davincivalves.com +34 616553797 / +86 17340168233
18 Dongyu Street, Square One 11th Floor 1101, Jinjiang District, Chengdu, Sichuan Province, China

FITTINGS Loose Flanged Tee

ref.1000A / PN 10-16

Loose Flanged Tee



C-LF006	DN	dn	L	H	C-LF006	DN	dn	L	H
C-LF006-60400A	40	40	280	140	C-LF006-03002J	60	405	290	
C-LF006-60501A	40	40	300	140	C-LF006-03004J	80	450	300	
C-LF006-60502A	50	50	300	150	C-LF006-03005J	100	450	300	
C-LF006-60601J		40	320	140	C-LF006-03006J	300	125	550	300
C-LF006-60602J	60	50	320	150	C-LF006-03007J	150	545	300	
C-LF006-60603A		60	320	160	C-LF006-03008J	200	550	320	
C-LF006-60651J		40	320	160	C-LF006-03009J	250	660	330	
C-LF006-60652J	65	50	330	150	C-LF006-03010J	300	660	340	
C-LF006-60653J		65	330	165	C-LF006-03502J	60	850	320	
C-LF006-60653B		65	305	150	C-LF006-03504A	80	850	325	
C-LF006-60800J		40	330	140	C-LF006-03505A	100	850	325	
C-LF006-60801J		50	330	165	C-LF006-03505B	100	470	300	
C-LF006-60802J	80	60	330	160	C-LF006-03507J	350	150	850	325
C-LF006-60803J		65	330	165	C-LF006-03508A	200	850	325	
C-LF006-60804A		80	330	165	C-LF006-03508B	200	585	350	
C-LF006-61000J		40	360	150	C-LF006-03509B	250	645	360	
C-LF006-61000A		40	320	145	C-LF006-03511A	350	850	425	
C-LF006-61001J		50	360	160	C-LF006-03511B	350	760	380	
C-LF006-61002A	100	60	320	165	C-LF006-04002J	60	900	350	
C-LF006-61003J		65	360	175	C-LF006-04004J	80	900	350	
C-LF006-61004A		80	360	175	C-LF006-04005A	100	900	350	
C-LF006-61005A		100	360	180	C-LF006-04005B	100	490	360	
C-LF006-61250J		40	400	165	C-LF006-04007B	150	550	370	
C-LF006-61251J		50	400	175	C-LF006-04007J	150	900	350	
C-LF006-61252J		60	400	185	C-LF006-04008A	200	900	350	
C-LF006-61253J	125	65	400	185	C-LF006-04008B	400	200	610	380
C-LF006-61254A		80	400	190	C-LF006-04009J	250	900	350	
C-LF006-61255A		100	400	195	C-LF006-04009B	250	665	390	
C-LF006-61256A		125	400	200	C-LF006-04010J	300	900	350	
C-LF006-61500J		40	400	190	C-LF006-04010B	300	725	400	
C-LF006-61501J		50	400	185	C-LF006-04012J	400	900	450	
C-LF006-61502J		60	400	195	C-LF006-04012B	400	840	420	
C-LF006-61503A	150	80	400	205	C-LF006-04505A	100	950	375	
C-LF006-61504A		100	400	210	C-LF006-04507B	150	570	400	
C-LF006-61505A		125	400	215	C-LF006-04508A	200	950	375	
C-LF006-61506A		150	400	220	C-LF006-04509B	450	250	690	420
C-LF006-02000J		40	520	215	C-LF006-04510B	300	745	430	
C-LF006-02001J		50	520	215	C-LF006-04512B	400	860	450	
C-LF006-02002J		60	520	220	C-LF006-04513A	450	950	475	
C-LF006-02003J		65	520	230	C-LF006-05005A	100	1000	400	
C-LF006-02004A		80	520	235	C-LF006-05005B	100	5351	420	
C-LF006-02005A	200	100	520	240	C-LF006-05007J	150	590	430	
C-LF006-02006J		125	520	240	C-LF006-05008A	200	1000	400	
C-LF006-02007A		150	520	250	C-LF006-05008B	500	250	705	450
C-LF006-02008B		200	520	260	C-LF006-05010B	300	765	460	
C-LF006-02502B		60	385	260	C-LF006-05012A	400	1000	500	
C-LF006-02504J		80	380	265	C-LF006-05012B	400	885	480	
C-LF006-02505J		100	460	270	C-LF006-05014A	500	1000	500	
C-LF006-02506J		125	460	275	C-LF006-05007B	150	700	490	
C-LF006-02507B		150	460	280	C-LF006-05008A	200	1100	450	
C-LF006-02508B		200	400	260	C-LF006-05010B	300	810	520	
C-LF006-02509B		250	600	300	C-LF006-05012A	600	400	1100	550
					C-LF006-05012B	400	930	540	
					C-LF006-05014B	600	975	550	
					C-LF006-05015A	600	1100	550	

TECHNICAL DATA

All the components can be substituted with equivalent or higher-class materials.

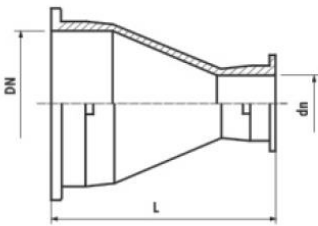
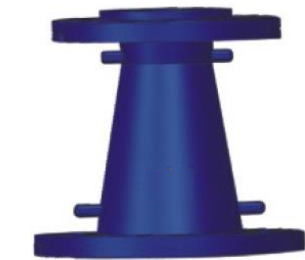
DAVINCI VALVES LTD, is constantly looking at all ways of improving our products and services related to the water, fire and industry sector and therefore we reserve the right to change, without prior notice, any of the data contained here. Please contact our Technical Sales Department for detailed advice.

© 2018 DAVINCI VALVES LTD.
 www.davincivalves.com info@davincivalves.com +34 616553797 / +86 17340168233
 18 Dongyu Street, Square One 11th Floor 1101. Jinjiang District, Chengdu, Sichuan Province, China

FITTINGS Loose Flanged Taper

ref.1000A / PN 10-16

Loose Flanged Taper



A-LF011	DN(mm)	dn(mm)	L(mm)	A-LF011	DN(mm)	dn(mm)	L(mm)
A-LF011-60500150A	50	40	150	A-LF011-02502250B	60	250	
A-LF011-60600160A		40	160	A-LF011-02504250B	80	250	
A-LF011-60601160A	60	50	160	A-LF011-02505250B	100	250	
A-LF011-60650160J		40	160	A-LF011-02506250B	125	250	
A-LF011-60651160A	65	50	160	A-LF011-02507250B	150	250	
A-LF011-60800200A		40	200	A-LF011-02508250B	200	250	
A-LF011-60801200A		50	200	A-LF011-03002265B	60	265	
A-LF011-60802200A	80	60	200	A-LF011-03004265B	80	265	
A-LF011-60803200A		65	200	A-LF011-03005265B	100	265	
A-LF011-61000200A		40	200	A-LF011-03006265B	125	265	
A-LF011-61001200A		50	200	A-LF011-03007265B	150	265	
A-LF011-61002200A	100	60	200	A-LF011-03008265B	200	265	
A-LF011-61003200A		65	200	A-LF011-03009265B	250	265	
A-LF011-61004200A		80	200	A-LF011-03508300A	200	300	
A-LF011-61250200A		40	200	A-LF011-03508200B	200	290	
A-LF011-61251200A	125	50	200	A-LF011-03509300A	250	300	
A-LF011-61252200A		60	200	A-LF011-03510300A	300	300	
A-LF011-61253200A		65	200	A-LF011-03510290B	300	290	
A-LF011-60504200A	125	80	200	A-LF011-04005300A	100	300	
A-LF011-61255200A		100	200	A-LF011-04007300A	150	300	
A-LF011-61500200A		40	200	A-LF011-04007150J	150	450	
A-LF011-61501200A		50	200	A-LF011-04008300A	200	300	
A-LF011-61502200A		60	200	A-LF011-04009300A	250	300	
A-LF011-61503200A		65	200	A-LF011-04010300A	300	300	
A-LF011-61504200A	150	80	200	A-LF011-04011300A	350	300	
A-LF011-61505200A		80	200	A-LF011-04012300A	400	300	
A-LF011-61506200A		100	200	A-LF011-04509300A	250	300	
A-LF011-61506200A		125	200	A-LF011-04510300A	300	300	
A-LF011-61506190B		125	190	A-LF011-04511300A	350	300	
A-LF011-02002235B		60	235	A-LF011-04512300A	400	300	
A-LF011-02004235J		80	235	A-LF011-05009600A	250	600	
A-LF011-02004300A	200	80	300	A-LF011-05010600A	300	600	
A-LF011-02005235B		100	235	A-LF011-05011600A	350	600	
A-LF011-02006235B		125	235	A-LF011-05012600A	400	600	
A-LF011-02007235B	200	150	235	A-LF011-05013600A	450	600	
A-LF011-02007300A		150	300	A-LF011-06010600A	300	600	
				A-LF011-06011600A	350	600	
				A-LF011-06012600A	400	600	
				A-LF011-06013600A	450	600	
				A-LF011-06014600A	500	600	

TECHNICAL DATA

All the components can be substituted with equivalent or higher-class materials.

DAVINCI VALVES LTD, is constantly looking at all ways of improving our products and services related to the water, fire and industry sector and therefore we reserve the right to change, without prior notice, any of the data contained here. Please contact our Technical Sales Department for detailed advice.

© 2018 DAVINCI VALVES LTD.

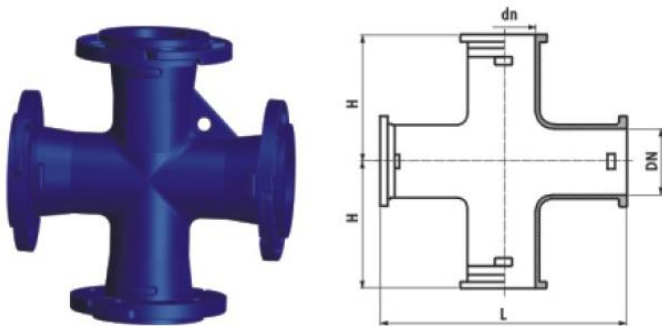
www.davincivalves.com info@davincivalves.com +34 616553797 / +86 17340168233

18 Dongyu Street, Square One 11th Floor 1101. Jinjiang District, Chengdu, Sichuan Province, China

FITTINGS Loose Flanged Cross/ Pipe/ Sleeve

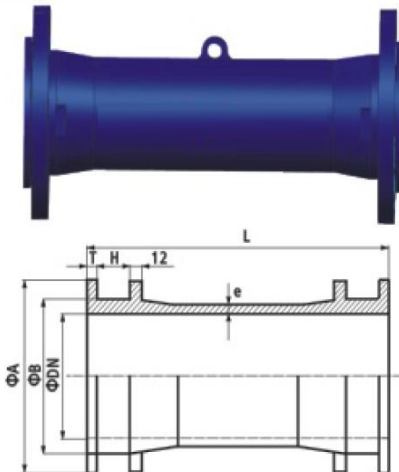
ref.1000A / PN 10-16

Loose Flanged Cross



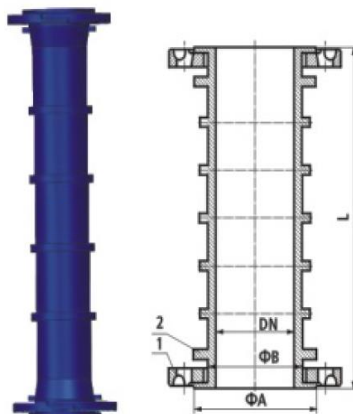
C-LF005	DN	dn	L	H
C-LF005-5050A	50	50	300	150
C-LF005-6065A	60/65	60/65	320	160
C-LF005-6080A	80	80	330	165
C-LF005-6100A	100	100	360	180
C-LF005-6150A	150	150	440	220
C-LF005-6200A	200	200	520	260
C-LF005-6250A	250	250	700	350
C-LF005-6300A	300	300	800	400
C-LF005-6350A	350	350	850	425
C-LF005-6400A	400	400	900	450
C-LF005-6450A	450	450	950	475
C-LF005-6500A	500	500	1000	500
C-LF005-6600A	600	600	1100	550

Loose Flanged Pipe



DN	L	e	ΦA	ΦB	T	H
40	100-800		84	61.2		
50	100-800		99	73		
60	100-800		108	83.6		
65	100-800	7.0	118	88.8	7	26
80	100-1200		132	105.8		
100	100-1200	7.2	156	129.6		27
125	200-1200	7.5	184	156.6	8.5	28.5
150	200-1200	7.8	211	182.4	10	30
200	300-1200	8.4	266	235	12	33
250	300-1200	9.0	319	288	13	36
300	400-1200	9.6	370	342	13.5	39
350	500-1200	10.2	429	392	14.5	40
400	500-1200	10.8	480	448	16	44
500	500-1200	12	609	548	18	48
600	600-1500	13.2	720	652	20	52

Flanged Anchoring Sleeve



DN	ΦA	Φ	L
40	84	61.2	
50	99	73	
60	108	83.6	
65	118	88.8	
80	132	105.8	
100	156	129.6	
125	184	156.6	
150	211	182.4	
200	266	235	
250	319	288	
300	370	342	
350	429	392	
400	480	448	
500	609	548	
600	720	652	

TECHNICAL DATA

All the components can be substituted with equivalent or higher-class materials.

DAVINCI VALVES LTD, is constantly looking at all ways of improving our products and services related to the water, fire and industry sector and therefore we reserve the right to change, without prior notice, any of the data contained here. Please contact our Technical Sales Department for detailed advice.

© 2018 DAVINCI VALVES LTD.

www.davincivalves.com info@davincivalves.com +34 616553797 / +86 17340168233
18 Dongyu Street, Square One 11th Floor 1101. Jinjiang District, Chengdu, Sichuan Province, China

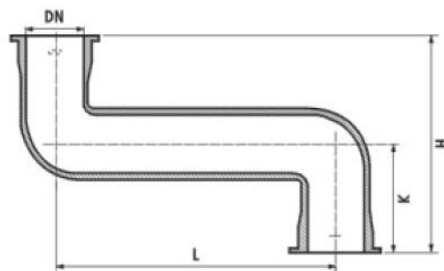
FITTINGS S Type Flanged Bend/ Flanged Duck foot Bend

ref.1000A / PN 10-16

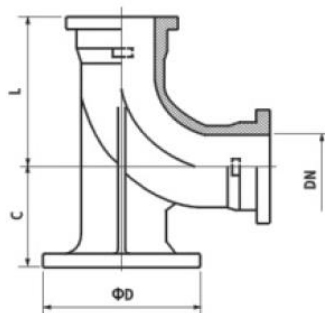
S Type Loose Flanged Bend



C-LF009	DN(mm)	L(mm)	H(mm)	K(mm)
C-LF009-6080J	80	500	280	140
C-LF009-6100J	100	500	300	150
C-LF009-6100J	100	1000	300	150
C-LF009-6150J	150	500	400	200



Loose Flanged Duck foot Bend



C-FF010	DN(mm)	L	C	ΦD
C-FF010-6040A	40	140	90	140
C-FF010-6050A	50	150	95	150
C-FF010-6060A	60	160	100	160
C-FF010-6065A	65	165	105	165
C-FF010-6080A	80	165	110	180
C-FF010-6100A	100	180	125	200
C-FF010-6125A	125	200	140	225
C-FF010-6150A	150	220	160	250
C-FF010-0200A	200	260	190	300
C-FF010-0250A	250	350	225	350
C-FF010-0300A	300	400	255	400
C-FF010-0350A	350	450	290	450
C-FF010-0400A	400	500	320	500
C-FF010-0450A	450	550	355	550
C-FF010-0500A	500	600	385	600
C-FF010-0600A	600	700	450	700

All the components can be substituted with equivalent or higher-class materials.

DAVINCI VALVES LTD, is constantly looking at all ways of improving our products and services related to the water, fire and industry sector and therefore we reserve the right to change, without prior notice, any of the data contained here. Please contact our Technical Sales Department for detailed advice.

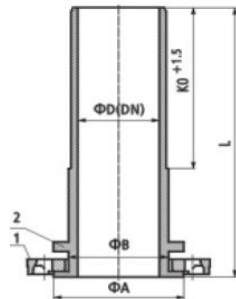
© 2018 DAVINCI VALVES LTD.

www.davincivalves.com info@davincivalves.com +34 616553797 / +86 17340168233
18 Dongyu Street, Square One 11th Floor 1101. Jinjiang District, Chengdu, Sichuan Province, China

FITTINGS Loose Flanged Spigot/ MJ Flanged Socket

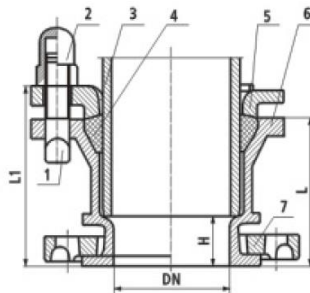
ref.1000A / PN 10-16

Loose Flanged Spigot



DN	ΦD	ΦA	ΦB	L	K
40	40	84	61.2	335	200
50	50	99	73	340	200
60	60	108	83.6	345	200
65	65	118	88.8	345	200
80	80	132	105.8	350	215
100	100	156	129.6	360	215
125	125	184	156.6	370	220
150	150	211	182.4	380	225
200	200	266	235	400	230
250	250	319	288	420	240
300	300	370	342	440	250
350	350	429	392	460	260
400	400	480	448	480	270
500	500	609	548	520	290
600	600	720	652	560	310

MJ Flanged Socket



DN	Short Socket			Long Socket			
	H	L	L1	DN	H	L	L1
60	41	121	141	60	41	190	210
80	41	121	141	80	41	202	222
100	41	121	143	100	41	202	224
125	42.5	132.5	154.5	125	42.5	202	224
150	45	135	157	150	45	225	247
200	50	140	164	200	50	250	274
250	55	145	171	250	55	275	301
300	60	160	186	300	60	300	326
350	66	166	193	350	66	316	343
400	68	168	197	400	68	328	357
450	74	184	218	450	74	360	394
500	78	188	224	500	78	390	426
600	85	205	242	600	85	410	447
700	89	219	262				
800	95	235	280				

TECHNICAL DATA

All the components can be substituted with equivalent or higher-class materials.

DAVINCI VALVES LTD, is constantly looking at all ways of improving our products and services related to the water, fire and industry sector and therefore we reserve the right to change, without prior notice, any of the data contained here. Please contact our Technical Sales Department for detailed advice.

© 2018 DAVINCI VALVES LTD.

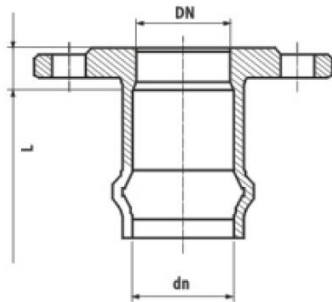
www.davincivalves.com info@davincivalves.com +34 616553797 / +86 17340168233

18 Dongyu Street, Square One 11th Floor 1101. Jinjiang District, Chengdu, Sichuan Province, China

FITTINGS Socket Flange Pipe For PVC/ Socket Taper for PVC

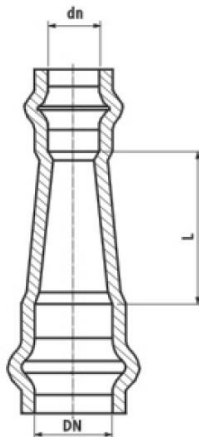
ref.1000A / PN 10-16

Socket Flange Pipe For PVC



PF009	dn	DN	L
D-PF009-050040A	50	40	15
D-PF009-063050A	63	50	15
D-PF009-063060A	63	60	15
D-PF009-075060A	75	60	15
D-PF009-075065A	75	65	15
D-PF009-090080A	90	80	15
D-PF009-110100A	110	100	30
D-PF009-125125A	125		20
D-PF009-140125A	140	125	20
D-PF009-160150A	160	150	35
D-PF009-200200A	200	200	40
D-PF009-225200A	225		40
D-PF009-250250A	250	250	50
D-PF009-280250A	280		50
D-PF009-315300A	315	300	60
D-PF009-400400A	400	400	84
D-PF009-400450A	400	450	107
D-PF009-500500A	500	500	97

Socket Taper For PVC



D-PF010	DN	dn	L	D-PF010	DN	dn	L
D-PF010-050040B	50	40	20	D-PF010-225063J		63	100
D-PF010-063050B	63	50	20	D-PF010-225090J		90	90
D-PF010-075063B	75	63	20	D-PF010-225110J	225	110	90
D-PF010-090050B		50	30	D-PF010-225140J		140	80
D-PF010-090063B	90	63	25	D-PF010-225160B		160	70
D-PF010-090075B		75	20	D-PF010-225200B		200	60
D-PF010-110063B		63	35	D-PF010-250110J		110	100
D-PF010-110075B	110	75	35	D-PF010-250140J	250	140	95
D-PF010-110090B		90	35	D-PF010-250160J		160	95
D-PF010-125063B		63	55	D-PF010-250200A		200	80
D-PF010-125075B		75	55	D-PF010-280090B		90	130
D-PF010-125090B	125	90	45	D-PF010-280110B		110	120
D-PF010-125110B		110	40	D-PF010-280160B	280	160	100
D-PF010-140075B		75	55	D-PF010-280200B		200	80
D-PF010-140090B		90	45	D-PF010-280225B		225	70
D-PF010-140110B	140	110	40	D-PF010-280250B		250	60
D-PF010-140125B		125	40	D-PF010-315090B		90	160
D-PF010-160063B		63	65	D-PF010-315110B		110	150
D-PF010-160090B		90	55	D-PF010-315125B		125	150
D-PF010-160110B	160	110	50	D-PF010-315140B		140	160
D-PF010-160125B		125	40	D-PF010-315160B	315	160	125
D-PF010-160140B		140	40	D-PF010-315200B		200	105
D-PF010-200063J		63	105	D-PF010-315225B		225	100
D-PF010-200090J		90	100	D-PF010-315250B		250	95
D-PF010-200110J	200	110	90	D-PF010-315280B		280	80
D-PF010-200125J		125	80				
D-PF010-200160B		160	70				

TECHNICAL DATA

All the components can be substituted with equivalent or higher-class materials.

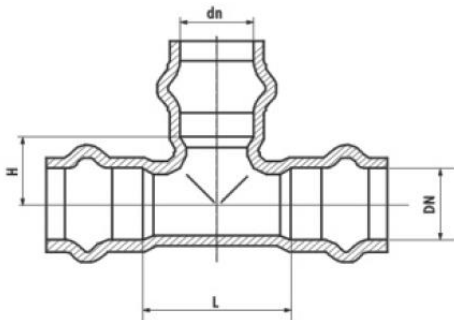
DAVINCI VALVES LTD, is constantly looking at all ways of improving our products and services related to the water, fire and industry sector and therefore we reserve the right to change, without prior notice, any of the data contained here. Please contact our Technical Sales Department for detailed advice.
 © 2018 DAVINCI VALVES LTD.
 www.davincivalves.com info@davincivalves.com +34 616553797 / +86 17340168233
 18 Dongyu Street, Square One 11th Floor 1101, Jinjiang District, Chengdu, Sichuan Province, China



FITTINGS All Socket Tee For PVC

ref.1000A / PN 10-16

All Socket Tee For PVC



PF005	DN	dn	L	H	PF005	DN	dn	L	H
D-PF005-040040A	40	40	60	25	D-PF005-200063A	63	110	105	
D-PF005-050050A	50	50	60	30	D-PF005-200090A	90	140	105	
D-PF005-063063A	63	63	70	30	D-PF005-200110A	110	160	105	
D-PF005-075063A		63	70	45	D-PF005-200125A	125	160	105	200
D-PF005-075075A		75	85	45	D-PF005-200140A	140	185	105	
D-PF005-090063A		63	75	50	D-PF005-200160A	160	210	105	
D-PF005-090075A	90	75	90	50	D-PF005-200180A	180	230	105	
D-PF005-090090A		90	105	50	D-PF005-200200A	200	240	105	
D-PF005-110063A		63	75	60	D-PF005-225063A	63	110	120	
D-PF005-110075A		75	90	60	D-PF005-225090A	90	140	120	225
D-PF005-110090A	110	90	105	60	D-PF005-225110A	110	160	120	
D-PF005-110110A		110	125	60	D-PF005-225160A	160	210	120	
D-PF005-125063A		63	75	70	D-PF005-225200A	200	240	120	225
D-PF005-125075A		75	90	70	D-PF005-225225A	225	260	120	
D-PF005-125090A	125	90	105	70	D-PF005-250090A	90	155	130	
D-PF005-125110A		110	125	70	D-PF005-250110A	110	175	130	
D-PF005-125125A		125	150	70	D-PF005-250160A	160	225	130	250
D-PF005-140063A		63	75	75	D-PF005-250200A	200	250	130	
D-PF005-140075A		75	90	75	D-PF005-250225A	225	270	130	
D-PF005-140090A		90	105	75	D-PF005-250250A	250	300	130	
D-PF005-140110A	140	110	125	75	D-PF005-280090A	90	155	145	
D-PF005-140125A		125	150	75	D-PF005-280110A	110	175	145	
D-PF005-140140A		140	150	75	D-PF005-280160A	160	225	145	280
D-PF005-160063A		63	75	85	D-PF005-280200A	200	250	145	
D-PF005-160075A		75	90	85	D-PF005-280250A	250	300	145	
D-PF005-160090A		90	105	85	D-PF005-280280A	280	325	145	
D-PF005-160110A	160	110	125	85	D-PF005-315075A	75	150	170	
D-PF005-160125A		125	125	85	D-PF005-315090A	90	170	170	
D-PF005-160140A		140	150	85	D-PF005-315110A	110	175	165	
D-PF005-160160A		160	175	85	D-PF005-315140A	140	200	175	
D-PF005-180063A		63	75	95	D-PF005-315160A	160	225	165	315
D-PF005-180090A		90	105	95	D-PF005-315200A	200	250	165	
D-PF005-180110A	180	110	125	95	D-PF005-315250A	250	300	165	
D-PF005-180160A		160	175	95	D-PF005-315280A	280	325	165	
D-PF005-180180A		180	190	95	D-PF005-315315A	315	375	165	

TECHNICAL DATA

All the components can be substituted with equivalent or higher-class materials.

DAVINCI VALVES LTD, is constantly looking at all ways of improving our products and services related to the water, fire and industry sector and therefore we reserve the right to change, without prior notice, any of the data contained here. Please contact our Technical Sales Department for detailed advice.

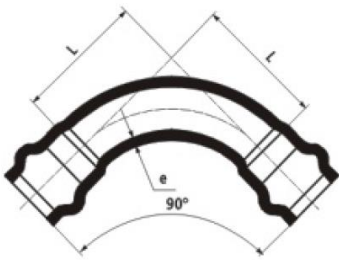
© 2018 DAVINCI VALVES LTD.

www.davincivalves.com info@davincivalves.com +34 616553797 / +86 17340168233
18 Dongyu Street, Square One 11th Floor 1101. Jinjiang District, Chengdu, Sichuan Province, China

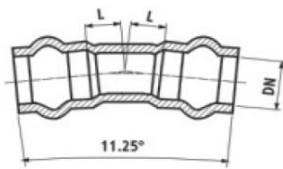
FITTINGS 11.25,22.5,45,90 PVC Bend

ref.1000A / PN 10-16

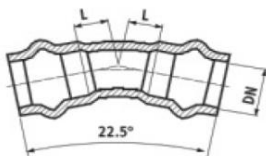
11.25°、22.5°、45°、90° PVC Bend



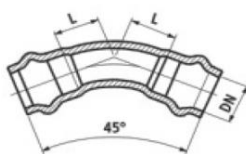
PF004 MMK-KS90°



PF003 MMK-KS11.25°



PF003 MMK-KS22.5°



PF003 MMK-KS45°

PF001 MMK-KS11.25°

PF001	DN	L
D-PF001-11063A	63	20
D-PF001-11075A	75	25
D-PF001-11090A	90	25
D-PF001-11110A	110	30
D-PF001-11125A	125	30
D-PF001-11140A	140	30
D-PF001-11160A	160	30
D-PF001-11180A	180	30
D-PF001-11200A	200	30
D-PF001-11225A	225	40
D-PF001-11250A	250	45
D-PF001-11280A	280	50
D-PF001-11315A	315	55

PF002 MMK-KS22.5°

PF002	DN	L
D-PF002-22040A	40	20
D-PF002-22040A	50	20
D-PF002-22040A	63	20
D-PF002-22040A	75	25
D-PF002-22040A	90	25
D-PF002-22040A	110	30
D-PF002-22040A	125	30
D-PF002-22040A	140	30
D-PF002-22040A	160	35
D-PF002-22040A	180	40
D-PF002-22040A	200	40
D-PF002-22040A	225	45
D-PF002-22040A	250	50
D-PF002-22040A	280	75
D-PF002-22040A	315	85

PF003 MMK-KS75°

PF003	DN	L
D-PF003-45040A	40	20
D-PF003-45050A	50	20
D-PF003-45063A	63	20
D-PF003-45075A	75	25
D-PF003-45090A	90	25
D-PF003-45110A	110	30
D-PF003-45125A	125	30
D-PF003-45140A	140	30
D-PF003-45160A	160	35
D-PF003-45180A	180	40
D-PF003-45200A	200	40
D-PF003-45225A	225	45
D-PF003-45250A	250	50
D-PF003-45280A	280	75
D-PF003-45315A	315	85

PF004 MMK-KS90°

PF004	DN	L
D-PF004-90063A	63	85
D-PF004-90075A	75	90
D-PF004-90090A	90	90
D-PF004-90110A	110	95
D-PF004-90125A	125	125
D-PF004-90140A	140	135
D-PF004-90160A	160	145
D-PF004-90180A	180	150
D-PF004-90200A	200	160
D-PF004-90225A	225	165
D-PF004-90250A	250	190
D-PF004-90280A	280	195
D-PF004-90315A	315	220

TECHNICAL DATA

All the components can be substituted with equivalent or higher-class materials.

DAVINCI VALVES LTD, is constantly looking at all ways of improving our products and services related to the water, fire and industry sector and therefore we reserve the right to change, without prior notice, any of the data contained here. Please contact our Technical Sales Department for detailed advice.

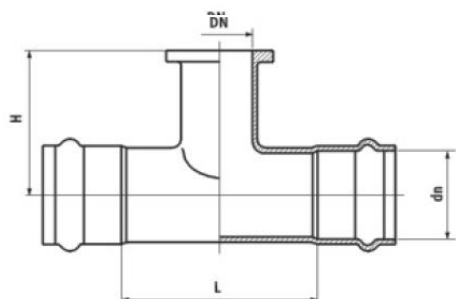
© 2018 DAVINCI VALVES LTD.

www.davincivalves.com info@davincivalves.com +34 616553797 / +86 17340168233
18 Dongyu Street, Square One 11th Floor 1101. Jinjiang District, Chengdu, Sichuan Province, China

FITTINGS Double Socket Tee PVC with Loose Flange

ref.1000A / PN 10-16

Double Socket Tee PVC With Loose Flange



PF006	dn	DN	L	H	PF006	dn	DN	L	H
D-PF006-6040040A	40	40	60	130	D-PF006-6200050A	50	110	200	
D-PF006-6050040A	50	40	60	130	D-PF006-6200060A	60	125	230	
D-PF006-6063040A		40	70	140	D-PF006-6200080A	80	140	230	
D-PF006-6063050A	63	50	70	140	D-PF006-6200100A	100	160	250	
D-PF006-6063060A		60	70	140	D-PF006-6200125A	200	125	185	20
D-PF006-6075040A	40	60	140		D-PF006-6200150A	150	210	250	
D-PF006-6075050A	75	50	70	140	D-PF006-6200200A	200	260	250	
D-PF006-6075060A		60	85	140	D-PF006-6225060A	60	125	230	
D-PF006-6090040A	40	65	160		D-PF006-6225080A	80	140	230	
D-PF006-6090050A	50	75	160		D-PF006-6225100A	225	100	160	230
D-PF006-6090060A	90	60	90	160	D-PF006-6225125A	125	185	260	
D-PF006-6090080A	80	105	160		D-PF006-6225150A	225	150	210	260
D-PF006-6090100A		100	120	160	D-PF006-6225200A	225	200	260	260
D-PF006-6110040A	40	65	170		D-PF006-6250060A	60	140	260	
D-PF006-6110050A	50	75	170		D-PF006-6250080A	80	155	260	
D-PF006-6110060A	110	60	90	170	D-PF006-6250100A	100	175	260	
D-PF006-6110080A		80	105	170	D-PF006-6250125A	250	125	200	260
D-PF006-6110100A		100	125	170	D-PF006-6250150A	150	225	290	
D-PF006-6125040A	40	65	170		D-PF006-6250200A	200	275	290	
D-PF006-6125060A	60	90	170		D-PF006-6250250A	250	325	290	
D-PF006-6125065A		65	90	170	D-PF006-6280060A	60	140	260	
D-PF006-6125080A	125	80	105	170	D-PF006-6280080A	80	155	265	
D-PF006-6125100A		100	125	180	D-PF006-6280110A	100	175	270	
D-PF006-6125125A		125	150	180	D-PF006-6280150A	280	150	225	280
D-PF006-6140040A	40	65	170		D-PF006-6280200A	200	275	280	
D-PF006-6140050A	50	75	170		D-PF006-6280250A	250	325	290	
D-PF006-6140060A		60	90	180	D-PF006-6315060A	60	130	275	
D-PF006-6140080A	140	80	105	185	D-PF006-6315080A	80	155	295	
D-PF006-6140100A		100	125	200	D-PF006-6315100A	100	175	300	
D-PF006-6140125A		125	150	200	D-PF006-6315150A	315	150	225	310
D-PF006-6160040A	40	65	170		D-PF006-6315200A	200	275	310	
D-PF006-6160050A	50	75	170		D-PF006-6315250A	250	325	310	
D-PF006-6160060A	60	90	190		D-PF006-6315300A	300	375	310	
D-PF006-6160080A	160	80	105	200					
D-PF006-6160100A		100	125	210					
D-PF006-6160125A		125	150	220					
D-PF006-6160150A		150	175	220					

TECHNICAL DATA

All the components can be substituted with equivalent or higher-class materials.

DAVINCI VALVES LTD, is constantly looking at all ways of improving our products and services related to the water, fire and industry sector and therefore we reserve the right to change, without prior notice, any of the data contained here. Please contact our Technical Sales Department for detailed advice.

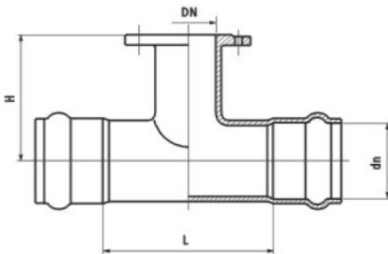
© 2018 DAVINCI VALVES LTD.

www.davincivalves.com info@davincivalves.com +34 616553797 / +86 17340168233
18 Dongyu Street, Square One 11th Floor 1101. Jinjiang District, Chengdu, Sichuan Province, China

FITTINGS Double Socket Tee PVC with Fixed Flange

ref.1000A / PN 10-16

Double Socket Tee PVC With Fixed Flange



D-PF007	dn	DN	L	H	D-PF007	dn	DN	L	H
D-PF007-6040040A	40	40	60	130	D-PF007-6200040A	40	100	195	
D-PF007-6050040A	50	40	60	130	D-PF007-6200050A	50	110	195	
D-PF007-6063040A		40	70	140	D-PF007-6200060A	60	125	215	
D-PF007-6063050A	63	50	70	140	D-PF007-6200065A	65	125	215	
D-PF007-6063060A		60	70	140	D-PF007-6200080A	200	80	140	225
D-PF007-6075040A		40	60	130	D-PF007-6200100A		100	160	230
D-PF007-6075050A		50	70	140	D-PF007-6200125A		125	185	240
D-PF007-6075060A	75	60	85	140	D-PF007-6200150A		150	210	240
D-PF007-6075065A		65	85	140	D-PF007-6200200A		200	260	250
D-PF007-6090040A		40	65	136	D-PF007-6225040A		40	100	195
D-PF007-6090050A		50	75	145	D-PF007-6225050A		50	110	195
D-PF007-6090060A	90	60	90	155	D-PF007-6225060A		60	125	215
D-PF007-6090065A		65	90	155	D-PF007-6225065A		65	125	215
D-PF007-6090080A		80	105	160	D-PF007-6225080A	225	80	140	225
D-PF007-6110040A		40	65	145	D-PF007-6225100A		100	160	230
D-PF007-6110050A		50	75	145	D-PF007-6225125A		125	185	240
D-PF007-6110060A		60	90	165	D-PF007-6225150A		150	210	245
D-PF007-6110065A	110	65	90	165	D-PF007-6225200A		200	260	260
D-PF007-6110080A		80	105	170	D-PF007-6250060A		60	140	250
D-PF007-6110100A		100	125	170	D-PF007-6250065A		65	140	250
D-PF007-6125040A		40	65	160	D-PF007-6250080A		80	155	250
D-PF007-6110060A	110	60	90	165	D-PF007-6250100A	250	100	175	255
D-PF007-6110065A		65	90	165	D-PF007-6250125A		125	200	260
D-PF007-6110080A		80	105	170	D-PF007-6250150A		150	225	265
D-PF007-6110100A		100	125	170	D-PF007-6250200A		200	275	275
D-PF007-6125040A		40	65	160	D-PF007-6250250A		250	325	285
D-PF007-6125060A		60	90	160	D-PF007-6280060A		60	140	260
D-PF007-6125065A	125	65	90	160	D-PF007-6280065A		65	140	260
D-PF007-6125080A		80	105	170	D-PF007-6280080A		80	155	265
D-PF007-6125100A		100	125	180	D-PF007-6280100A	280	100	175	270
D-PF007-6125125A		125	150	180	D-PF007-6280150A		150	225	280
D-PF007-6140040A		40	65	100	D-PF007-6280200A		200	275	280
D-PF007-6140060A	140	60	90	180	D-PF007-6280250A		250	325	290
D-PF007-6140065A		65	90	180	D-PF007-6315060A		60	140	290
D-PF007-6140080A		80	105	185	D-PF007-6315065A		65	140	290
D-PF007-6140100A	140	100	125	195	D-PF007-6315080A		80	255	295
D-PF007-6140125A		125	150	200	D-PF007-6315100A		100	275	300
D-PF007-6160040A		40	65	170	D-PF007-6315125A	315	125	200	305
D-PF007-6160050A		50	75	170	D-PF007-6315150A		150	225	310
D-PF007-6160060A		60	90	190	D-PF007-6315200A		200	275	310
D-PF007-6160065A	160	65	90	190	D-PF007-6315250A		250	325	310
D-PF007-6160080A		80	105	200	D-PF007-6315300A		300	375	310
D-PF007-6160100A		100	125	205					
D-PF007-6160125A		125	150	210					
D-PF007-6160150A		150	175	220					
D-PF007-6180040A		40	65	195					
D-PF007-6180050A		50	75	195					
D-PF007-6180060A		60	90	215					
D-PF007-6180065A		65	90	215					
D-PF007-6180080A	180	80	105	225					
D-PF007-6180100A		100	125	230					
D-PF007-6180125A		125	150	240					
D-PF007-6180150A		150	175	245					
D-PF007-6180200A		200	220	250					

TECHNICAL DATA

All the components can be substituted with equivalent or higher-class materials.

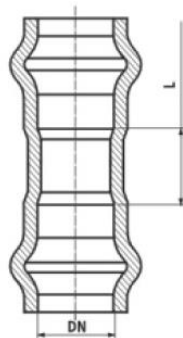
DAVINCI VALVES LTD. is constantly looking at all ways of improving our products and services related to the water, fire and industry sector and therefore we reserve the right to change, without prior notice, any of the data contained here. Please contact our Technical Sales Department for detailed advice.

© 2018 DAVINCI VALVES LTD.
www.davincivalves.com info@davincivalves.com +34 616553797 / +86 17340168233
18 Dongyu Street, Square One 11th Floor 1101, Jinjiang District, Chengdu, Sichuan Province, China

FITTINGS Double Socket Pipe For PVC/ Duck Foot Flanged Bend 90

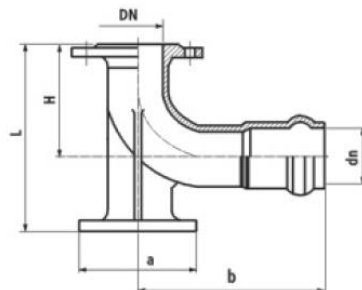
ref.1000A / PN 10-16

Double Socket Pipe For PVC



PF008	DN	L
D-PF008-063A	63	210
D-PF008-075A	75	222
D-PF008-090A	90	234
D-PF008-110A	110	251
D-PF008-125A	125	261
D-PF008-140A	140	315
D-PF008-160A	160	334
D-PF008-180A	180	352
D-PF008-200A	200	380
D-PF008-225A	225	451
D-PF008-250A	250	530
D-PF008-280A	280	494
D-PF008-315A	315	660

PVC Socket Duck foot Flange Bend 90°



PF011	dn	DN	a	b	L	H
D-PF011-090080J	90	80	180	260	288	180
D-PF011-110080J	110	80	180	250	240	115
D-PF011-110100J		100	200	295	320	200
D-PF011-160080J	160	80	180	300	310	165
D-PF011-160150J		150	250	295	385	220

TECHNICAL DATA

All the components can be substituted with equivalent or higher-class materials.

DAVINCI VALVES LTD, is constantly looking at all ways of improving our products and services related to the water, fire and industry sector and therefore we reserve the right to change, without prior notice, any of the data contained here. Please contact our Technical Sales Department for detailed advice.

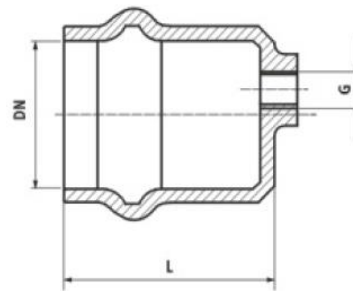
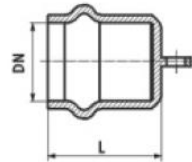
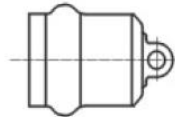
© 2018 DAVINCI VALVES LTD.

www.davincivalves.com info@davincivalves.com +34 616553797 / +86 17340168233
18 Dongyu Street, Square One 11th Floor 1101. Jinjiang District, Chengdu, Sichuan Province, China

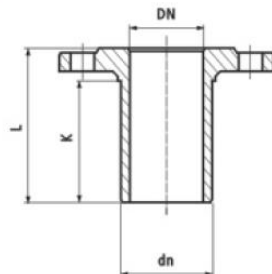
FITTINGS End Cup For PVC/ Flange Spigot For PVC

ref.1000A / PN 10-16

End Cup For PVC



Flange Spigot For PVC



PF013	DN	G	L
D-PF013-050J	50	1"	98
D-PF013-063J	63	1"	100
D-PF013-075J	75	1"	115
D-PF013-090J	90	1"	130
D-PF013-110J	110	2"	140
D-PF013-125J	125	2"	150
D-PF013-140J	140	2"	155
D-PF013-160J	160	2"	160
D-PF013-180J	180	2"	180
D-PF013-200J	200	2"	195
D-PF013-225J	225	2"	210
D-PF013-250J	250	2"	215
D-PF013-280J	280	2"	215
D-PF013-315J	315	2"	215

A-LF014	dn(mm)	DN(mm)	L(mm)	K(mm)
A-LF014-606350A	63	50	120	94
A-LF014-606360A		60	122	94
A-LF014-607560A	75	60	126	99
A-LF014-607565A		65	126	99
A-LF014-609080A	90	80	131	103
A-LF014-6110100A	110	100	138	111
A-LF014-6125125A	125	125	145	115
A-LF014-6140125A	140	125	148	120
A-LF014-6160150A	160	150	158	128
A-LF014-0100200A	200	200	170	140
A-LF014-0225200A	225	200	178	148
A-LF014-0250250A	250	250	190	157
A-LF014-0315300A	315	300	214	177
A-LF014-0400400A	400	400	250	190
A-LF014-0280250A	280	250	202	177

TECHNICAL DATA

All the components can be substituted with equivalent or higher-class materials.

DAVINCI VALVES LTD, is constantly looking at all ways of improving our products and services related to the water, fire and industry sector and therefore we reserve the right to change, without prior notice, any of the data contained here. Please contact our Technical Sales Department for detailed advice.

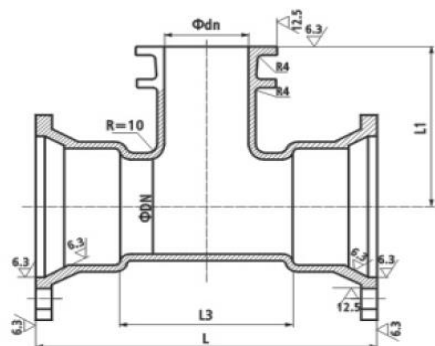
© 2018 DAVINCI VALVES LTD.

www.davincivalves.com info@davincivalves.com +34 616553797 / +86 17340168233
18 Dongyu Street, Square One 11th Floor 1101. Jinjiang District, Chengdu, Sichuan Province, China

FITTINGS MJ Socket Bend with Loose Flanged Branch

ref.1000A / PN 10-16

MJ Socket Bend With Loose Flanged Branch



DN	L	L1	L3	DN	L	L1	L3
60/40		130		400/100	410	360	210
60/60		150		400/150	470	370	270
80/40	315	135	115	400/200	525	380	325
80/60		155		400/250	585	390	385
80/80	335	165	175	400/300	640	400	440
100/40		145		400/400	760	420	560
100/60	315	165	155	450/100	435	390	215
100/80	325	170	165	450/150	490	400	270
100/100	355	180	195	450/200	550	410	330
125/60	335	180	155	450/280	610	420	390
125/80	335	185	175	450/300	665	430	445
125/100	375	195	195	450/400	780	450	560
125/125	405	200	225	450/450	325	460	620
150/60	340	190	160	500/100	435	420	215
150/80	360	200	180	500/150	495	430	275
150/100	380	205	200	500/200	550	440	330
150/125	410	215	230	500/250	610	450	390
150/150	440	220	260	500/300	670	460	450
200/60	345	215	165	500/300	670	460	450
200/80	355	225	175	500/400	785	480	565
200/100	380	230	200	500/450	800	490	580
200/150	435	245	255	500/500	900	500	680
200/200	495	260	315	600/100	460	480	220
250/80	360	265	180	600/150	520	490	280
250/100	380	270	200	600/200	580	500	340
250/150	440	280	260	600/250	635	510	495
250/200	495	290	315	600/300	695	520	455
250/250	555	300	375	600/400	810	540	570
300/80	380	295	180	600/600	1040	580	800
300/100	405	300	205	700/100		520	
300/150	460	310	260	700/150	605		345
300/200	520	320	320	700/200		525	
300/250	580	330	380	700/250	625	535	365
300/300	640	340	440	700/400	835	555	575
350/80	385	325	185	700/600	1175	585	915
350/100	405	330	205	700/700	1185	600	925
350/150	470	340	270	800/150	605	550	325
350/200	525	350	325	800/200	630	560	350
350/250	585	360	385	800/250	640	570	360
350/350	695	380	495	800/400		615	580
400/80	385	355	185	800/500	860	615	580
				800/600	1300	645	1020
				800/800	1325	675	1045

TECHNICAL DATA

All the components can be substituted with equivalent or higher-class materials.

DAVINCI VALVES LTD, is constantly looking at all ways of improving our products and services related to the water, fire and industry sector and therefore we reserve the right to change, without prior notice, any of the data contained here. Please contact our Technical Sales Department for detailed advice.

© 2018 DAVINCI VALVES LTD.

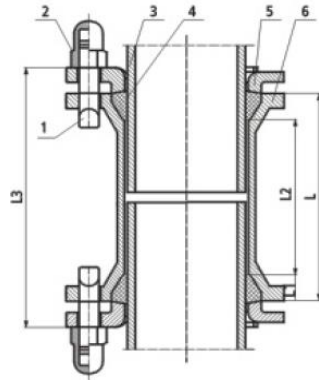
www.davincivalves.com info@davincivalves.com +34 616553797 / +86 17340168233

18 Dongyu Street, Square One 11th Floor 1101. Jinjiang District, Chengdu, Sichuan Province, China

FITTINGS Socket Flange Pipe For PVC/ Socket Taper for PVC

ref.1000A / PN 10-16

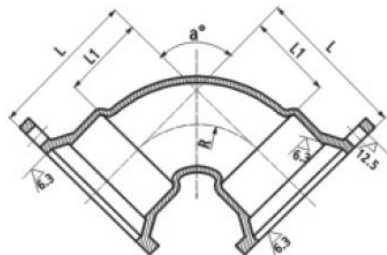
MJ Socket Collar



No.	Part	Material
1	Bolt	Carbon steel
2	Nut	Carbon steel
3	Spigot	QT500-7
4	Seal ring	EPDM
5	Glang	QT500-7
6	Flang socket	QT500-7
7	Loose flange	QT500-7

DN	L	L1	L2	L3
60	203	24	155	243
80	208		160	248
100	214			258
125	219		165	263
150			170	272
200	224		175	281
250	229		180	286
300	234	27	185	293
350	239		190	302
400	244		195	317
450	249		200	326
500	254		210	338
600	264		220	376
700	290	35	230	390
800	300			

MJ Socket Bend



DN	90°		45°		22.5°		11.25°					
	L	R	L	R	L	R	L	R				
60	160	80	125	45	108.5	115	35	178.5	105	25	256	
80	165	85	135	55	132.5		120	40	204	110	30	307
100	180	100	145	65	157							
125	205	115	165	75	181	140	50	255				
150	220	130	175	85	205	145	55	280.5	125	35	358	
200	250	160	200	110	265.5	155	65	331.5	130	40	409	
250	330	240	220	130	314	165	75	382.5	140	50	512	
300	380	280	250	150	365	185	85	433.5	155	55	563	
350	468	368	275	175	422.5	195	95	484.5	160	60	614	
400	515	415	295	195	470.5	210	110	561	165	65	666	
450	571	461	330	220	531	230	120	621	180	70	717	
500	618	508	350	240	579	240	130	663	185	75	768	
600	720	600	405	285	688	270	150	765	205	85	870	
700	823	693	460	330	796	305	175	892	225	95	972	
800	921	781	510	370	893	335	195	994	250	110	1125	

TECHNICAL DATA

All the components can be substituted with equivalent or higher-class materials.

DAVINCI VALVES LTD, is constantly looking at all ways of improving our products and services related to the water, fire and industry sector and therefore we reserve the right to change, without prior notice, any of the data contained here. Please contact our Technical Sales Department for detailed advice.

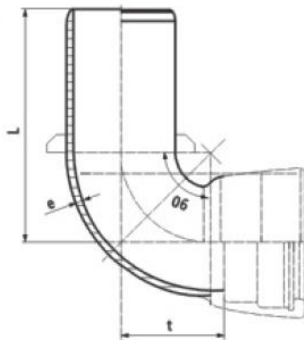
© 2018 DAVINCI VALVES LTD.

www.davincivalves.com info@davincivalves.com +34 616553797 / +86 17340168233
18 Dongyu Street, Square One 11th Floor 1101. Jinjiang District, Chengdu, Sichuan Province, China

FITTINGS T Type Socket Spigot 90 Bend/ T Type All Socket Tee

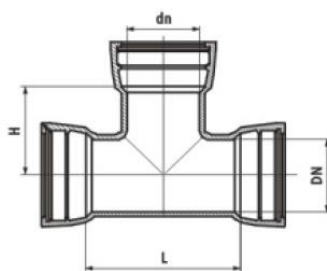
ref.1000A / PN 10-16

T Type Socket Spigot 90° Bend



DN (mm)	e	t	L	(KG)
40	7	60	240	/ /
50	7	70	250	/ /
60	7	80	260	/ /
65	7	85	265	/ /
80	7	100	280	/ /
100	7.2	120	300	/ /
125	7.5	145	325	/ /
150	7.8	170	350	/ /
200	8.4	220	400	/ /
250	9	270	450	/ /
300	9.6	320	500	/ /
350	10.2	370	550	/ /
400	10.8	420	600	/ /
450	11.4	470	670	/ /
500	12	520	720	/ /
600	13.2	620	820	/ /
700	14.4	720	900	/ /
800	15.6	820	1000	/ /
900	16.8	920	1100	/ /
1000	18	1020	1200	/ /
1100	19.2	1120	1300	/ /
1200	20.4	1220	1400	/ /
1400	22.8	1220	1400	/ /
1500	24	1270	1525	/ /
1600	25.2	1290	1555	/ /
1800	27.6	1320	1560	/ /

T Type All Socket Tee



SF005	DN	dn	L	H
B-SF005-0400A	40	40	120	60
B-SF005-0501A	50	50	130	65
B-SF005-0602A	60	60	145	70
B-SF005-0653A	65	65	150	75
B-SF005-0800A	80	40	120	80
B-SF005-0804A	80	80	170	85
B-SF005-1000A		40	120	90
B-SF005-1002A	100	60	145	90
B-SF005-1004A		80	170	95
B-SF005-1005A		100	190	95
B-SF005-1250A		40	125	100
B-SF005-1254A		80	170	105
B-SF005-1255A	125	100	195	110
B-SF005-1256A		125	225	110
B-SF005-1500A		40	125	115
B-SF005-1504A		80	170	120
B-SF005-1505A	150	100	195	120
B-SF005-1507A		150	255	125
B-SF005-2000A		40	130	140
B-SF005-2004A		80	175	145
B-SF005-2005A	200	100	200	145
B-SF005-2007A		150	255	150
B-SF005-2008A		200	315	155
B-SF005-2504A		80	180	170
B-SF005-2505A		100	200	170
B-SF005-2507A	260	150	260	175
B-SF005-2508A		200	315	180
B-SF005-2509A		250	375	190

SF005	DN	dn	L	H
B-SF005-3005A	100	205	195	
B-SF005-3007A	150	260	200	
B-SF005-3008A	200	320	205	
B-SF005-3009A	300	250	375	210
B-SF005-3010A	300	435	220	
B-SF005-3504A	80	225	250	
B-SF005-3505A	350	100	225	250
B-SF005-3507A	150	340	265	
B-SF005-3511A	350	515	270	
B-SF005-4004A	80	225	275	
B-SF005-4005A	100	225	280	
B-SF005-4007A	400	150	340	290
B-SF005-4012A	400	575	300	
B-SF005-4504A	80	230	310	
B-SF005-4505A	100	230	315	
B-SF005-4507A	450	150	345	320
B-SF005-4510A	300	635	325	
B-SF005-4513A	450	635	330	
B-SF005-5004A	80	230	335	
B-SF005-5005A	100	230	340	
B-SF005-5007A	500	150	350	345
B-SF005-5010A	300	580	350	
B-SF005-5014A	500	698	360	
B-SF005-6004A	80	335	390	
B-SF005-6005A	100	335	395	
B-SF005-6007A	600	150	335	400
B-SF005-6010A	300	385	405	
B-SF005-6013A	450	820	410	
B-SF005-3015A	600	820	420	

All the components can be substituted with equivalent or higher-class materials.

DAVINCI VALVES LTD, is constantly looking at all ways of improving our products and services related to the water, fire and industry sector and therefore we reserve the right to change, without prior notice, any of the data contained here. Please contact our Technical Sales Department for detailed advice.

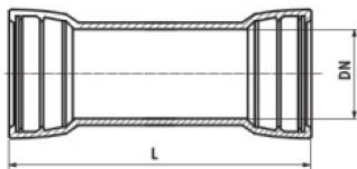
© 2018 DAVINCI VALVES LTD.

www.davincivalves.com info@davincivalves.com +34 616553797 / +86 17340168233
18 Dongyu Street, Square One 11th Floor 1101, Jinjiang District, Chengdu, Sichuan Province, China

FITTINGS T Type Double Socket Pipe/ Double Socket Taper

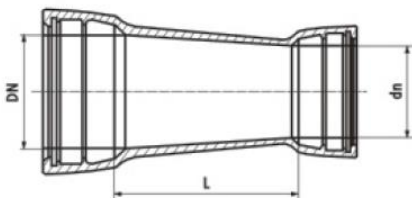
ref.1000A / PN 10-16

T Type Double Socket Pipe



SF008	DN	L
B-SF008-6040J	80	160
B-SF008-6100J	100	160
B-SF008-6125J	125	165
B-SF008-6150J	150	165
B-SF008-6200J	200	170
B-SF008-6250J	250	175
B-SF008-6300J	300	180
B-SF008-6350J	350	185
B-SF008-6400J	400	190
B-SF008-6450J	450	195
B-SF008-6500J	500	200
B-SF008-6600J	600	210

Double Socket Taper



SF010	DN	dn	L	SF010	DN	dn	L
B-SF010-60500A	50	40	70	B-SF010-63508A	200	360	
B-SF010-60601A	60	50	70	B-SF010-63509A	350	250	260
B-SF010-60653A	65	50	80	B-SF010-63510A	300	160	
B-SF010-60800B	40	80		B-SF010-64008J	200	460	
B-SF010-60801J	80	50	90	B-SF010-64009A	400	250	360
B-SF010-60802A	60	90		B-SF010-64010A	300	260	
B-SF010-60803A	65	80		B-SF010-64011A	350	160	
B-SF010-61002B	100	60	120	B-SF010-64509A	250	460	
B-SF010-61004A	80	90		B-SF010-64510A	450	300	360
B-SF010-61252B	60	190		B-SF010-64511A	350	260	
B-SF010-61254B	125	80	135	B-SF010-64012A	400	160	
B-SF010-61255A	100	100		B-SF010-65009A	250	560	
B-SF010-61504A	80	190		B-SF010-65010A	300	460	
B-SF010-61505A	150	100	150	B-SF010-65011A	500	350	360
B-SF010-61506A	125	100		B-SF010-65012A	400	260	
B-SF010-62005A	200	100	250	B-SF010-65013A	450	160	
B-SF010-62007A	150	150		B-SF010-66010A	300	660	
B-SF010-62506A	125	300		B-SF010-66011A	350	560	
B-SF010-62507A	250	150	250	B-SF010-66012A	600	400	460
B-SF010-62508A	200	200		B-SF010-66013A	450	360	
B-SF010-63007A	150	350		B-SF010-66014A	500	260	
B-SF010-63008A	300	200	350				
B-SF010-63009A	250	150					

TECHNICAL DATA

All the components can be substituted with equivalent or higher-class materials.

DAVINCI VALVES LTD, is constantly looking at all ways of improving our products and services related to the water, fire and industry sector and therefore we reserve the right to change, without prior notice, any of the data contained here. Please contact our Technical Sales Department for detailed advice.

© 2018 DAVINCI VALVES LTD.

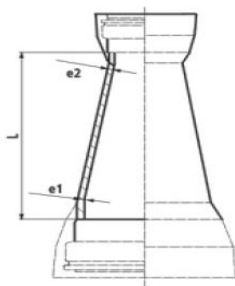
www.davincivalves.com info@davincivalves.com +34 616553797 / +86 17340168233
18 Dongyu Street, Square One 11th Floor 1101, Jinjiang District, Chengdu, Sichuan Province, China



FITTINGS Double Socket Taper

ref.1000A / PN 10-16

Double Socket Taper



DN(mm)	e1	dn	e2	L	(KG)	
					T	K
100	7.5	80	7	90	8.5	12.3
150	7.8	80	7	190	13.5	17.5
		100	7.2	150	13.8	18.7
200	8.4	80	7	290	20.5	23.0
		100	7.2	250	20.5	25.2
		150	7.8	150	21.0	26.0
250	9	80	7	390	28.5	31.0
		100	7.2	330	28.5	32.2
		150	7.8	250	29.0	33.2
		200	8.4	150	29.0	33.0
300	9.6	80	7	490	39.0	42.9
		100	7.2	430	39.0	46.9
		150	7.8	350	39.5	46.9
		200	8.4	250	39.5	46.8
		250	9	150	38.5	45.7
350	10.2	80	7	600	51.5	57.9
		100	7.2	560	51.5	58.6
		150	7.8	460	52.0	60.1
		200	8.4	360	52.0	60.1
		250	9	260	51.0	74.3
		300	9.6	160	49.5	64.9
400	10.8	80	7	700	64.0	71.4
		100	7.2	660	65.0	72.3
		150	7.8	560	66.5	78.4
		200	8.4	460	67.0	78.3
		250	9	360	66.0	77.2
		300	9.6	260	64.0	80.1
		350	10.2	160	62.0	78.0
450	11.4	80	7	800	87.9	88.2
		100	7.2	760	87.9	94.2
		150	7.8	660	88.9	95.3
		200	8.4	560	89.2	95.3
		250	9	460	88.9	94.2
500	12	300	9.6	360	88.1	97.1
		350	10.2	260	86.0	95.0
		400	10.8	160	83.1	92.0
		80	7	900	101.0	109.8
		100	7.2	860	102.0	106.0
		150	7.8	760	101.0	114.0
600	13.2	200	8.4	660	101.0	114.0
		250	9	560	101.0	113.0
		300	9.6	460	100.0	116.0
		350	10.2	360	98.0	115.0
		400	10.8	260	94.0	111.0
700	14.4	450	11.4	160	99.5	106.0
		80	7	1100	152.0	153.0
		100	7.2	1060	152.0	153.0
		150	7.8	960	153.0	159.0
800	15.6	200	8.4	860	154.0	159.0
		250	9	760	153.0	158.0
		300	9.6	660	152.0	161.0
		350	10.2	560	151.0	159.0
		400	10.8	460	142.0	156.0
900	16.8	450	11.4	360	149.0	151.0
		500	12	260	131.0	145.0
		200	8.4	1080	215.9	212.9
		250	9	980	216.1	212.3
		300	9.6	880	218.5	216.3
		350	10.2	780	212.4	212.9
		400	10.8	680	206.7	208.5
		450	11.4	580	199.6	204.1
		500	12	480	194.0	204.0
		600	13.2	280	178.0	187.0
1000	18	400	10.8	880	285.0	277.9
		450	11.4	780	277.7	273.5
		500	12	680	272.2	266.6
		600	13.2	480	252.0	257.0
1100	19.2	700	14.4	280	229.0	236.0
		400	10.8	1080	387.4	266.6
		450	11.4	980	372.2	362.2
		500	12	880	366.8	355.4
		600	13.2	680	349.4	336.7
		700	14.4	480	337.4	327.0
		800	15.6	280	312.7	294.0
		600	13.2	880	476.0	445.0
		700	14.4	680	446.3	420.8
		800	15.6	480	392.0	403.0
1200	20.4	900	16.8	280	354.0	368.0
		600	13.2	1080	588.5	558.4
		700	14.4	880	576.5	535.6
		800	15.6	680	552.0	502.4
		900	16.8	480	521.0	465.6
1300	21.6	1000	18	280	479.2	421.8
		600	13.2	1280	745.0	691.8
		700	14.4	1080	729.6	669.1
		800	15.6	880	710.7	636.0
		900	16.8	680	674.3	599.3
		1000	18	480	632.6	555.6
		1100	19.2	280	584.8	492.4
		600	13.2	960	844.4	704.6
		700	14.4	860	855.6	705.0
		800	15.6	760	859.5	700.2
1400	22.8	900	16.8	660	862.8	697.7
		1000	18	560	861.6	694.5
		1100	19.2	460	861.4	678.9
		1200	20.4	360	862.2	660.1
		800	15.6	960	1207	978.7
1500	24	900	16.8	860	1220	985.7
		1000	18	760	1211	974.1
		1200	20.4	560	1212	940.9
1600	25.2	1400	22.8	360	1244	936.0
		1000	18	960	1547	1301
		1200	20.4	760	1549	1269
		1400	22.8	560	1581	1210
		1600	25.2	360	1605	1235
1700	26.4	1000	18	1160	/	1696
		1200	20.4	960	/	1663
		1400	22.8	760	/	1605
1800	27.6	1600	25.2	560	/	1560
		1800	27.6	360	/	1566
		1000	18	1360	/	2243
		1200	20.4	1160	/	2325
		1400	22.8	960	/	2288
1900	28.8	1600	25.2	760	/	2266
		1800	27.6	560	/	2211
		2000	30	360	/	2134
		1000	18	1490	/	2780
2000	30	1200	20.4	1360	/	2865
		1400	22.8	1160	/	2946
		1600	25.2	960	/	2892
		1800	27.6	760	/	2872
		2000	30	560	/	2797
2100	31.2	2200	32.4	360	/	2374
		1000	18	1560	/	3177
		1200	20.4	1460	/	3259
		1400	22.8	1360	/	3328
		1600	25.2	1160	/	3285
2200	32.4	1800	27.6	960	/	3208
		2000	30	760	/	3109
		2200	32.4	560	/	2971
		2400	34.8	360	/	2877

TECHNICAL DATA

All the components can be substituted with equivalent or higher-class materials.

DAVINCI VALVES LTD, is constantly looking at all ways of improving our products and services related to the water, fire and industry sector and therefore we reserve the right to change, without prior notice, any of the data contained here. Please contact our Technical Sales Department for detailed advice.

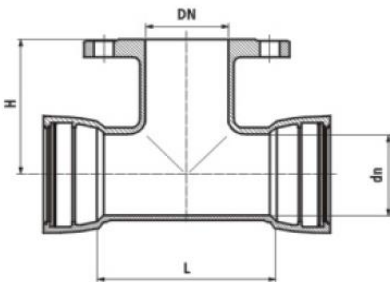
© 2018 DAVINCI VALVES LTD.

www.davincivalves.com info@davincivalves.com +34 616553797 / +86 17340168233
18 Dongyu Street, Square One 11th Floor 1101. Jinjiang District, Chengdu, Sichuan Province, China

FITTINGS "T" Type Double Socket with Flanged Branch Tee

ref.1000A / PN 10-16

"T" Type Double Socket With Flanged Branch Tee



SF006	dn	DN	L	H	SF006	dn	DN	L	H
B-SF006-60400A	40	40	120	130	B-SF006-63002B	60	165	290	
B-SF006-60501A	50	50	130	140	B-SF006-63004A	80	180	295	
B-SF006-60600B	60	40	155	130	B-SF006-63005A	100	205	300	
B-SF006-60602A		60	145	150	B-SF006-63007A	300	150	260	310
B-SF006-60650B	65	40	155	130	B-SF006-63008A	200	320	320	
B-SF006-60653A		65	150	150	B-SF006-63009B	250	380	330	
B-SF006-60800B	80	40	155	135	B-SF006-63010A	300	435	340	
B-SF006-60802B		60	155	155	B-SF006-63500B	60	170	320	
B-SF006-60804A	80	170	165	B-SF006-63504B	80	185	325		
B-SF006-61000B	100	40	155	145	B-SF006-63505A	100	205	330	
B-SF006-61002B		60	155	165	B-SF006-63507B	350	150	270	340
B-SF006-61004A	80	170	175	B-SF006-63508A	200	325	350		
B-SF006-61005A	100	195	180	B-SF006-63509B	250	385	360		
B-SF006-61250B	125	40	155	160	B-SF006-63511A	350	495	380	
B-SF006-61252B		60	155	180	B-SF006-64004A	80	185	355	
B-SF006-61254A	80	170	190	B-SF006-64005A	100	210	360		
B-SF006-61255A	100	195	195	B-SF006-64007A	150	270	370		
B-SF006-61256A	125	225	200	B-SF006-64008A	400	200	325	380	
B-SF006-61500B	150	40	160	170	B-SF006-64009B	250	385	390	
B-SF006-61502B		60	160	190	B-SF006-64010A	300	440	400	
B-SF006-61504A	80	170	205	B-SF006-64012A	400	560	420		
B-SF006-61505A	100	195	210	B-SF006-64505B	100	215	390		
B-SF006-61506B	125	230	215	B-SF006-64507B	150	270	400		
B-SF006-61507A	150	255	220	B-SF006-64508B	200	330	410		
B-SF006-62000B	200	40	165	195	B-SF006-64509B	450	250	390	420
B-SF006-62002B		60	165	215	B-SF006-64510B	300	445	430	
B-SF006-62004A	80	175	235	B-SF006-64512B	400	560	450		
B-SF006-62005A	100	200	240	B-SF006-64513B	450	620	460		
B-SF006-62006B	125	235	240	B-SF006-65005A	100	215	420		
B-SF006-62007A	150	255	250	B-SF006-65008A	200	330	440		
B-SF006-62008A	200	315	260	B-SF006-65012A	500	400	565	480	
B-SF006-62500B	250	60	165	260	B-SF006-65014A	500	680	500	
B-SF006-62504A		80	180	265	B-SF006-66008A	200	340	500	
B-SF006-62505A	100	200	270	B-SF006-66012A	600	400	570	540	
B-SF006-62506J	125	260	280	B-SF006-66015A	600	800	580		
B-SF006-62507A	150	315	290						
B-SF006-62508A	200	375	300						

TECHNICAL DATA

All the components can be substituted with equivalent or higher-class materials.

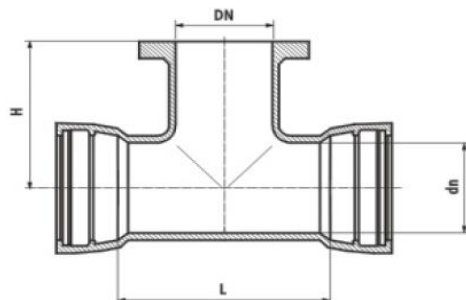
DAVINCI VALVES LTD, is constantly looking at all ways of improving our products and services related to the water, fire and industry sector and therefore we reserve the right to change, without prior notice, any of the data contained here. Please contact our Technical Sales Department for detailed advice.

© 2018 DAVINCI VALVES LTD.
www.davincivalves.com info@davincivalves.com +34 616553797 / +86 17340168233
18 Dongyu Street, Square One 11th Floor 1101, Jinjiang District, Chengdu, Sichuan Province, China

FITTINGS “T” Type Double Socket with Flanged Branch Tee

ref.1000A / PN 10-16

“T” Type Double Socket With Flanged Branch Tee



SF007	dn	DN	L	H	SF007	dn	DN	L	H
B-SF007-60400A	40	40	120	130	B-SF007-63002B	60	165	290	
B-SF007-60501A	50	50	130	140	B-SF007-63004A	80	180	295	
B-SF007-60600B	60	40	155	130	B-SF007-63005A	100	205	300	
B-SF007-60602A		60	145	150	B-SF007-63007A	300	150	260	310
B-SF007-60650B	65	40	155	130	B-SF007-63009B	200	320	320	
B-SF007-60653A		65	150	150	B-SF007-63010A	250	380	330	
B-SF007-60800B	80	40	155	135	B-SF007-63500B	300	435	340	
B-SF007-60802B		60	155	155	B-SF007-63504B	60	170	320	
B-SF007-60804A	80	80	170	165	B-SF007-63504B	350	80	185	325
B-SF007-61000B		40	155	145	B-SF007-63505A		100	205	330
B-SF007-61002B	100	60	155	165	B-SF007-63507B	150	270	340	
B-SF007-61004A		80	170	175	B-SF007-63508A	200	325	350	
B-SF007-61005A	100	100	195	180	B-SF007-63509B	350	250	385	360
B-SF007-61250B		40	155	160	B-SF007-63511A	350	495	380	
B-SF007-61252B	125	60	155	180	B-SF007-64004A	80	185	355	
B-SF007-61254A		80	170	190	B-SF007-64005A	100	210	360	
B-SF007-61255A	125	100	195	195	B-SF007-64007A	150	270	370	
B-SF007-61256A		125	225	200	B-SF007-64008A	400	200	325	380
B-SF007-61500B	150	40	160	170	B-SF007-64009B	250	385	390	
B-SF007-61502B		60	160	190	B-SF007-64010A	300	440	400	
B-SF007-61504A	150	80	170	205	B-SF007-64012A	400	560	420	
B-SF007-61505A		100	195	210	B-SF007-64505B	100	215	390	
B-SF007-61506B	125	125	230	215	B-SF007-64507B	150	270	400	
B-SF007-61507A		150	255	220	B-SF007-64508B	200	330	410	
B-SF007-62000B	200	40	165	195	B-SF007-64509B	450	250	390	420
B-SF007-62002B		60	165	215	B-SF007-64510B	300	445	430	
B-SF007-62004A	200	80	175	235	B-SF007-64512B	400	560	450	
B-SF007-62005A		100	200	240	B-SF007-64513B	450	620	460	
B-SF007-62006B	125	125	235	240	B-SF007-65005B	100	215	420	
B-SF007-62007A		150	255	250	B-SF007-65008A	500	200	330	440
B-SF007-62008A	200	315	260	B-SF007-65012A	400		565	480	
B-SF007-62500B	80	60	165	260	B-SF007-65014A	500	680	500	
B-SF007-62504A		80	180	265	B-SF007-66008A	200	340	500	
B-SF007-62505A	250	100	200	270	B-SF007-66012A	600	400	570	540
B-SF007-62506J		125	260	280	B-SF007-66015A	600	800	580	
B-SF007-62507A	150	150	315	290					
B-SF007-62508A		200	375	300					

TECHNICAL DATA

All the components can be substituted with equivalent or higher-class materials.

DAVINCI VALVES LTD, is constantly looking at all ways of improving our products and services related to the water, fire and industry sector and therefore we reserve the right to change, without prior notice, any of the data contained here. Please contact our Technical Sales Department for detailed advice.

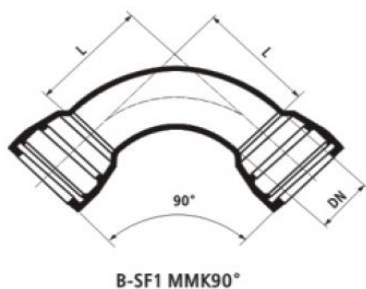
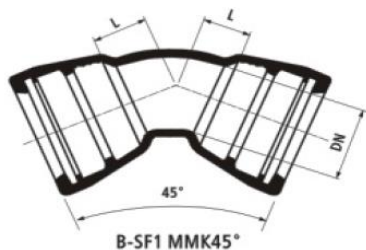
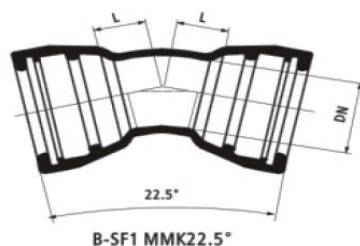
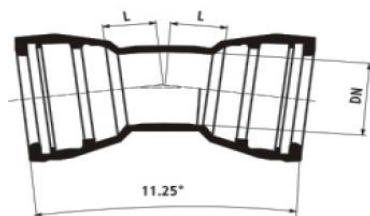
© 2018 DAVINCI VALVES LTD.

www.davincivalves.com info@davincivalves.com +34 616553797 / +86 17340168233
18 Dongyu Street, Square One 11th Floor 1101. Jinjiang District, Chengdu, Sichuan Province, China

FITTINGS 11.25/ 22.5/ 45/ 90 "T" Type Socket Bend

ref.1000A / PN 10-16

11.25°、22.5°、45°、90° "T" Type Socket Bend



B-SF1 MMK 11.25°

B-SF001	DN	L
B-SF001-11080A	80	30
B-SF001-11100A	100	30
B-SF001-11125A	125	35
B-SF001-11150A	150	35
B-SF001-11200A	200	40
B-SF001-11250A	250	50
B-SF001-11300A	300	55
B-SF001-11350A	350	65
B-SF001-11400A	400	65
B-SF001-11450A	450	70
B-SF001-11500A	500	75
B-SF001-11600A	600	85

B-SF2 MMK 22.5°

B-SF002	DN	L
B-SF002-22080A	80	40
B-SF002-22100A	100	40
B-SF002-22125A	125	50
B-SF002-22150A	150	55
B-SF002-22200A	200	65
B-SF002-22250A	250	75
B-SF002-22300A	300	85
B-SF002-22350A	350	95
B-SF002-22400A	400	110
B-SF002-22450A	450	120
B-SF002-22500A	500	130
B-SF002-22600A	600	150

B-SF3 MMK 45°

B-SF003	DN	L
B-SF003-45080A	80	55
B-SF003-45100A	100	65
B-SF003-45125A	125	75
B-SF003-45150A	150	85
B-SF003-45200A	200	110
B-SF003-45250A	250	130
B-SF003-45300A	300	150
B-SF003-45350A	350	175
B-SF003-45400A	400	195
B-SF003-45450A	450	220
B-SF003-45500A	500	240
B-SF003-45600A	600	285

B-SF4 MMK 90°

B-SF004	DN	L
B-SF004-90080A	80	100
B-SF004-90100A	100	120
B-SF004-90125A	125	145
B-SF004-90150A	150	170
B-SF004-90200A	200	220
B-SF004-90250A	250	270
B-SF004-90300A	300	320
B-SF004-90350J	350	370
B-SF004-90400J	400	420
B-SF004-90450J	450	470
B-SF004-90500J	500	520
B-SF004-90600J	600	620

All the components can be substituted with equivalent or higher-class materials.

DAVINCI VALVES LTD, is constantly looking at all ways of improving our products and services related to the water, fire and industry sector and therefore we reserve the right to change, without prior notice, any of the data contained here. Please contact our Technical Sales Department for detailed advice.

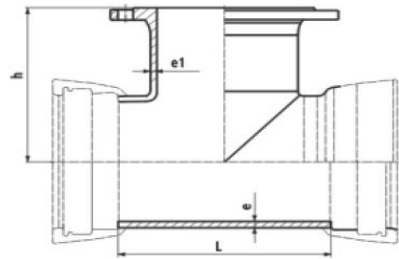
© 2018 DAVINCI VALVES LTD.

www.davincivalves.com info@davincivalves.com +34 616553797 / +86 17340168233
18 Dongyu Street, Square One 11th Floor 1101. Jinjiang District, Chengdu, Sichuan Province, China

FITTINGS Double Single Plate of Tee

ref.1000A / PN 10-16

Double single plate of tee



DN	主管		支管			整体重量 (KG)					
	e	L	dn	e1	h	PN10		PN16		PN25	
						T型	K型	T型	K型	T型	K型
80	8.1	170	80	8.1	165	13.5	17.7	13.5	17.7	13.5	17.7
		170	80	8.1	175	15.8	20.2	15.8	20.0	15.8	20.0
		190	100	0.4	180	17.2	22.0	17.2	22.0	17.2	22.0
100	8.4	170	80	8.1	190	19.4	23.0	19.4	23.0	19.4	23.0
		195	100	8.4	195	21.0	24.6	21.0	24.6	21.0	25.1
		225	125	8.7	200	23.0	26.8	23.0	26.8	24.0	27.4
125	8.7	170	80	8.1	205	23.0	28.0	23.0	28.0	23.0	28.0
		195	100	8.4	210	24.5	29.5	24.5	29.5	25.0	29.5
		230	125	8.7	215	27.1	32.1	27.1	32.1	27.1	32.1
150	9.1	255	150	9.1	220	29.5	34.5	29.5	34.5	30.5	34.5
		175	80	8.1	235	31.5	36.0	31.5	36.4	31.5	36.0
		200	100	8.4	240	33.5	38.0	33.5	38.0	34.0	38.0
200	9.8	235	125	8.7	240	36.2	39.2	36.2	39.2	36.8	39.8
		255	150	9.1	250	39.0	43.4	39.0	43.4	40.0	43.4
		315	200	9.8	260	45.5	50.0	45.6	50.0	47.5	52.0
250	10.5	100	80	8.1	265	42.2	43.6	42.2	43.6	42.2	43.6
		200	100	8.4	270	43.5	46.0	43.5	46.0	44.0	46.5
		230	125	8.7	275	47.7	49.1	47.7	49.1	48.3	49.7
300	11.2	260	150	9.1	280	51.3	52.7	51.3	52.7	52.2	53.6
		315	200	9.8	290	57.0	60.0	57.0	60.0	59.0	62.0
		375	250	10.5	300	67.4	68.8	57.1	68.8	70.7	72.1
350	11.9	180	80	8.1	295	60.8	65.4	60.8	65.4	60.8	65.4
		205	100	8.4	300	64.2	68.8	64.2	68.8	64.7	69.3
		230	125	8.7	300	67.0	71.6	67.0	71.6	67.6	72.2
400	12.6	260	150	9.1	310	81.2	75.8	71.2	75.8	72.1	76.7
		320	200	9.8	320	77.9	82.5	77.9	82.5	79.7	84.3
		380	250	10.5	330	87.8	92.4	87.8	92.4	91.1	95.7
450	13.3	435	300	11.2	340	98.7	103.3	98.4	103.3	103.6	108.2
		185	80	8.1	325	66.0	76.0	66.0	76.0	66.0	76.0
		205	100	8.4	330	68.0	78.4	68.0	78.4	68.0	78.9
500	14.0	230	125	8.7	330	70.2	82.6	70.2	82.6	70.8	83.2
		270	150	9.1	340	82.3	93.0	81.3	93.0	82.3	93.0
		325	200	9.8	350	86.0	96.0	86.0	96.0	88.0	98.0
550	14.7	385	250	10.5	360	93.2	105.3	90.2	105.3	96.5	108.9
		420	300	11.2	380	105.0	117.1	104.7	117.1	109.9	122.3
		495	350	11.9	380	117.0	131.1	120.0	131.1	129.0	139.0
600	15.4	150	80	8.1	355	80.0	90.0	80.0	90.0	80.0	90.0
		210	100	8.4	360	83.0	93.0	83.0	93.0	83.0	93.0
		230	125	8.7	360	86.2	95.3	86.2	95.3	86.7	95.9
650	16.1	270	150	9.1	370	89.3	101.9	89.2	101.9	90.3	102.9
		325	200	9.8	380	103.0	113.0	102.0	113.0	104.0	114.0
		385	250	10.5	390	111.3	123.9	111.0	123.9	111.6	127.2
700	16.8	440	300	11.2	400	123.5	135.8	123.2	135.8	128.4	141.0
		480	350	11.9	410	143.0	148.3	146.0	148.3	143.6	156.2
		560	400	12.6	420	150.0	168.2	156.0	168.2	167.0	177.4

TECHNICAL DATA

All the components can be substituted with equivalent or higher-class materials.

DAVINCI VALVES LTD, is constantly looking at all ways of improving our products and services related to the water, fire and industry sector and therefore we reserve the right to change, without prior notice, any of the data contained here. Please contact our Technical Sales Department for detailed advice.

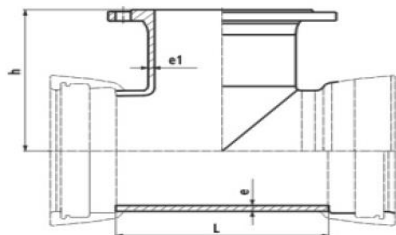
© 2018 DAVINCI VALVES LTD.

www.davincivalves.com info@davincivalves.com +34 616553797 / +86 17340168233
18 Dongyu Street, Square One 11th Floor 1101. Jinjiang District, Chengdu, Sichuan Province, China

FITTINGS Double Single Plate of Tee

ref.1000A / PN 10-16

Double single plate of tee



DN	e	L	dn	e1	h	PN10		PN16		PN25	
						T型	K型	T型	K型	T型	K型
450	13.3	190	80	8.1	370	85.5	103.8	85.5	103.8	85.8	103.8
		215	100	8.4	390	90.5	108.5	90.5	108.5	91.0	109.0
		230	125	8.7	390	93.8	111.8	93.8	111.8	94.4	112.4
		270	150	9.1	400	101.3	119.3	101.3	119.3	102.2	120.2
		330	200	9.8	410	113.2	131.2	113.2	131.2	115.0	133.0
		390	250	10.5	420	126.4	144.1	126.1	144.1	129.7	147.7
450	13.3	445	300	11.2	430	139.7	157.7	139.4	157.4	144.6	162.6
		480	350	11.9	430	148.0	166.0	150.8	168.8	158.7	176.7
		560	400	12.6	450	166.6	184.6	173.1	191.1	182.3	200.3
		620	450	13.3	460	181.5	199.5	190.8	208.8	201.2	219.2
500	14	190	80	8.1	400	103.2	118.4	102.2	118.4	103.2	118.4
		215	100	8.4	420	116.0	123.7	116.0	123.7	117.0	124.2
		240	125	8.7	420	118.8	129.0	118.8	129.0	119.4	129.6
		280	150	9.1	420	121.9	137.1	121.9	137.1	122.9	138.1
		330	200	9.8	440	142.0	149.0	141.0	149.1	143.0	150.9
		380	250	10.5	440	146.1	161.3	145.8	161.0	149.4	164.6
		440	300	11.2	440	160.5	175.7	160.2	175.4	165.4	180.6
		490	350	11.9	450	172.6	187.8	175.4	190.6	183.3	198.5
		565	400	12.6	480	199.0	208.2	205.0	214.7	216.0	223.9
		600	450	13.3	480	203.3	218.5	212.6	227.8	223.0	238.2
600	15.4	680	500	14	500	232.0	242.9	247.0	257.3	259.0	267.7
		195	80	8.1	460	168.0	164.0	168.0	164.0	169.0	170.0
		100	100	8.4	460	171.0	167.0	171.0	167.0	171.0	168.0
		240	125	8.7	465	184.0	178.0	184.0	178.0	185.0	179.0
		260	150	9.1	470	187.0	182.0	187.0	182.0	188.0	183.0
		340	200	9.8	500	189.0	185.0	189.0	185.0	191.0	188.0
		380	250	10.5	500	219.0	215.0	218.0	215.0	222.0	218.0
		430	300	11.2	500	235.0	231.0	235.0	231.0	240.0	236.0
		490	350	11.9	510	252.0	247.0	255.0	251.0	263.0	260.0
		570	400	12.6	540	258.0	254.0	263.0	259.0	271.0	270.0
		610	450	13.3	540	285.0	281.0	293.0	289.0	309.0	305.0
		670	500	14	540	304.0	301.0	309.0	305.0	331.0	327.0
800	600	15.4	580	340.0	336.0	366.0	363.0	380.0	376.0		

TECHNICAL DATA

All the components can be substituted with equivalent or higher-class materials.

DAVINCI VALVES LTD, is constantly looking at all ways of improving our products and services related to the water, fire and industry sector and therefore we reserve the right to change, without prior notice, any of the data contained here. Please contact our Technical Sales Department for detailed advice.

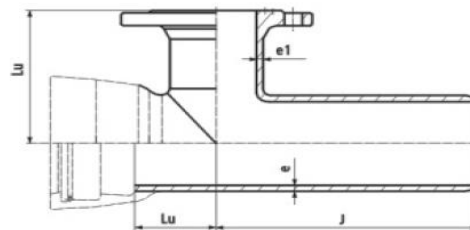
© 2018 DAVINCI VALVES LTD.

www.davincivalves.com info@davincivalves.com +34 616553797 / +86 17340168233
18 Dongyu Street, Square One 11th Floor 1101. Jinjiang District, Chengdu, Sichuan Province, China

FITTINGS Socket Single Branch Tee

ref.1000A / PN 10-16

Socket Single Branch Tee



DN	e	Lu	J	DN	e1	Lu	R (KG)					
							PN10		PN16		PN25	
							T型	K型	T型	K型	T型	K型
80	8.1	85	275	80	8.1	165	14.0	14.7	14.0	14.7	14.0	14.7
100	8.4	85	275	80	8.1	175	16.4	18.7	16.4	18.7	16.4	18.7
		95	285	100	8.4	180	17.8	20.1	17.8	20.1	17.8	20.1
125	8.7	85	275	80	8.1	190	18.7	20.6	18.7	20.6	18.7	20.6
		110	285	100	8.4	195	20.5	22.3	20.3	22.2	20.9	22.8
150	9.1	85	275	80	8.1	205	21.8	23.7	21.8	23.7	22.4	24.3
		100	285	100	8.4	210	23.7	26.1	23.7	26.1	23.7	26.1
		110	285	125	8.7	215	25.4	27.6	25.4	27.6	25.1	27.6
		130	310	150	9.1	220	27.8	30.2	27.7	30.2	27.7	30.2
200	9.8	90	275	80	8.1	235	30.2	32.7	30.2	32.7	30.2	32.7
		100	280	100	8.4	240	32.5	34.5	32.5	34.5	32.5	34.5
		110	285	125	8.7	240	34.3	36.3	34.3	36.3	34.3	36.3
		130	310	150	9.1	250	37.3	39.3	37.3	39.3	37.3	39.3
250	10.5	150	340	200	9.8	260	40.2	42.2	40.2	42.2	40.2	42.2
		90	315	80	8.1	265	46.6	48.6	47.0	49.0	48.5	50.5
		100	325	100	8.4	270	43.4	44.8	43.4	44.8	43.4	44.8
		115	325	125	8.7	255	44.9	46.4	44.9	46.4	45.0	45.8
		130	360	150	9.1	280	51.1	52.6	51.1	52.6	51.7	52.8
		150	385	200	9.8	290	57.3	58.7	57.3	58.7	58.3	59.7
300	11.2	180	415	250	10.5	300	57.9	59.1	57.9	59.1	59.7	61.1
		90	340	80	8.1	295	65.7	67.6	66.7	68.1	70.2	71.1
		105	355	100	8.4	300	58.8	61.1	58.8	61.1	58.8	61.1
		115	360	125	8.7	285	62.1	64.4	62.0	64.3	62.6	64.9
		130	390	150	9.1	310	64.1	66.4	64.1	66.4	64.7	67.0
		160	415	200	9.8	320	70.9	76.3	71.9	76.3	71.9	77.3
350	11.9	190	445	250	10.5	330	77.6	79.9	77.6	79.9	79.4	81.7
		215	475	300	11.2	340	87.3	89.6	87.0	89.3	90.6	92.9
		90	345	80	325	325	97.8	100.1	97.9	99.8	112.7	115.0
		100	355	100	330	330	68.3	73.3	68.3	73.3	68.3	73.3
		115	360	125	315	315	72.7	77.7	72.6	77.6	73.2	78.2
		135	390	150	340	340	73.4	78.4	73.4	78.4	74.0	79.0
		160	415	200	350	350	85.2	90.2	85.2	90.2	85.2	90.2
		190	445	250	350	350	88.7	93.7	88.9	93.7	90.5	95.5
210	475	300	350	350	350	106.0	110.0	116.0	120.0	127.0	131.0	
						114.0	122.0	120.2	124.0	131.0	135.0	
240	500	350	380	380	380	121.0	125.0	123.3	128.3	132.0	136.2	

TECHNICAL DATA

All the components can be substituted with equivalent or higher-class materials.

DAVINCI VALVES LTD, is constantly looking at all ways of improving our products and services related to the water, fire and industry sector and therefore we reserve the right to change, without prior notice, any of the data contained here. Please contact our Technical Sales Department for detailed advice.

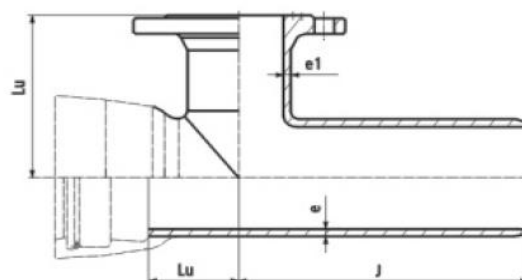
© 2018 DAVINCI VALVES LTD.

www.davincivalves.com info@davincivalves.com +34 616553797 / +86 17340168233
18 Dongyu Street, Square One 11th Floor 1101. Jinjiang District, Chengdu, Sichuan Province, China

FITTINGS Socket Single Branch Tee

ref.1000A / PN 10-16

Socket Single Branch Tee



DN	e	Lu	J	DN	e1	Lu	PN10		PN16		PN25	
							T型	K型	T型	K型	T型	K型
40	12.6	90	355	80	355	355	80.9	87.2	80.9	87.2	80.9	87.2
		105	355	100	360	360	84.2	89.3	84.2	89.2	4.2	89.8
		115	360	125	345	345	92.0	97.0	92.0	97.0	92.0	97.0
		135	390	150	370	370	99.8	104.0	99.8	104.0	99.6	104.0
		160	415	200	380	380	105.0	109.0	104.0	109.0	106.0	110.8
		190	445	250	390	390	120.0	125.0	120.0	125.0	123.0	129.0
		220	475	300	400	400	134.0	138.0	133.0	137.0	139.0	143.0
		240	500	350	400	400	144.0	148.0	146.0	151.0	155.0	160.0
		280	530	400	420	420	152.0	158.0	158.5	164.8	167.7	174.0
		450	13.3	95	355	80	370	370	97.2	106.2	97.2	106.2
110	355			100	390	390	106.0	110.0	107.0	111.0	107.0	111.0
115	360			125	405	405	113.0	117.0	113.0	117.0	115.5	117.0
135	390			150	400	400	120.0	124.0	120.0	123.0	124.0	127.0
165	415			200	410	410	130.0	134.0	130.0	134.0	132.0	136.0
195	415			250	420	420	141.0	145.0	140.0	144.0	144.0	148.0
220	475			300	430	430	156.0	158.0	155.0	158.0	161.0	164.0
240	500			350	440	440	165.0	169.0	168.0	172.0	177.0	181.0
280	530			400	450	450	180.0	184.0	185.0	189.0	196.0	200.0
310	555			450	460	460	191.0	195.0	199.0	203.0	215.0	219.0
500	14	95	355	80	400	400	113.1	117.7	113.1	117.7	113.1	117.7
		110	355	100	420	420	116.0	121.3	116.0	121.3	116.0	121.8
		120	360	125	420	420	127.0	130.7	127.0	130.7	127.0	131.4
		140	390	150	425	425	138.0	140.0	138.0	140.0	138.0	141.0
		165	415	200	440	440	142.0	146.0	141.0	146.0	143.0	147.8
		190	445	250	440	440	164.0	168.0	164.0	167.0	168.0	171.0
		220	475	300	440	440	178.0	181.0	178.0	181.0	183.0	186.0
		245	500	350	450	450	192.0	194.0	195.0	197.0	203.0	206.0
		280	530	400	480	480	19.0	203.4	204.0	209.9	215.0	219.1
		300	555	450	480	480	219.0	222.0	227.0	230.0	243.0	245.0
600	15.4	340	580	500	500	500	231.0	237.3	246.0	251.7	258.0	262.1
		100	355	80	460	460	162.7	162.0	162.7	162.0	163.0	162.0
		100	355	100	460	460	166.0	164.0	166.0	164.0	167.0	165.0
		120	360	125	465	460	174.5	172.5	174.5	172.5	175.0	173.5
		130	390	150	470	470	183.0	181.0	183.0	181.0	184.0	182.0
		170	415	200	500	500	184.0	187.8	184.0	187.8	186.0	189.6
		190	445	250	490	490	215.0	201.7	215.0	201.3	219.0	205.0
		215	475	300	500	500	231.0	228.0	230.0	228.0	235.0	233.0
		245	500	350	510	510	247.0	245.0	250.0	248.0	258.0	256.0
		285	530	400	540	540	253.0	255.9	258.0	262.4	269.0	271.6
305	555	450	530	530	279.0	277.0	288.0	286.0	303.0	301.0		
335	580	500	540	540	299.0	297.0	303.0	301.0	326.0	324.0		
400	635	600	580	580	333.5	339.8	359.0	364.8	373.0	377.2		

TECHNICAL DATA

All the components can be substituted with equivalent or higher-class materials.

DAVINCI VALVES LTD, is constantly looking at all ways of improving our products and services related to the water, fire and industry sector and therefore we reserve the right to change, without prior notice, any of the data contained here. Please contact our Technical Sales Department for detailed advice.

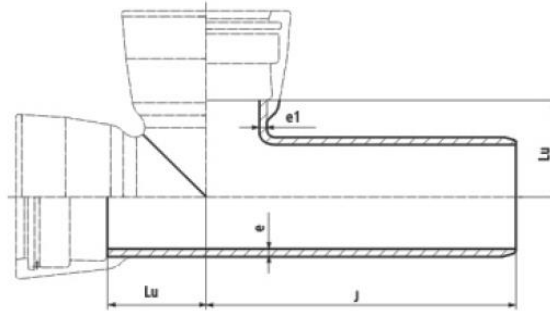
© 2018 DAVINCI VALVES LTD.

www.davincivalves.com info@davincivalves.com +34 616553797 / +86 17340168233
18 Dongyu Street, Square One 11th Floor 1101. Jinjiang District, Chengdu, Sichuan Province, China

FITTINGS Socket Single Branch Tee

ref.1000A / PN 10-16

Socket Single Branch Tee



							(KG)	
DN	e	Lu	J	DN	e1	Lu	T型	K型
80	8.1	85	275	80	8.1	85	13.1	15.9
100	8.4	85	275	80	8.1	95	15.6	19
		95	275	100	8.4	95	16.9	21.7
125	8.7	85	280	80	8.1	105	17.7	21.0
		95	290	100	8.4	110	19.8	23.0
		110	295	125	8.7	110	22.0	24.8
150	9.1	85	275	80	8.1	120	22.6	26.5
		100	280	100	8.4	120	24.6	29.5
		115	305	125	8.7	125	26.8	31.8
		130	310	150	9.1	125	28.9	34.0
200	9.8	90	375	80	8.1	145	31.4	34.3
		100	280	100	8.4	145	33.2	37.8
		115	305	125	8.7	145	35.7	40.4
		130	310	150	9.1	150	38.2	42.9
		160	340	200	9.8	155	44.0	48.4
250	10.5	90	300	80	8.1	170	41.3	43.2
		100	300	100	8.4	170	43.8	47.6
		115	315	125	8.7	175	48.0	51.7
		130	310	150	9.1	175	51.9	55.8
		160	340	200	9.8	180	56.7	60.3
		190	370	250	10.5	190	64.0	66.8
300	11.2	95	300	80	8.1	195	54.7	58.4
		105	285	100	8.4	195	57.5	65.3
		120	320	125	8.7	200	60.1	64.3
		130	310	150	9.1	200	67.1	75.1
		160	340	200	9.8	205	73.2	79.9
		190	370	250	10.5	210	82.7	89.5
		220	400	300	11.2	220	91.3	100.0
350	11.9	90	300	80	8.1	220	66.8	73.2
		100	310	100	8.4	220	69.9	77.5
		120	315	125	8.7	225	75.9	83.5
		125	340	150	9.1	225	81.8	89.5
		160	340	200	9.8	230	97.1	94.5
		190	370	250	10.5	235	99.1	106.0
		220	400	300	11.2	240	109.0	120.0
		250	430	350	11.9	250	118.0	129.0

TECHNICAL DATA

All the components can be substituted with equivalent or higher-class materials.

DAVINCI VALVES LTD, is constantly looking at all ways of improving our products and services related to the water, fire and industry sector and therefore we reserve the right to change, without prior notice, any of the data contained here. Please contact our Technical Sales Department for detailed advice.

© 2018 DAVINCI VALVES LTD.

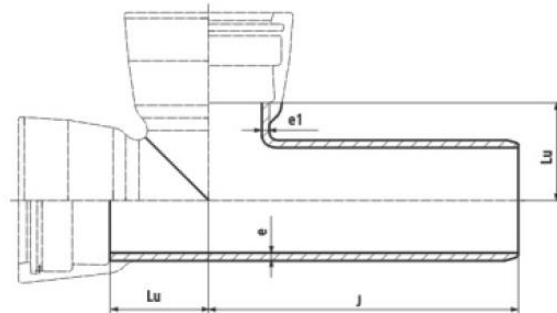
www.davincivalves.com info@davincivalves.com +34 616553797 / +86 17340168233

18 Dongyu Street, Square One 11th Floor 1101. Jinjiang District, Chengdu, Sichuan Province, China

FITTINGS Socket Single Branch Tee

ref.1000A / PN 10-16

Socket Single Branch Tee



DN	e	Lu	J	DN	e1	Lu	T型	K型
400	12.6	95	300	80	8.1	240	78.7	80.6
		105	310	100	8.4	245	84.2	91.8
		120	330	125	8.7	250	91.5	98.9
		135	340	150	9.1	250	97.1	106.0
		165	345	200	9.8	255	103.0	110.0
		190	375	25	10.5	260	118.0	125.0
		220	400	300	11.2	270	128.0	138.0
		250	430	350	11.9	270	139.0	149.0
450	13.3	280	460	400	12.6	280	152.0	163.0
		95	320	80	8.1	270	103.0	108.0
		105	330	100	8.4	270	107.0	114.0
		120	345	125	8.7	270	111.5	118.5
		135	360	150	9.1	280	116.0	123.0
		160	390	200	9.8	280	127.0	133.0
		195	415	250	10.5	290	138.0	144.0
		220	445	300	11.2	290	159.0	159.0
450	13.3	250	460	350	11.9	300	162.0	171.0
		280	500	400	12.6	300	172.0	181.0
		310	525	450	13.3	310	185.0	193.0
		95	320	80	8.1	290	111.0	161.0
500	14	110	330	100	8.4	295	115.0	120.0
		120	345	125	8.7	300	125.5	131.0
		135	360	150	9.1	300	136.0	141.0
		165	390	200	9.8	310	140.0	145.0
		195	395	250	10.5	310	161.0	165.0
		225	425	300	11.2	320	174.0	182.0
		255	455	350	11.9	320	186.0	194.0
		280	485	400	12.6	330	199.0	207.0
		310	525	450	13.3	335	212.0	238.0
		340	640	500	14	340	231.0	237.0
600	15.4	100	325	80	8.1	340	161.0	162.0
		110	330	100	8.4	345	165.0	166.0
		125	345	125	8.7	350	172.5	173.0
		140	360	150	9.1	350	180.0	180.0
		170	390	200	9.8	360	183.0	183.0
		200	415	250	10.5	360	210.0	210.0
		225	430	300	11.2	370	227.0	234.0
		255	455	350	11.9	370	241.0	245.0
		285	485	400	12.6	30	252.0	256.0
		315	525	450	13.3	385	274.0	277.0
		345	545	500	14	390	287.0	289.0
		400	600	600	15.4	400	334.0	332.0

TECHNICAL DATA

All the components can be substituted with equivalent or higher-class materials.

DAVINCI VALVES LTD, is constantly looking at all ways of improving our products and services related to the water, fire and industry sector and therefore we reserve the right to change, without prior notice, any of the data contained here. Please contact our Technical Sales Department for detailed advice.

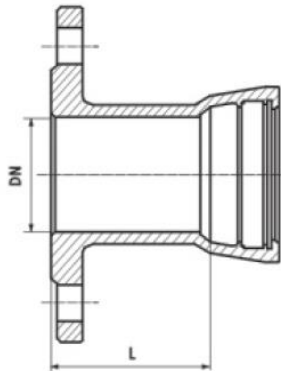
© 2018 DAVINCI VALVES LTD.

www.davincivalves.com info@davincivalves.com +34 616553797 / +86 17340168233
18 Dongyu Street, Square One 11th Floor 1101. Jinjiang District, Chengdu, Sichuan Province, China

FITTINGS “T” Type Flanged Socket Spigot Pipe/ Flanged Radius Tee

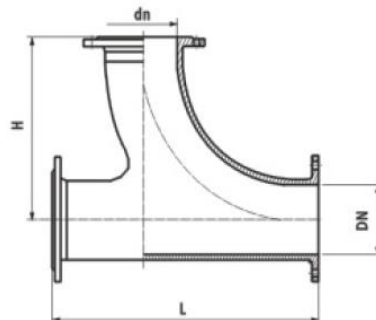
ref.1000A / PN 10-16

“T” Type Flanged Socket Spigot Pipe



SF012	DN	L
B-SF012-6080A	80	130
B-SF012-6100A	100	130
B-SF012-6125A	125	135
B-SF012-6150A	150	135
B-SF012-6200A	200	140
B-SF012-6250A	250	145
B-SF012-6300A	300	150
B-SF012-6350A	350	155
B-SF012-6400A	400	160
B-SF012-6450A	450	165
B-SF012-6500A	500	170
B-SF012-6600A	600	180

Flanged Radius Tee



FF014	DN	dn	L	H
A-FF014-6080J	80	80	545	380
A-FF014-6100J	100	100	580	400
A-FF014-6150J	150	150	670	450
A-FF014-6200J	200	200	760	500
A-FF014-6250J	250	250	900	550
A-FF014-6300J	300	300	1000	600
A-FF014-6350J	350	350	1100	650
A-FF014-6400J	400	400	1200	700
A-FF014-6450J	450	450	1300	750
A-FF014-6500J	500	500	1400	800
A-FF014-6600J	600	600	1600	900

TECHNICAL DATA

All the components can be substituted with equivalent or higher-class materials.

DAVINCI VALVES LTD, is constantly looking at all ways of improving our products and services related to the water, fire and industry sector and therefore we reserve the right to change, without prior notice, any of the data contained here. Please contact our Technical Sales Department for detailed advice.

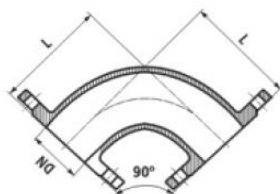
© 2018 DAVINCI VALVES LTD.

www.davincivalves.com info@davincivalves.com +34 616553797 / +86 17340168233
18 Dongyu Street, Square One 11th Floor 1101. Jinjiang District, Chengdu, Sichuan Province, China

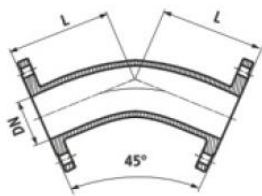
FITTINGS 11.25/ 22.5/ 45/ 90 Flanged Bend

ref.1000A / PN 10-16

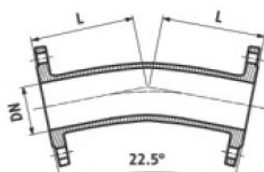
11.25°、22.5°、45°、90° Flanged Bend



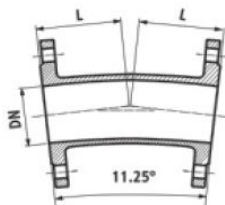
FF004 Q 90°



FF003 FFK 45°



FF002 FFK 22.5°



FF001 FFK 11.25°

FF004 Q 90°

A-FF004	DN	L
A-FF004-90040A	40	140
A-FF004-90050A	50	150
A-FF004-90060A	60	160
A-FF004-90065A	65	165
A-FF004-90080A	80	165
A-FF004-90100A	100	180
A-FF004-90125J	125	165
A-FF004-90150A	150	220
A-FF004-90200A	200	260
A-FF004-90250A	250	350
A-FF004-90300A	300	400
A-FF004-90350A	350	450
A-FF004-90400A	400	500
A-FF004-90450A	450	550
A-FF004-90500A	500	600
A-FF004-90600A	600	700

FF003 FFK 45°

FF016	DN	L
A-FF016-30080J	80	105
A-FF016-30100J	100	140
A-FF016-30125J	125	105
A-FF016-30150J	150	170
A-FF016-30200J	200	131
A-FF016-30250J	250	190
A-FF016-30300J	300	210
A-FF016-30350J	350	210
A-FF016-30400J	400	239
A-FF016-30450J	450	349
A-FF016-30500J	500	375
A-FF016-30600J	600	426

FF002 FFK 22.5°

A-FF002	DN	L
A-FF002-22040A	40	94
A-FF002-22050A	50	104
A-FF002-22060A	60	114
A-FF002-22065A	65	119
A-FF002-22080A	80	105
A-FF002-22100A	100	110
A-FF002-22125A	125	105
A-FF002-22150A	150	109
A-FF002-22200A	200	131
A-FF002-22250A	250	190
A-FF002-22250J	250	210
A-FF002-22300A	300	210
A-FF002-22300T	300	400
A-FF002-22350A	350	210
A-FF002-22400A	400	239
A-FF002-22450J	450	349
A-FF002-22500J	500	375
A-FF002-22600J	600	426

FF001 FFK 11.25°

A-FF001	DN	L
A-FF001-11040A	40	99
A-FF001-11050A	50	109
A-FF001-11060A	60	119
A-FF001-11065A	65	124
A-FF001-11080J	80	130
A-FF001-11100A	100	115
A-FF001-11125A	125	111
A-FF001-11150A	150	130
A-FF001-11200A	200	132
A-FF001-11250A	250	165
A-FF001-11250J	250	210
A-FF001-11300A	300	175
A-FF001-11300J	300	255
A-FF001-11350A	350	191
A-FF001-11400A	400	205
A-FF001-11450J	450	349
A-FF001-11500J	500	375
A-FF001-11600J	600	426

TECHNICAL DATA

All the components can be substituted with equivalent or higher-class materials.

DAVINCI VALVES LTD, is constantly looking at all ways of improving our products and services related to the water, fire and industry sector and therefore we reserve the right to change, without prior notice, any of the data contained here. Please contact our Technical Sales Department for detailed advice.

© 2018 DAVINCI VALVES LTD.

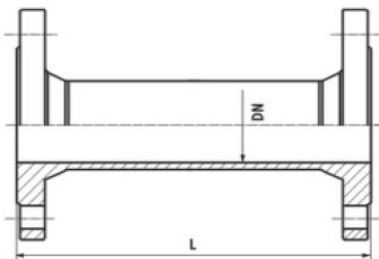
www.davincivalves.com info@davincivalves.com +34 616553797 / +86 17340168233

18 Dongyu Street, Square One 11th Floor 1101, Jinjiang District, Chengdu, Sichuan Province, China

FITTINGS Flanged Pipe

ref.1000A / PN 10-16

Flanged Pipe



A-FF007	DN	L(mm)	A-FF007	DN	L(mm)
A-FF007-6050200J		200	A-FF007-6150500J		500
A-FF007-6050300J		300	A-FF007-6150600J		600
A-FF007-6050400J		400	A-FF007-6150700J		700
A-FF007-6050500J	50	500	A-FF007-6150800J		800
A-FF007-6050600J		600	A-FF007-6150900J		900
A-FF007-6050700J		700	A-FF007-61501000J	150	1000
A-FF007-6050800J		800	A-FF007-61501200J		1200
A-FF007-60501000J		1000	A-FF007-61501500J		1500
A-FF007-6060150J	60	150	A-FF007-61502000J		2000
A-FF007-6065150J		150	A-FF007-0200100J		100
A-FF007-6065300J		300	A-FF007-0200150J		150
A-FF007-6065500J	65	500	A-FF007-0200200J		200
A-FF007-6065700J		700	A-FF007-0200250J		250
A-FF007-60651000J		1000	A-FF007-0200300J		300
A-FF007-6080100J		100	A-FF007-0200350J		350
A-FF007-6080150J		150	A-FF007-0200400J		400
A-FF007-6080200J		200	A-FF007-0200500J		450
A-FF007-6080250J		250	A-FF007-0200600J		600
A-FF007-6080300J		300	A-FF007-0200700J		700
A-FF007-6070400J		400	A-FF007-0200750J	200	750
A-FF007-6080450J		450	A-FF007-0200800J		800
A-FF007-6080500J	80	500	A-FF007-0200900J		900
A-FF007-6080600J		600	A-FF007-02001000J		1000
A-FF007-6080700J		700	A-FF007-02001500J		1500
A-FF007-6080750J		750	A-FF007-02002000J		2000
A-FF007-6080800J		800	A-FF007-0250100J		100
A-FF007-6080900J		900	A-FF007-0250150J		150
A-FF007-60801000J		1000	A-FF007-0250200J		200
A-FF007-60801500J		1500	A-FF007-0250250J		250
A-FF007-60802000J		2000	A-FF007-0250300J		300
A-FF007-6100100J		100	A-FF007-0250350J		350
A-FF007-6100150J		150	A-FF007-0250400J	250	400
A-FF007-6100200J		200	A-FF007-0250500J		500
A-FF007-6100250J		250	A-FF007-0250600J		600
A-FF007-6100300J		300	A-FF007-0250800J		800
A-FF007-6100350J		350	A-FF007-02501000J		1000
A-FF007-6100400J		400	A-FF007-02501500J		1500
A-FF007-6100500J		500	A-FF007-02502000J		2000
A-FF007-6100600J		600	A-FF007-0300100J		100
A-FF007-6100700J		700	A-FF007-0300150J		150
A-FF007-6011800J	100	800	A-FF007-0300200J		200
A-FF007-6100900J		900	A-FF007-0300250J		250
A-FF007-61001000J		1000	A-FF007-0300300J		300
A-FF007-61001500J		1500	A-FF007-0300350J		350
A-FF007-61002000J		2000	A-FF007-0300400J	300	400
A-FF007-61252000J		200	A-FF007-0300500J		500
A-FF007-6125300J		300	A-FF007-0300600J		600
A-FF007-6125400J		400	A-FF007-0300700J		700
A-FF007-6125500J		500	A-FF007-0300800J		800
A-FF007-6125600J	125	600	A-FF007-03001000J		1000
A-FF007-6125700J		700	A-FF007-03001500J		1500
A-FF007-6125800J		800	A-FF007-03501000J	350	1000
A-FF007-61251000J		1000	A-FF007-04001000J	400	1000
A-FF007-6150100J		100	A-FF007-0500400J	500	400
A-FF007-6150150J		150	A-FF007-05001000J	500	1000
A-FF007-6150200J		200			
A-FF007-6150250J	150	250			
A-FF007-6150300J		300			
A-FF007-6150350J		350			
A-FF007-6150400J		400			

TECHNICAL DATA

All the components can be substituted with equivalent or higher-class materials.

DAVINCI VALVES LTD, is constantly looking at all ways of improving our products and services related to the water, fire and industry sector and therefore we reserve the right to change, without prior notice, any of the data contained here. Please contact our Technical Sales Department for detailed advice.

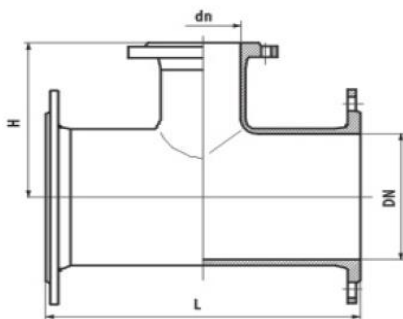
© 2018 DAVINCI VALVES LTD.

www.davincivalves.com info@davincivalves.com +34 616553797 / +86 17340168233
18 Dongyu Street, Square One 11th Floor 1101. Jinjiang District, Chengdu, Sichuan Province, China

FITTINGS All Flanged Tee

ref.1000A / PN 10-16

All Flange Tee



A-FF006	DN	dn	L	H	A-FF006	DN	dn	L	H
A-FF006-4040A	40	40	280	140	A-FF006-0250B	60	385	260	
A-FF006-60501A	50	50	300	150	A-FF006-02504B	80	405	265	
A-FF006-60602A	60	60	320	160	A-FF006-02505A	100	700	275	
A-FF006-60651J	65	50	330	160	A-FF006-02505B	250	100	425	270
A-FF006-60653J	65	65	330	165	A-FF006-02507J	150	477	280	
A-FF006-60800B	40	310	135		A-FF006-02508A	200	700	325	
A-FF006-6080J	50	310	145		A-FF006-02509A	250	700	350	
A-FF006-60802B	80	60	310	155	A-FF006-03002B	60	405	290	
A-FF006-60803J	65	330	165		A-FF006-03004J	80	800	295	
A-FF006-60804A	80	330	165		A-FF006-03004J	100	800	300	
A-FF006-61000B	40	320	145		A-FF006-03005B	100	450	300	300
A-FF006-61001J	50	360	170		A-FF006-03007B	150	505	310	
A-FF006-61002B	60	320	165		A-FF006-03008A	200	800	350	
A-FF006-61003J	100	65	320	175	A-FF006-03009B	250	620	330	
A-FF006-61004A	80	360	175		A-FF006-03010A	300	800	400	
A-FF006-61005A	100	360	180		A-FF006-03502B	60	430	320	
A-FF006-61250B	40	330	160		A-FF006-03504B	80	445	325	
A-FF006-61252B	60	330	180		A-FF006-03505A	100	850	325	
A-FF006-61254B	125	80	400	190	A-FF006-03507B	150	530	340	350
A-FF006-61255A	100	400	195		A-FF006-03508A	200	850	325	
A-FF006-61256A	125	400	220		A-FF006-03509B	250	645	360	
A-FF006-21500B	40	340	170		A-FF006-03510J	300	850	325	
A-FF006-61501J	50	340	180		A-FF006-03511A	350	850	425	
A-FF006-61502B	60	340	190		A-FF006-04004B	80	470	355	
A-FF006-61504A	150	80	440	205	A-FF006-04005A	100	900	350	
A-FF006-61505A	100	440	210		A-FF006-04005J	100	470	355	
A-FF006-61506A	125	440	215		A-FF006-04007B	150	550	370	
A-FF006-61507A	150	440	220		A-FF006-04008A	400	200	900	350
A-FF006-62000B	40	365	195		A-FF006-04009B	250	665	390	
A-FF006-62001J	50	365	205		A-FF006-04010B	300	725	400	
A-FF006-62002B	60	365	215		A-FF006-04011J	350	900	450	
A-FF006-62004A	80	520	235		A-FF006-04012A	400	900	450	
A-FF006-62005A	600	100	520	240	A-FF006-04505A	100	950	375	
A-FF006-62005J	100	380	225		A-FF006-04507B	150	570	400	
A-FF006-62006B	125	435	240		A-FF006-04508A	200	950	375	
A-FF006-62007A	150	520	250		A-FF006-04509B	450	250	690	420
A-FF006-62008A	200	520	260		A-FF006-04510B	300	745	430	
A-FF006-06005J	100	580	480		A-FF006-04512B	400	860	450	
A-FF006-06008A	200	1100	450		A-FF006-04513A	450	950	475	
A-FF006-06012A	200	400	1100	550	A-FF006-05005A	100	1000	400	
A-FF006-06015A	600	600	1100	550	A-FF006-05008A	200	1000	400	500
					A-FF006-05012A	400	1000	500	
					A-FF006-05014A	500	1000	500	

TECHNICAL DATA

All the components can be substituted with equivalent or higher-class materials.

DAVINCI VALVES LTD, is constantly looking at all ways of improving our products and services related to the water, fire and industry sector and therefore we reserve the right to change, without prior notice, any of the data contained here. Please contact our Technical Sales Department for detailed advice.

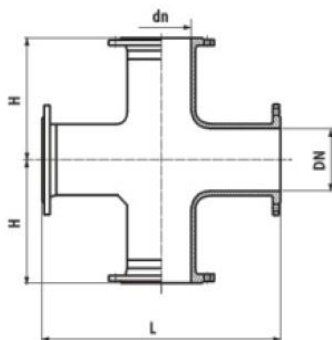
© 2018 DAVINCI VALVES LTD.

www.davincivalves.com info@davincivalves.com +34 616553797 / +86 17340168233
18 Dongyu Street, Square One 11th Floor 1101, Jinjiang District, Chengdu, Sichuan Province, China

FITTINGS All Flanged Cross/ Flanged Bell Mouth

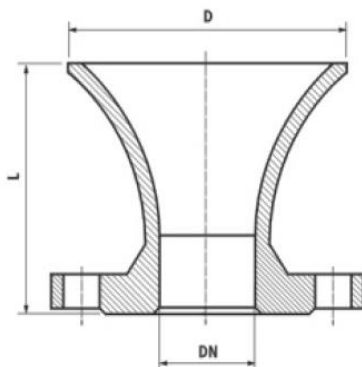
ref.1000A / PN 10-16

All Flanged Cross



A-FF005	DN	dn	L	H
A-FF005-6080A	80	80	330	165
A-FF005-6100A	100	100	360	180
A-FF005-6125A	125	125	400	200
A-FF005-6150A	150	150	440	220
A-FF005-6200A	200	200	520	260
A-FF005-6250A	250	250	700	350
A-FF005-6300A	300	300	800	400
A-FF005-6350A	350	350	850	425
A-FF005-6400A	400	400	900	450
A-FF005-6450A	450	450	950	475
A-FF005-6500A	500	500	1000	500
A-FF005-6600A	600	600	1100	550

Flanged Bell Mouth



FF013	DN	L	D
A-FF013-6080J	80	135	160
A-FF013-6100J	100	140	185
A-FF013-6150J	150	155	245
A-FF013-6200J	200	170	310
A-FF013-6250J	250	190	370
A-FF013-6300J	300	210	435
A-FF013-6350J	350	225	495
A-FF013-6400J	400	245	560
A-FF013-6450J	450	260	620
A-FF013-6500J	500	280	685
A-FF013-6600J	600	300	810

TECHNICAL DATA

All the components can be substituted with equivalent or higher-class materials.

DAVINCI VALVES LTD, is constantly looking at all ways of improving our products and services related to the water, fire and industry sector and therefore we reserve the right to change, without prior notice, any of the data contained here. Please contact our Technical Sales Department for detailed advice.

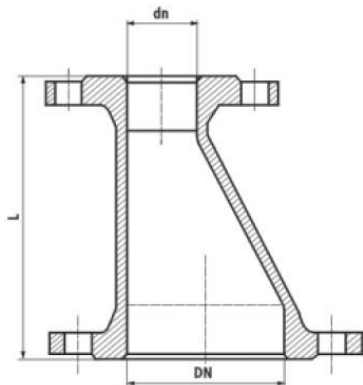
© 2018 DAVINCI VALVES LTD.

www.davincivalves.com info@davincivalves.com +34 616553797 / +86 17340168233
18 Dongyu Street, Square One 11th Floor 1101, Jinjiang District, Chengdu, Sichuan Province, China

FITTINGS Flanged Eccentric Taper

ref.1000A / PN 10-16

Flanged Eccentric Taper



A-FF009	DN	dn	L	A-FF009	DN	dn	L
A-FF009-60500150J	50	40	150	A-FF009-03508300J		200	300
A-FF009-60601160J	60	50	160	A-FF009-03508600J		200	600
A-FF009-60651200J	65	50	200	A-FF009-03509300J		250	300
A-FF009-60800200J		40	200	A-FF009-03509600J	350	250	600
A-FF009-60801200J		50	200	A-FF009-03509300J		300	300
A-FF009-60802200J	80	60	200	A-FF009-03509300J		300	300
A-FF009-60803200J		65	200	A-FF009-04008300J		200	300
A-FF009-61001200J		50	200	A-FF009-04008600J		200	600
A-FF009-61002200J	100	65	200	A-FF009-04009300J		250	300
A-FF009-61004200J		80	200	A-FF009-04009600J	400	250	600
A-FF009-61253200J		65	200	A-FF009-04010300J		300	300
A-FF009-61254200J	125	80	200	A-FF009-04010600J		300	600
A-FF009-61255200J		100	200	A-FF009-04011300J		350	300
A-FF009-61501200J		50	200	A-FF009-04509300J		250	300
A-FF009-61501300J		50	300	A-FF009-04509600J		250	600
A-FF009-61502200J		60	200	A-FF009-04510300J		300	300
A-FF009-61504200J		80	200	A-FF009-04510600J	450	300	600
A-FF009-61504400J	150	80	400	A-FF009-04511300J		350	300
A-FF009-61505200J		100	200	A-FF009-04511600J		350	600
A-FF009-61505300J		100	300	A-FF009-04512300J		400	300
A-FF009-61506300J		125	200	A-FF009-05009300J		250	300
A-FF009-02004300J		80	300	A-FF009-05009700J		250	700
A-FF009-02005300J		100	300	A-FF009-05010300J		300	300
A-FF009-02005600J	200	100	600	A-FF009-05010600J		300	600
A-FF009-02006300J		125	300	A-FF009-05011300J	500	350	300
A-FF009-02007300J		150	300	A-FF009-05011600J		350	600
A-FF009-02504300J		80	300	A-FF009-05012300J		400	300
A-FF009-02504600J		80	600	A-FF009-05012600J		400	600
A-FF009-02505300J		100	300	A-FF009-05013300J		450	300
A-FF009-02505600J	300	100	600	A-FF009-06010300J		300	300
A-FF009-02507300J		150	300	A-FF009-06010800J		300	800
A-FF009-02507600J		150	600	A-FF009-06011300J		350	300
A-FF009-02508300J		200	300	A-FF009-06011700J		350	700
A-FF009-03004300J		100	300	A-FF009-06012300J		400	300
A-FF009-03007300J		150	300	A-FF009-06012600J	600	400	600
A-FF009-03007600J		150	600	A-FF009-06013300J		450	300
A-FF009-03008300J	250	200	300	A-FF009-06013600J		450	600
A-FF009-03008600J		200		A-FF009-06014300J		500	300
A-FF009-03009300J		250	300	A-FF009-06014600J		500	600

TECHNICAL DATA

All the components can be substituted with equivalent or higher-class materials.

DAVINCI VALVES LTD, is constantly looking at all ways of improving our products and services related to the water, fire and industry sector and therefore we reserve the right to change, without prior notice, any of the data contained here. Please contact our Technical Sales Department for detailed advice.

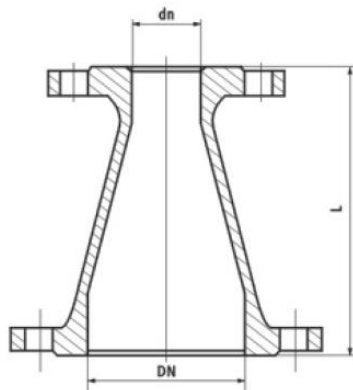
© 2018 DAVINCI VALVES LTD.

www.davincivalves.com info@davincivalves.com +34 616553797 / +86 17340168233
18 Dongyu Street, Square One 11th Floor 1101. Jinjiang District, Chengdu, Sichuan Province, China

FITTINGS Flanged Taper

ref.1000A / PN 10-16

Flanged Taper



FF010	DN*n	L
A-FF010-62007300A	200×150	300
A-FF010-62504300J	250×80	300
A-FF010-62505300J	250×100	300
A-FF010-62507300J	250×150	300
A-FF010-62508300A	250×200	300
A-FF010-63005300J	300×100	300
A-FF010-63007300J	300×150	300
A-FF010-63007600J	300×150	600
A-FF010-63008300J	300×200	300
A-FF010-63009300A	300×250	300
A-FF010-63509600J	300×250	600
A-FF010-63510300A	350×300	300
A-FF010-64010300A	400×300	300
A-FF010-64011300A	400×350	300
A-FF010-64508600J	450×200	600
A-FF010-64509600J	450×250	600
A-FF010-64510600J	450×300	600
A-FF010-64512300A	450×400	300
A-FF010-65012600A	500×400	600
A-FF010-65014600A	600×500	600

FF010	DN*n	L
A-FF010-60500150A	50×40	150
A-FF010-60601150J	60×50	150
A-FF010-60651200A	65×50	200
A-FF010-60800200J	80×40	200
A-FF010-60805200J	80×50	200
A-FF010-60802200A	80×60	200
A-FF010-60803200A	80×65	200
A-FF010-61001200J	100×50	200
A-FF010-61004200A	100×80	200
A-FF010-61251200J	125×50	200
A-FF010-61255200A	125×100	200
A-FF010-61501200J	150×50	200
A-FF010-61501300J	150×50	300
A-FF010-61504200J	150×80	200
A-FF010-61504300J	150×80	300
A-FF010-61506200A	150×125	200
A-FF010-62001300J	200×50	300
A-FF010-62004300J	200×80	300
A-FF010-62005300J	200×100	300
A-FF010-62005600A	200×100	600
A-FF010-62006300J	200×125	300

TECHNICAL DATA

All the components can be substituted with equivalent or higher-class materials.

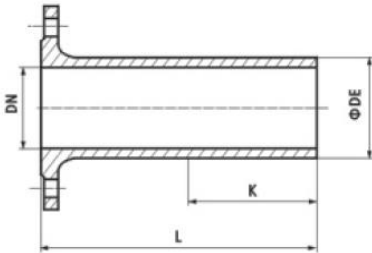
DAVINCI VALVES LTD, is constantly looking at all ways of improving our products and services related to the water, fire and industry sector and therefore we reserve the right to change, without prior notice, any of the data contained here. Please contact our Technical Sales Department for detailed advice.

© 2018 DAVINCI VALVES LTD.
www.davincivalves.com info@davincivalves.com +34 616553797 / +86 17340168233
18 Dongyu Street, Square One 11th Floor 1101. Jinjiang District, Chengdu, Sichuan Province, China

FITTINGS Flanged Spigot / Long Radius Bend

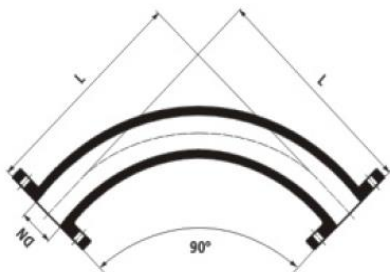
ref.1000A / PN 10-16

Flanged Spigot



A-FF012	DN	ØDE	L	K	A-FF012	DN	ØDE	L	K
A-FF012-6040A	40	55	335	200	A-FF012-6040J	40	55	1000	200
A-FF012-6050A	50	65	340	200	A-FF012-6050J	50	65	1000	200
A-FF012-6060A	60	76	345	200	A-FF012-6060J	60	76	1000	200
A-FF012-6065A	65	80	345	200	A-FF012-6065J	65	80	1000	200
A-FF012-6080A	80	96	350	215	A-FF012-6080J	80	96	1000	215
A-FF012-6100A	100	116	360	215	A-FF012-6100J	100	116	1000	215
A-FF012-6125A	125	142	370	220	A-FF012-6125J	125	142	1000	220
A-FF012-6150A	150	168	380	225	A-FF012-6150J	150	168	1000	225
A-FF012-6200A	200	220	400	230	A-FF012-6200J	200	220	1000	230
A-FF012-6250A	250	272	420	240	A-FF012-6250J	250	272	1000	240
A-FF012-6300A	300	324	440	250	A-FF012-6300J	300	324	1000	250
A-FF012-6350A	350	376	460	260	A-FF012-6350J	350	376	1000	260
A-FF012-6400A	400	427	480	270	A-FF012-6400J	400	427	1000	270
A-FF012-6450A	450	477	550	280	A-FF012-6450J	450	477	1000	280
A-FF012-6500A	500	529	520	290	A-FF012-6500J	500	529	1000	290
A-FF012-6600A	600	632	560	310	A-FF012-6600J	600	632	1000	310

Long Radius Bend



A-FF011	DN	L
A-FF011-6080J	80	380
A-FF011-6080J	100	400
A-FF011-6080J	150	450
A-FF011-6080J	200	500
A-FF011-6080J	250	550
A-FF011-6080J	300	600
A-FF011-6080J	350	650
A-FF011-6080J	400	700
A-FF011-6080J	450	750
A-FF011-6080J	500	800
A-FF011-6080J	600	900

TECHNICAL DATA

All the components can be substituted with equivalent or higher-class materials.

DAVINCI VALVES LTD, is constantly looking at all ways of improving our products and services related to the water, fire and industry sector and therefore we reserve the right to change, without prior notice, any of the data contained here. Please contact our Technical Sales Department for detailed advice.

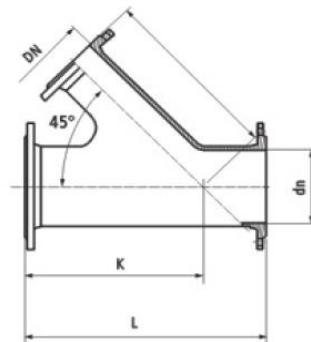
© 2018 DAVINCI VALVES LTD.

www.davincivalves.com info@davincivalves.com +34 616553797 / +86 17340168233
18 Dongyu Street, Square One 11th Floor 1101. Jinjiang District, Chengdu, Sichuan Province, China

FITTINGS Flanged 45 Branch Tee/ Flanged Duck Foot Bend

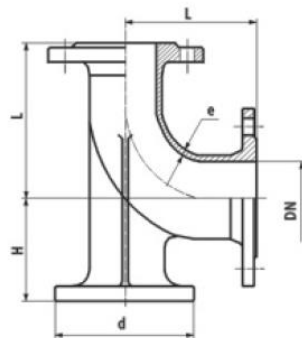
ref.1000A / PN 10-16

Flanged 45° branch Tee



A-FF015	DN/dn	L	K
A-FF015-6080J	80	500	375
A-FF015-6100J	100	540	405
A-FF015-6150J	150	640	480
A-FF015-6200J	200	735	560
A-FF015-6250J	250	830	640
A-FF015-6300J	300	930	715
A-FF015-6350J	350	880	790
A-FF015-6400J	400	970	870
A-FF015-6450J	450	1060	950
A-FF015-6500J	500	1140	1025
A-FF015-6600J	600	1310	1180

Flanged Duck Foot Bend



A-FF008	DN	L	D	H
A-FF008-6040A	40	140	140	85
A-FF008-6050A	50	150	150	95
A-FF008-6060A	60	160	160	100
A-FF008-6065A	65	165	165	105
A-FF008-6080A	80	165	180	110
A-FF008-6100A	100	180	200	125
A-FF008-6125A	125	200	225	140
A-FF008-6150A	150	220	250	160
A-FF008-6200A	200	260	300	190
A-FF008-6250A	250	350	350	225
A-FF008-6300A	300	400	400	255
A-FF008-6350A	350	450	450	290
A-FF008-6400A	400	500	500	320
A-FF008-6450A	450	550	550	355
A-FF008-6500A	500	600	600	385
A-FF008-6600A	600	700	700	450

TECHNICAL DATA

All the components can be substituted with equivalent or higher-class materials.

DAVINCI VALVES LTD, is constantly looking at all ways of improving our products and services related to the water, fire and industry sector and therefore we reserve the right to change, without prior notice, any of the data contained here. Please contact our Technical Sales Department for detailed advice.

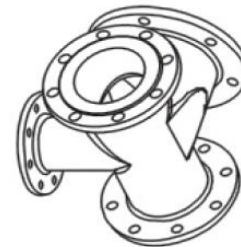
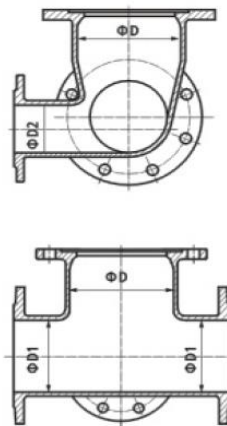
© 2018 DAVINCI VALVES LTD.

www.davincivalves.com info@davincivalves.com +34 616553797 / +86 17340168233
18 Dongyu Street, Square One 11th Floor 1101. Jinjiang District, Chengdu, Sichuan Province, China

FITTINGS special Cross/ Flanged Level Invert Tee

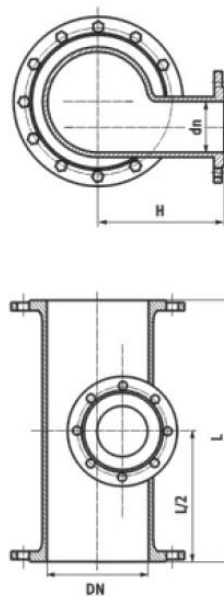
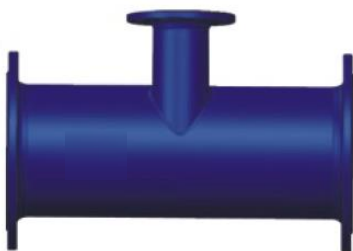
ref.1000A / PN 10-16

Special Cross



A-FF017	ØD	ØD1	ØD2
A-FF017-621506BL	200	150	100
A-FF017-621507BL	200	150	150
A-FF017-622007BL	200	200	150
A-FF017-622008BL	200	200	200

Flanged Level Invert Tee



A-FF018	DN	dn	L	H
A-FF018-61004J	100	80	360	195
A-FF018-61504J	150	80	440	220
A-FF018-62004J	200	80	520	250
A-FF018-62005J	200	100	520	250
A-FF018-62504J	250	80	700	275
A-FF018-62505J	250	100	700	275
A-FF018-63004J	300	80	800	305
A-FF018-63005J	300	100	800	305
A-FF018-63007J	300	150	800	305
A-FF018-63504J	350	80	850	340
A-FF018-63505J	350	100	850	340
A-FF018-63507J	350	150	850	340
A-FF018-64008J	400	80	900	365
A-FF018-64005J	400	100	900	365
A-FF018-64007J	400	150	900	365
A-FF018-64008J	400	200	900	365
A-FF018-64504J	450	80	950	380
A-FF018-64505J	450	100	950	380
A-FF018-64507J	450	150	950	380
A-FF018-64508J	450	200	950	380
A-FF018-65004J	500	80	1000	400
A-FF018-65005J	500	100	1000	400
A-FF018-65007J	500	150	1000	400
A-FF018-65008J	500	200	1000	400
A-FF018-66004J	600	80	1100	435
A-FF018-66005J	600	100	1100	435
A-FF018-66007J	600	150	1100	450
A-FF018-66008J	600	200	1100	450

TECHNICAL DATA

All the components can be substituted with equivalent or higher-class materials.

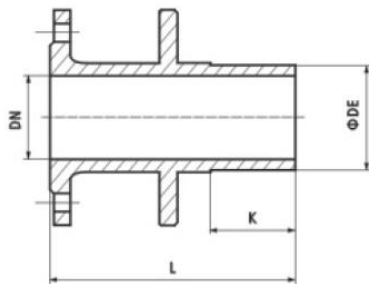
DAVINCI VALVES LTD, is constantly looking at all ways of improving our products and services related to the water, fire and industry sector and therefore we reserve the right to change, without prior notice, any of the data contained here. Please contact our Technical Sales Department for detailed advice.
© 2018 DAVINCI VALVES LTD.

www.davincivalves.com info@davincivalves.com +34 616553797 / +86 17340168233
18 Dongyu Street, Square One 11th Floor 1101. Jinjiang District, Chengdu, Sichuan Province, China

FITTINGS Two Flanged Wall Pipe/ Three Flanged Wall Pipe

ref.1000A / PN 10-16

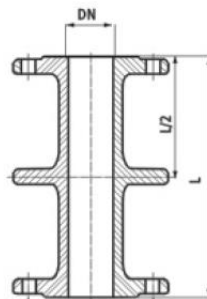
Two Flanged Wall Pipe



A-WP2 WALL PASS PIPE

A-WP002	DN	ØDE	L	K
A-WP002-6040J	40	55	1200	200
A-WP002-6050J	50	65	1200	200
A-WP002-6060J	60	76	1200	200
A-WP002-6065J	65	80	1200	200
A-WP002-6080J	80	96	1200	215
A-WP002-6100J	100	116	1200	215
A-WP002-6125J	125	142	1200	220
A-WP002-6150J	150	168	1200	225
A-WP002-6200J	200	220	1200	230
A-WP002-6250J	250	272	1200	240
A-WP002-6300J	300	324	1200	250
A-WP002-6350J	350	376	1200	260
A-WP002-6400J	400	427	1200	270
A-WP002-6450J	450	477	1200	280
A-WP002-6500J	500	529	1200	290
A-WP002-6600J	600	632	1200	310

Three Flanged Wall Pipe



A-WP2 WALL PASS PIPE

A-WP002	DN	L
A-WP002-6050JA	50	450
A-WP002-6050JC		600
A-WP002-6060JA	60	450
A-WP002-6065JA		450
A-WP002-6065JC	65	600
A-WP002-6080JB		500
A-WP002-6080JC	80	600
A-WP002-6080JG		1000
A-WP002-6080JI	1200	
A-WP002-6100JA	100	450
A-WP002-6100JB		500
A-WP002-6100JC	100	600
A-WP002-6100JG		1000
A-WP002-6125JB	125	500
A-WP002-6125JG		1000
A-WP002-6150JB	150	500
A-WP002-6150JC		600
A-WP002-6150JG	1000	

A-WP2 WALL PASS PIPE

A-WP002	DN	L
A-WP002-6200JB	200	500
A-WP002-6200JC		600
A-WP002-6200JE		800
A-WP002-6200JG	200	1000
A-WP002-6250JB		500
A-WP002-6250JC	250	600
A-WP002-6250JG		1000
A-WP002-6250JI	1200	
A-WP002-6300JB	300	500
A-WP002-5300JC		600
A-WP002-6300JG	350	1000
A-WP002-0350JB		500
A-WP002-0350JG	400	1000
A-WP002-0400JB		500
A-WP002-0400JG	450	1000
A-WP002-0450JB		500
A-WP002-0450JG	600	1000
A-WP002-0500JB		500
A-WP002-0500JG	600	1000
A-WP002-0600JB		500
A-WP002-0600JG	1000	

TECHNICAL DATA

All the components can be substituted with equivalent or higher-class materials.

DAVINCI VALVES LTD, is constantly looking at all ways of improving our products and services related to the water, fire and industry sector and therefore we reserve the right to change, without prior notice, any of the data contained here. Please contact our Technical Sales Department for detailed advice.

© 2018 DAVINCI VALVES LTD.

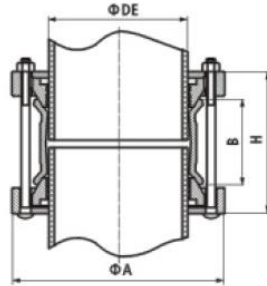
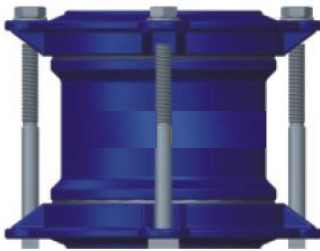
www.davincivalves.com info@davincivalves.com +34 616553797 / +86 17340168233

18 Dongyu Street, Square One 11th Floor 1101. Jinjiang District, Chengdu, Sichuan Province, China

FITTINGS Coupling For PVC/ DI Pipe /Flange Coupling for PVC/DI Pipe

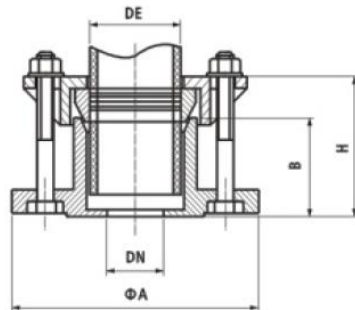
ref.1000A / PN 10-16

Coupling For PVC/DI Pipe



FA002	DN	DE	A	B	H	N
E-FA002-040	40	48-58	141	95	159	2
E-FA002-050	50	59-73	165	95	159	2
E-FA002-065	65	72-85	185	98	162	2
E-FA002-080	80	88-103	200	98	162	4
E-FA002-100	100	108-128	225	98	162	4
E-FA002-125A	125A	132-146	250	98	162	4
E-FA002-125B	125B	138-153	250	98	162	4
E-FA002-150A	150A	138-153	272	100	164	4
E-FA002-150B	150B	158-181	272	110	174	4
E-FA002-175A	175A	192-209	296	130	194	4
E-FA002-175B	175B	192-209	324	130	194	4
E-FA002-200A	200A	200-225	325	130	194	6
E-FA002-200B	200B	218-235	325	130	194	6
E-FA002-250A	250A	250-267	380	130	194	6
E-FA002-250B	250B	272-289	380	130	194	6
E-FA002-300A	300A	315-332	430	140	204	6
E-FA002-300B	300B	322-339	430	140	204	6
E-FA002-350A	350A	351-368	490	140	204	8
E-FA002-400A	400A	390-410	540	235	295	8
E-FA002-400B	400B	418-435	540	235	295	8
E-FA002-450	450	476-493	595	235	295	10
E-FA002-500	500	527-544	654	235	295	10
E-FA002-600	600	630-647	757	235	295	10

Flange Coupling for PVC/DI Pipe



FA001	DN	DE	A	B	H	N
E-FA001-050	50	59-73	165	75	108	2
E-FA001-065	65	72-85	185	75	108	2
E-FA001-080	80	88-103	200	85	118	4
E-FA001-100	100	108-128	225	85	118	4
E-FA001-125A	125A	132-146	250	85	118	4
E-FA001-125B	125B	138-153	250	85	118	4
E-FA001-150A	150A	138-153	272	95	128	4
E-FA001-150B	150B	158-181	272	95	128	4
E-FA001-175A	175A	192-209	296	85	128	4
E-FA001-175B	175B	192-209	324	85	128	4
E-FA001-200A	200A	200-225	325	95	128	6
E-FA001-200B	200B	218-235	325	95	128	6
E-FA001-250A	250A	250-267	380	95	128	6
E-FA001-250B	250B	272-289	380	95	128	6
E-FA001-300A	300A	315-332	430	95	128	6
E-FA001-300B	300B	322-339	430	95	128	6
E-FA001-350A	350A	351-368	490	95	128	8
E-FA001-400A	400A	390-410	540	110	142	8
E-FA001-400B	400B	418-435	540	110	142	8
E-FA001-450	450	476-493	595	110	142	10
E-FA001-500	500	527-544	654	115	148	10
E-FA001-600	600	560-647	757	115	148	10

TECHNICAL DATA

All the components can be substituted with equivalent or higher-class materials.

DAVINCI VALVES LTD, is constantly looking at all ways of improving our products and services related to the water, fire and industry sector and therefore we reserve the right to change, without prior notice, any of the data contained here. Please contact our Technical Sales Department for detailed advice.

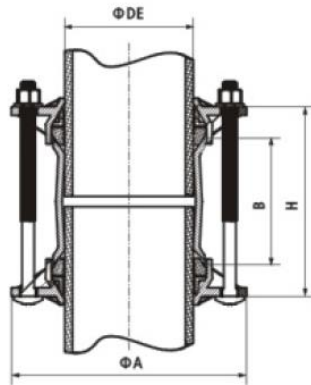
© 2018 DAVINCI VALVES LTD.

www.davincivalves.com info@davincivalves.com +34 616553797 / +86 17340168233
18 Dongyu Street, Square One 11th Floor 1101. Jinjiang District, Chengdu, Sichuan Province, China

FITTINGS PE Coupling-Pradinsa/ Flange Adaptor (AGT)-Pradinsa

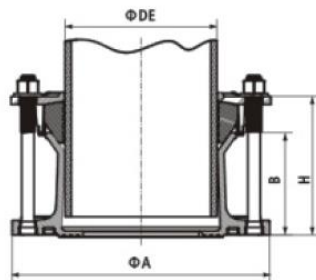
ref.1000A / PN 10-16

PE Coupling - Pradinsa



FA005	DE	ΦA	B	H
FA005-40	40	75.2	90	
FA005-50	50	85	90	
FA005-63	63	98	90	
FA005-75	75	110	90	
FA005-90	90	125	90	
FA005-110	110	145	110	
FA005-125	125	160	110	
FA005-140	140	176	110	
FA005-160	160	196	150	
FA005-180	180	215.2	150	
FA005-200	200	237.4	180	
FA005-225	225	262.4	180	
FA005-250	250	290	180	
FA005-315	315	356	180	

Flange Adaptor(AGT) - Pradinsa



FA004	DN	DE	ΦA	B	H
FA004-40	40/50	40-63	165	90	
FA004-50/60/65	50/60/65	54-77	185	90	
FA004-60/65	60/65	67-99	185	125	
FA004-80/100	80/100	82-112	220	93	
FA004-100	100	105-135	220	125	
FA004-125	125	125-155	250	100	
FA004-125/150	125/150	140-170	285	140	
FA004-150	150	159-189	285	100	
FA004-200A	200A	180-210	340	100	
FA004-200B	200B	216-256	340	150	
FA004-250A	250A	246-286	405	120	
FA004-250B	250B	270-310	405	180	
FA004-300A	300A	295-335	460	120	
FA004-300B	300B	325-365	460	180	

All the components can be substituted with equivalent or higher-class materials.

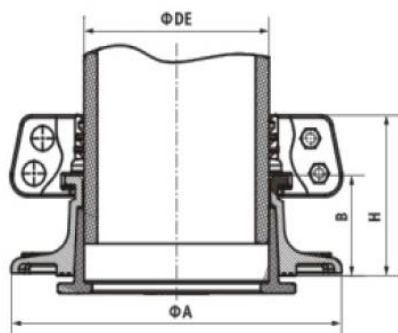
DAVINCI VALVES LTD, is constantly looking at all ways of improving our products and services related to the water, fire and industry sector and therefore we reserve the right to change, without prior notice, any of the data contained here. Please contact our Technical Sales Department for detailed advice.

© 2018 DAVINCI VALVES LTD.
 www.davincivalves.com info@davincivalves.com +34 616553797 / +86 17340168233
 18 Dongyu Street, Square One 11th Floor 1101. Jinjiang District, Chengdu, Sichuan Province, China

FITTINGS Bride Block/ Coupling

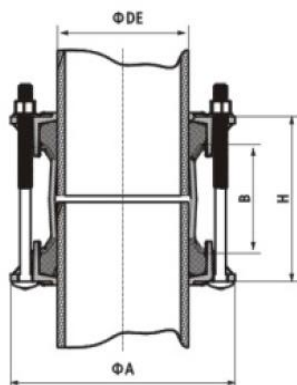
ref.1000A / PN 10-16

Bride Block



FA006	DN	DE	ΦA	B	H
FA006-50	50	63	165	64	
FA006-50/60/65	50/60/65	63	185	65	
FA006-60/65	60/65	75	185	65	
FA006-80	80	90	200	65	
FA006-100	100	110	220	73	
FA006-125A	125A	125	250	80	
FA006-125B	125B	140	250	80	
FA006-150	150	160	285	80	
FA006-200	200	200	340	88	
FA006-250	250	250	400	120	
FA006-300	300	315	460	138	

Coupling



FA003	DN	DE	ΦA	B	H
FA003-40	40	40-63	118	120	
FA003-50	50	54-77	131	120	
FA003-65	65	67-99	144	120	
FA003-80	80	82-112	172	150	
FA003-100	100	105-135	194	150	
FA003-125A	125A	125-155	215	150	
FA003-125B	125B	140-170	230	150	
FA003-150	150	159-189	249	150	
FA003-175	175	180-210	270	150	
FA003-200	200	210-250	324	180	
FA003-250A	250A	246-286	360	180	
FA003-250B	250B	270-310	384	180	
FA003-300A	300A	295-335	409	180	
FA003-300B	300B	325-365	439	180	

All the components can be substituted with equivalent or higher-class materials.

DAVINCI VALVES LTD, is constantly looking at all ways of improving our products and services related to the water, fire and industry sector and therefore we reserve the right to change, without prior notice, any of the data contained here. Please contact our Technical Sales Department for detailed advice.

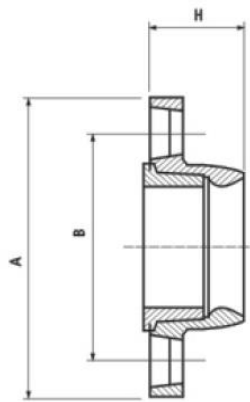
© 2018 DAVINCI VALVES LTD.

www.davincivalves.com info@davincivalves.com +34 616553797 / +86 17340168233
18 Dongyu Street, Square One 11th Floor 1101. Jinjiang District, Chengdu, Sichuan Province, China

FITTINGS PVC Quick Adaptor/ PE Coupling

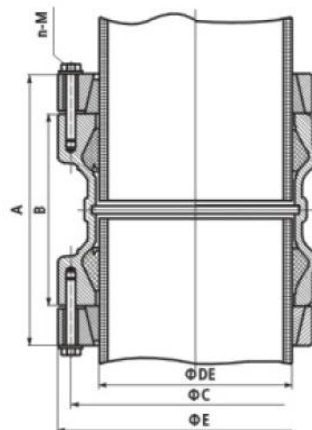
ref.1000A / PN 10-16

PVC Quick Adaptor



FA008	dn/DN	A	B	H
E-FA008-040040	40/40	150	110	46
E-FA008-050040	50/40	150	110	49
E-FA008-063050	63/50	165	125	55
E-FA008-063065060	63/65-60	185	140	55
E-FA008-075065060	75/65-60	185	140	60
E-FA008-090080	90/80	200	160	65
E-FA008-110100	110/100	220	180	70
E-FA008-125125	125/125	250	210	75
E-FA008-140125	140/125	250	210	75
E-FA008-160150	160/150	285	240	80
E-FA008-200200	200/220	340	295	90
E-FA008-225200	225/200	340	295	90
E-FA008-250250	250/250	400	355	95
E-FA008-315300	315/300	460	410	98
E-FA008-400400	400/400	580	525	105

PE Coupling



FA009	DN	A	B ± 3	ΦC	ΦE	n-M
E-FA006-063	63	120	166	100	124	8-M10 × 40
E-FA006-075	75	120	168	116	140	8-M10 × 40
E-FA006-090	90	120	178	130	154	8-M10 × 40
E-FA006-110	110	130	178	152	176	8-M10 × 40
E-FA006-125	125	135	185	172	196	8-M10 × 40
E-FA006-140	140	140	190	188	212	8-M10 × 40
E-FA006-160	160	160	218	210	236	8-M12 × 40
E-FA006-180	180	170	224	232	258	8-M12 × 40
E-FA006-200	200	190	244	260	286	12-M12 × 45
E-FA006-225	225	210	264	280	308	12-M12 × 45
E-FA006-250	250	230	284	315	343	12-M12 × 45
E-FA006-280	280	250	308	355	385	12-M12 × 50
E-FA006-315	315	270	328	390	420	12-M12 × 50

TECHNICAL DATA

All the components can be substituted with equivalent or higher-class materials.

DAVINCI VALVES LTD, is constantly looking at all ways of improving our products and services related to the water, fire and industry sector and therefore we reserve the right to change, without prior notice, any of the data contained here. Please contact our Technical Sales Department for detailed advice.

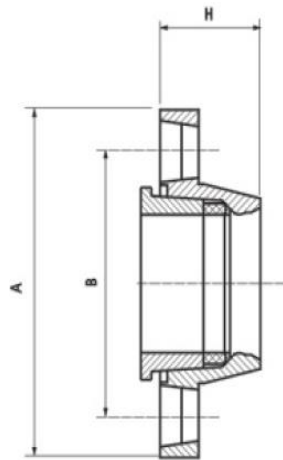
© 2018 DAVINCI VALVES LTD.

www.davincivalves.com info@davincivalves.com +34 616553797 / +86 17340168233
18 Dongyu Street, Square One 11th Floor 1101. Jinjiang District, Chengdu, Sichuan Province, China

FITTINGS PE Quick Adaptor/ Dismantling Joint

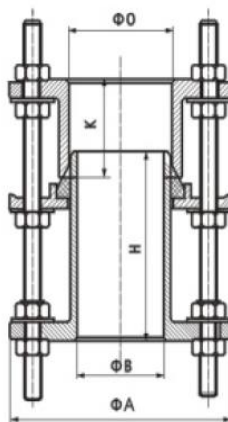
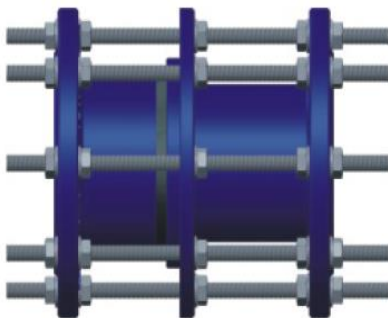
ref.1000A / PN 10-16

PE Quick Adaptor



FA009	dn/DN	A	B	H
E-FA009-010040	40/40	150	110	46
E-FA009-050040	50/40	150	110	49
E-FA009-063050	63/50	165	125	55
E-FA009-063065060	63/65-60	185	140	55
E-FA009-075065060	75/65-60	185	140	60
E-FA009-090080	90/80	200	160	65
E-FA009-110100	110/100	220	180	70
E-FA009-125125	125/125	250	210	75
E-FA009-140125	140/125	250	210	75
E-FA009-160150	160/150	285	240	80
E-FA009-200200	200/200	340	295	90
E-FA009-225200	225/200	340	295	90
E-FA009-250250	250/250	400	355	95
E-FA009-315300	315/300	460	410	98
E-FA009-400400	400/400	580	525	105

Dismantling Joint



FA011	DN	A	B	C	H	K
E-FA011-0050	50	165	50	65	155	80
E-FA011-0065	65	185	65	80	155	80
E-FA011-0080	80	200	80	95	155	80
E-FA011-0100	100	225	100	114	155	80
E-FA011-0125	125	255	125	141	160	80
E-FA011-0150	150	285	150	166	165	80
E-FA011-6200	200	340	200	217	160	80
E-FA011-6250	250	400	250	268	160	80
E-FA011-6300	300	455	300	319	180	90
E-FA011-6350	350	520	350	370	180	90
E-FA011-6400	400	580	400	421	180	90
E-FA011-6500	500	715	500	518	180	90
E-FA011-6600	600	840	600	618	180	90

TECHNICAL DATA

All the components can be substituted with equivalent or higher-class materials.

DAVINCI VALVES LTD, is constantly looking at all ways of improving our products and services related to the water, fire and industry sector and therefore we reserve the right to change, without prior notice, any of the data contained here. Please contact our Technical Sales Department for detailed advice.

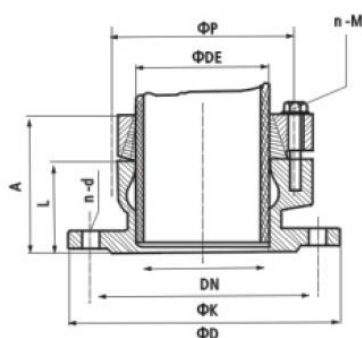
© 2018 DAVINCI VALVES LTD.

www.davincivalves.com info@davincivalves.com +34 616553797 / +86 17340168233
18 Dongyu Street, Square One 11th Floor 1101. Jinjiang District, Chengdu, Sichuan Province, China

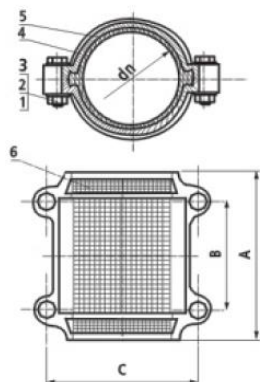
FITTINGS Strained Flange Adaptor For PE/ Coupling For PVC/PE

ref.1000A / PN 10-16

Strained Flange Adaptor For PE



Coupling For PVC/PE



FA017	ΦDE	DN	A ± 3	L	ΦD	ΦK	n-Φd	ΦP	n-M
E-FA017-063050	63	50	95	75	165	125	4-19	100	4-M10 × 40
E-FA017-063060		60	96	75	175	135	4-19	100	4-M10 × 40
E-FA017-075060	75	60	101	80	175	135	4-19	116	4-M10 × 40
E-FA017-075065		65	101	80	185	145	4-19	116	4-M10 × 40
E-FA017-090080	90	80	96	75	200	160	8-19	130	4-M10 × 40
E-FA017-110100	110	100	101	80	220	180	8-19	152	4-M10 × 40
E-FA017-125100	125	100	122	100	220	180	8-19	172	4-M10 × 40
E-FA017-125125		125	122	100	250	210	8-19	172	4-M10 × 40
E-FA017-140125	140	125	127	105	250	210	8-19	188	4-M10 × 40
E-FA017-160150	160	150	141	115	285	240	8-23	210	4-M12 × 45
E-FA017-180150	180	150	144	120	285	240	8-23	232	4-M12 × 45
E-FA017-200200	200	200	149	125	340	295	12-23	260	6-M12 × 45
E-FA017-225200	225	200	160	136	340	295	12-23	280	6-M12 × 45
E-FA017-250250	250	250	169	145	400	355	12-28	315	6-M12 × 45
E-FA017-280250	280	250	181	155	400	355	12-28	355	6-M12 × 50
E-FA017-315300	315	300	191	165	455	410	12-28	390	6-M12 × 50

N0	Part	pcs	Material
1	Nut	8	Q215
2	Washer	8	Q215
3	Bolt	4	Q215
4	Body	2	Qt500
5	ubber Pad	2	EPPM
6	Copper Ring	4	Cu

FA015	DN	Φdn	A	B	C
E-FA015-065075	65	75	170	100	126
E-FA015-080090	80	90	174	100	145
E-FA015-100110	100	110	195	120	165

TECHNICAL DATA

All the components can be substituted with equivalent or higher-class materials.

DAVINCI VALVES LTD, is constantly looking at all ways of improving our products and services related to the water, fire and industry sector and therefore we reserve the right to change, without prior notice, any of the data contained here. Please contact our Technical Sales Department for detailed advice.

© 2018 DAVINCI VALVES LTD.

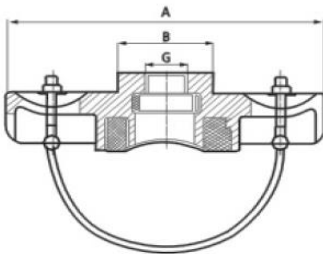
www.davincivalves.com info@davincivalves.com +34 616553797 / +86 17340168233

18 Dongyu Street, Square One 11th Floor 1101. Jinjiang District, Chengdu, Sichuan Province, China

FITTINGS Stainless Bend clamp For Di Pipes/ Saddle Clamp For PE/ PVC

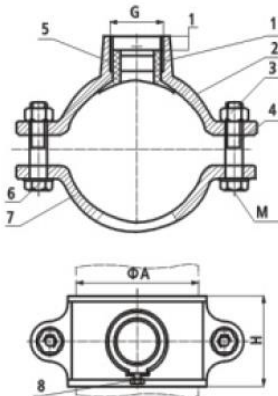
ref.1000A / PN 10-16

Stainless Bendclamp For Di Pipes



FA018	DN	G	A	ΦB
E-FA018-050034	50	3/4"	186	56
E-FA018-050001	50	1"	186	56
E-FA018-050114	50	1-1/4"	186	56
E-FA018-050112	50	1-1/2"	202	78
E-FA018-050002	50	2"	202	78
E-FA018-080034	80	3/4"	205	81
E-FA018-080001	80	1"	205	81
E-FA018-080114	80	1-1/4"	205	81
E-FA018-080112	80	1-1/2"	205	81
E-FA018-080002	80	2"	205	81

Saddle Clamp For PE/PVC



NO	Part	Pcs	Material
1	Seal Ring	1	EPDM
2	Lower Body	1	GGG50
3	M Nut(M8)	2	Q253-A
4	M Threaded Bolt(M8)	2	Q253-A
5	Copper Ring	1	ZCuZn38
6	Washer	2	Q235-A
7	Upper Body	1	GGG50
8	B Threaded Bolt(M8*20)	1	Q235-A

FA015	DN	ΦA	H	L	M	G
E-FA015-040	40	40	65	15	M10×60	M40×3/M55×3
E-FA015-050	50	50	75	15	M10×60	M40×3/M55×3
E-FA015-063	63	63	75	15	M12×60	M40×3/M55×3
E-FA015-072	75	75	75	15	M12×60	M40×3/M55×3
E-FA015-090	90	90	75	15	M12×60	M40×3/M55×3
E-FA015-110	110	110	80	15	M12×60	M40×3/M55×3
E-FA015-160	160	160	100	15	M12×60	M40×3/M55×3
E-FA015-200	200	200	100	15	M16×60	M40×3/M55×3
E-FA015-225	225	225	100	15	M16×60	M40×3/M55×3
E-FA015-250	250	250	110	15	M16×90	M40×3/M55×3
E-FA015-315	315	315	110	15	M16×90	M40×3/M55×3

TECHNICAL DATA

All the components can be substituted with equivalent or higher-class materials.

DAVINCI VALVES LTD, is constantly looking at all ways of improving our products and services related to the water, fire and industry sector and therefore we reserve the right to change, without prior notice, any of the data contained here. Please contact our Technical Sales Department for detailed advice.

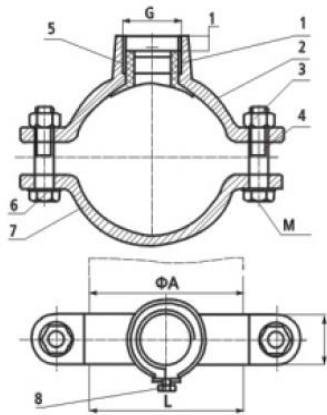
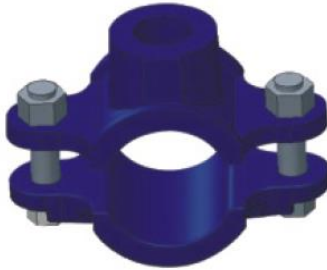
© 2018 DAVINCI VALVES LTD.

www.davincivalves.com info@davincivalves.com +34 616553797 / +86 17340168233
18 Dongyu Street, Square One 11th Floor 1101. Jinjiang District, Chengdu, Sichuan Province, China

FITTINGS Saddle Clamp for Di Pipes / Saddle Clamp for PE/ PVC

ref.1000A / PN 10-16

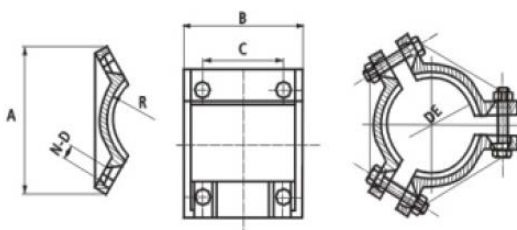
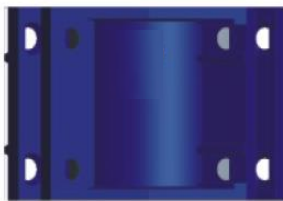
Saddle Clamp For Di Pipes



Nº	Part	Pcs	Material
1	Seal Ring	1	EPDM
2	Lower Body	1	GGG50
3	M Nut(M8)	2	Q253-A
4	M Threaded Bolt(M8)	2	Q253-A
5	Copper Ring	1	ZCuZn38
6	Washer	2	Q235-A
7	Upper Body	1	GGG50
8	B Threaded Bolt(M8*20)	1	Q235-A

FA016	DN	ΦA	H	L	M	G
E-FA016-040	40	45	35	15	M10×60	M40×3/M55×3
E-FA016-050	50	57	35	15	M10×60	M40×3/M55×3
E-FA016-060	60	68	35	15	M12×60	M40×3/M55×3
E-FA016-080	80	89	36	15	M12×60	M40×3/M55×3
E-FA016-100	100	114	36	15	M12×60	M40×3/M55×3
E-FA016-125	125	140	38	15	M12×60	M40×3/M55×3
E-FA016-150	150	168	40	15	M16×80	M40×3/M55×3
E-FA016-200	200	219	44	15	M16×80	M40×3/M55×3
E-FA016-250	250	273	50	15	M16×90	M40×3/M55×3
E-FA016-300	300	325	60	15	M16×90	M40×3/M55×3
E-FA016-350	350	377	70	15	M16×90	M40×3/M55×3
E-FA016-400	400	430	80	15	M20×100	M40×3/M55×3
E-FA016-500	500	530	90	15	M20×100	M40×3/M55×3
E-FA016-600	600	630	100	15	M20×100	M40×3/M55×3

Saddle Clamp For PE/PVC



FA020	DN	ΦDE	A	B	C	N-ΦD
E-FA020-060	60	64-85	166	140	95	4-Φ16
E-FA020-080	80	84-109	184	160	105	4-Φ18
E-FA020-100	100	108-125	195	160	98	4-Φ20
E-FA020-125	125	130-160	222	180	120	4-Φ20
E-FA020-150	150	159-184	240	205	108	4-Φ20
E-FA020-200	200	211-238	289	270	105+105	6-Φ20
E-FA020-250	250	251-283	326	360	140+140	6-Φ20
E-FA020-300	300	310-340	364	430	110+110+110	8Φ20

TECHNICAL DATA

All the components can be substituted with equivalent or higher-class materials.

DAVINCI VALVES LTD, is constantly looking at all ways of improving our products and services related to the water, fire and industry sector and therefore we reserve the right to change, without prior notice, any of the data contained here. Please contact our Technical Sales Department for detailed advice.

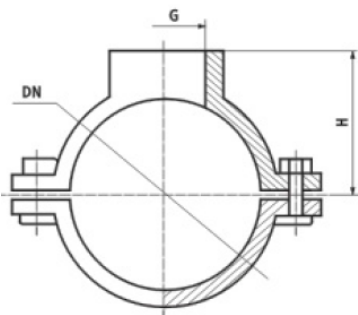
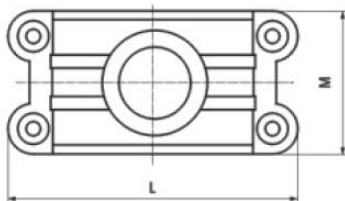
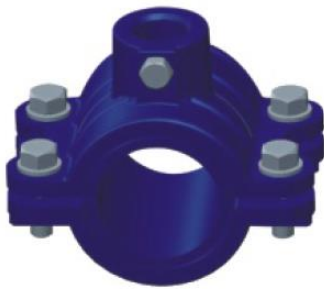
© 2018 DAVINCI VALVES LTD.

www.davincivalves.com info@davincivalves.com +34 616553797 / +86 17340168233
18 Dongyu Street, Square One 11th Floor 1101. Jinjiang District, Chengdu, Sichuan Province, China

FITTINGS Saddle

ref.1000A / PN 10-16

Saddle



FA019	dn	G	H	M	L
E-FA019-040001	40	1"			
E-FA019-050012	50	1/2"			
E-FA019-150034	50	3/4"	58	86	133
E-FA019-050001	50	1"			
E-FA019-063012	63	1/2"			
E-FA019-063034	63	3/4"			
E-FA019-063001	63	1"			
E-FA019-063114	63	1-1/4"	64	85	138
E-FA019-063112	63	1-1/2"			
E-FA019-063002	63	2"			
E-FA019-075012	75	1/2"			
E-FA019-075034	75	3/4"			
E-FA019-075001	75	1"			
E-FA019-075114	75	1-1/4"	67	85	150
E-FA019-075112	75	1-1/2"			
E-FA019-075002	75	2"			
E-FA019-090034	90	3/4"			
E-FA019-090001	90	1"			
E-FA019-090114	90	1-1/4"	75	90	165
E-FA019-090112	90	1-1/2"			
E-FA019-090001	90	2"			
E-FA019-110034	110	3/4"			
E-FA019-110001	110	1"			
E-FA019-110114	110	1-1/4"	85	100	189
E-FA019-110112	110	1-1/2"			
E-FA019-110002	110	2"			
E-FA019-125034	125	3/4"			
E-FA019-125001	125	1"			
E-FA019-125114	125	1-1/4"	95	100	204
E-FA019-125112	125	1-1/2"			
E-FA019-125002	125	2"			

FA019	dn	G	H	M	L
E-FA019-140034	140	3/4"			
E-FA019-140001	140	1"			
E-FA019-140114	140	1-1/4"	110	100	217
E-FA019-140112	140	1-1/2"			
E-FA019-140002	140	2"			
E-FA019-160034	160	3/4"			
E-FA019-160001	160	1"			
E-FA019-160114	160	1-1/4"	125	110	245
E-FA019-160112	160	1-1/2"			
E-FA019-160002	160	2"			
E-FA019-200234	200	3/4"			
E-FA019-200001	200	1"			
E-FA019-200114	200	1-1/4"	147	110	287
E-FA019-200112	200	1-1/2"			
E-FA019-200002	200	2"			
E-FA019-250001	250	1"			
E-FA019-250114	250	1-1/4"			
E-FA019-250112	250	1-1/2"			
E-FA019-250002	250	2"	170	140	347
E-FA019-250212	250	2-1/2"			
E-FA019-250003	250	3"			
E-FA019-315001	315	1"			
E-FA019-315114	315	1-1/4"			
E-FA019-315112	315	1-1/2"			
E-FA019-315002	315	2"	230	250	424
E-FA019-215212	315	2-1/2"			
E-FA019-315003	315	3"			
E-FA019-315004	315	4"			

TECHNICAL DATA

All the components can be substituted with equivalent or higher-class materials.

DAVINCI VALVES LTD, is constantly looking at all ways of improving our products and services related to the water, fire and industry sector and therefore we reserve the right to change, without prior notice, any of the data contained here. Please contact our Technical Sales Department for detailed advice.

© 2018 DAVINCI VALVES LTD.

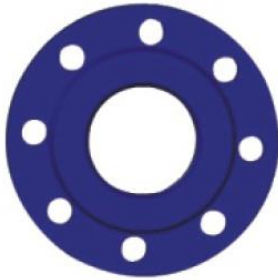
www.davincivalves.com info@davincivalves.com +34 616553797 / +86 17340168233

18 Dongyu Street, Square One 11th Floor 1101, Jinjiang District, Chengdu, Sichuan Province, China

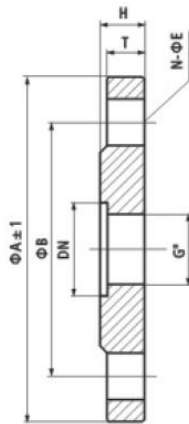
FITTINGS Flange/ Blinded Flange

ref.1000A / PN 10-16

Flange

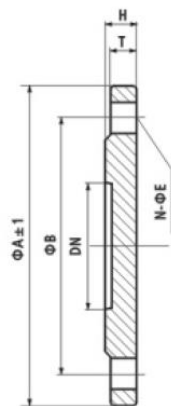
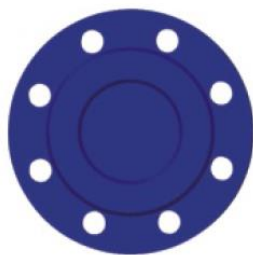


G"	1/2"
	3/4"
	1"
	1-1/4"
	1-1/2"
2"	



A-CF010	DN(mm)	ΦA(mm)	ΦB(mm)	H(mm)	T(mm)	N-ΦE
A-CF010-6040	40	150	110	19	16	4-19
A-CF010-6050	50	165	125	19	16	4-19
A-CF010-6060	60	175	135	19	16	4-19
A-CF010-6065	65	185	80	19	16	4-19
A-CF010-6080	80	200	160	19	16	8-19
A-CF010-6100	100	220	180	19	16	8-19
A-CF010-6125	125	250	210	19	16	8-19
A-CF010-5125	125	270	220	23.5	20.5	8-28
A-CF010-6150	150	285	240	19	16	8-23
A-CF010-6150	150	300	250	20	17	8-28
A-CF010-0200	200	340	295	20	17	8-23
A-CF010-6200	200	340	295	20	17	12-23
A-CF010-5200	200	360	310	22	19	12-28
A-CF010-0250	250	400	350	22	19	12-23
A-CF010-6250	250	425	355	22	19	12-28
A-CF010-0300	300	455	400	24.5	20.5	12-23
A-CF010-6300	300	455	410	24.5	20.5	12-28
A-CF010-0350	350	505	460	24.5	20.5	16-23
A-CF010-6350	350	520	470	26.5	22.5	16-28
A-CF010-0400	400	565	515	24.5	20.5	16-28
A-CF010-6400	400	580	525	28	24	16-31
A-CF010-0450	450	615	565	25.5	21.5	20-28
A-CF010-6450	450	640	585	30	26	20-31
A-CF010-0500	500	670	620	26.5	22.5	20-28
A-CF010-6500	500	715	650	31.5	27.5	20-31
A-CF010-0600	600	780	725	30	25	20-31
A-CF010-6600	600	840	770	60	31	20-31

Blinded Flange



A-CF010	DN	ΦA	ΦB	H	T	N-ΦE
A-CF010-6040	40	150	110	19	16	4-19
A-CF010-6050	50	165	125	19	16	4-19
A-CF010-6060	60	175	135	19	16	4-19
A-CF010-6065	65	185	80	19	16	4-19
A-CF010-6080	80	200	160	19	16	8-19
A-CF010-6100	100	220	180	19	16	8-19
A-CF010-6125	125	250	210	19	16	8-19
A-CF010-5125	125	270	220	23.5	20.5	8-28
A-CF010-6150	150	285	240	19	16	8-23
A-CF010-5150	150	300	250	20	17	8-28
A-CF010-0200	200	340	295	20	17	8-23
A-CF010-6200	200	340	295	20	17	12-23
A-CF010-5200	200	360	310	22	19	12-28
A-CF010-0250	250	400	350	22	19	12-23
A-CF010-6250	250	425	355	22	19	12-28
A-CF010-0300	300	455	400	24.35	20.5	12-23
A-CF010-6300	300	455	410	24.5	20.5	12-28
A-CF010-0350	350	505	460	24.5	20.5	16-23
A-CF010-6350	350	520	470	26.5	22.5	16-28
A-CF010-0400	400	565	515	24.5	20.5	16-28
A-CF010-6400	400	580	525	28	24	16-31
A-CF010-0450	450	615	565	25.5	21.5	20-28
A-CF010-6450	450	640	585	30	26	20-31
A-CF010-0500	500	670	620	26.5	22.5	20-28
A-CF010-6500	500	715	650	31.5	27.5	20-31
A-CF010-0600	600	780	725	30	25	20-31
A-CF010-6600	600	840	770	36	31	20-31

All the components can be substituted with equivalent or higher-class materials.

DAVINCI VALVES LTD, is constantly looking at all ways of improving our products and services related to the water, fire and industry sector and therefore we reserve the right to change, without prior notice, any of the data contained here. Please contact our Technical Sales Department for detailed advice.

© 2018 DAVINCI VALVES LTD.

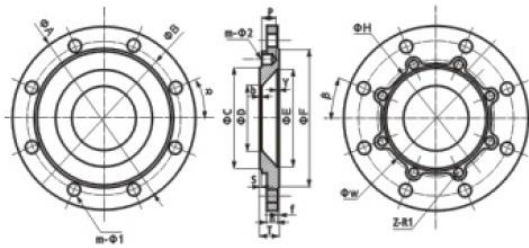
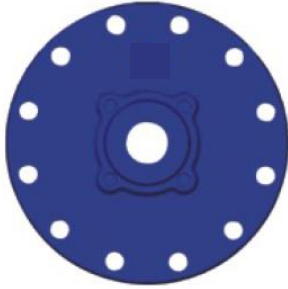
www.davincivalves.com info@davincivalves.com +34 616553797 / +86 17340168233

18 Dongyu Street, Square One 11th Floor 1101, Jinjiang District, Chengdu, Sichuan Province, China

FITTINGS Reduced Flange/ High Neck Weld Flange

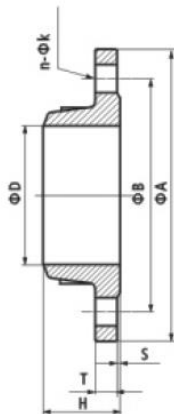
ref.1000A / PN 10-16

Reduced Flange



A-CF003	dn/DN	DA	DB	H	A-CF003	dn/DN	DA	DB	H	
A-CF003-0060040D	60/40(D)(4/4)	110	45	175	A-CF003-0125084D	125/80(D)(8/4)	250	160	31	
A-CF003-0060050D	60/50(D)(4/4)	125	50		A-CF003-0125100D	125/100(D)(8/8)	250	180	42	
A-CF003-0065040D	65/40(D)(4/4)	110	38	185	A-CF003-0150060S	150/60(D)(8/4)	340	135	33	
A-CF003-0065050D	65/50(D)(4/4)	125	45		A-CF003-0150065S	150/65(S)(8/4)	340	145	33	
A-CF003-0080040D	80/40(D)(8/4)	110	30	200	A-CF003-0150084S	150/80(S)(8/4)	340	285	30	
A-CF003-00804040D	80/40(D)(4/4)	110	30		A-CF003-0150100D	150/100(D)(8/8)	340	180	30	
A-CF003-0080050D	80/50(D)(8/4)	125	30	220	A-CF003-0150125D	150/125(D)(8/8)	340	210	45	
A-CF003-00804050D	80/50(D)(4/4)	125	30		A-CF003-0200060S	200/60(S)(8/4)	340	135	33	
A-CF003-0080460D	80/60(D)(4/4)	135	33	250	A-CF003-0500065S	200/65(S)(8/4)	340	145	33	
A-CF003-0080060D	80/60(D)(8/4)	135	33		A-CF003-0200080S	200/80(S)(8/8)	340	160	33	
A-CF003-0080065D	80/65(D)(8/4)	145	30	250	A-CF003-05200084	200/80(S)(8/4)	340	160	33	
A-CF003-00804045D	80/65(D)(4/4)	145	30		A-CF003-0200100S	200/100(S)(8/8)	340	180	33	
A-CF003-0100040S	100/40(S)(8/4)	110	30	250	A-CF003-0200125S	200/125(S)(8/8)	340	210	30	
A-CF003-0100060D	100/60(D)(8/4)	135	30		A-CF003-0200150S	200/150(S)(12/8)	340	240	38	
A-CF003-0100065D	100/65(D)(8/4)	145	30	250	A-CF003-0250150D	200/150(D)(12/8)	340	240	38	
A-CF003-0100084D	100/80(D)(8/4)	160	45		A-CF003-0250150S	250/150(S)(12/8)	340	240	40	
A-CF003-0100080D	100/80(D)(8/4)	160	45	250	A-CF003-0250208D	250/200(D)(12/8)	340	400	295	50
A-CF003-0125060D	125/60(D)(8/4)	135	30		A-CF003-6250212D	250/200(D)(12/12)	340	295	50	
A-CF003-0125065D	125/65(D)(8/4)	145	30	250	A-CF003-0300208S	300/200(S)(12/8)	340	295	40	
					A-CF003-6300212D	300/200(D)(12/12)	340	350	54	

High Neck Welded Flange



A-CF006	DN	ΦA	ΦB	ΦD	H	n-Φd	S	T
A-CF006-6080J	80	200	160	95	54	8-19	3	16
A-CF006-6100J	100	220	180	153	57	8-19	3	16
A-CF006-6150J	150	285	240	209	61	8-23	3	16
A-CF006-6200J	200	340	295	264	66	12-23	3	147
A-CF006-6250J	250	400	355	319	71	12-28	3	19
A-CF006-6300J	300	455	410	367	77	12-28	4	20.5
A-CF006-6350J	350	520	470	432	95	16-29	4	22.5
A-CF006-6400J	400	580	525	480	100	16-32	4	24
A-CF006-6450J	450	640	585	548	110	20-32	4	26
A-CF006-6500J	500	715	650	609	123	20-35	4	27.5
A-CF006-6600J	600	840	770	720	130	20-28	5	31

TECHNICAL DATA

All the components can be substituted with equivalent or higher-class materials.

DAVINCI VALVES LTD, is constantly looking at all ways of improving our products and services related to the water, fire and industry sector and therefore we reserve the right to change, without prior notice, any of the data contained here. Please contact our Technical Sales Department for detailed advice.

© 2018 DAVINCI VALVES LTD.

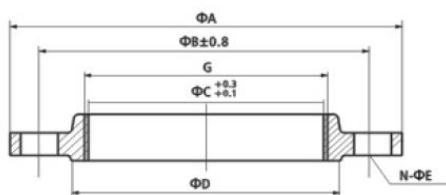
www.davincivalves.com info@davincivalves.com +34 616553797 / +86 17340168233

18 Dongyu Street, Square One 11th Floor 1101, Jinjiang District, Chengdu, Sichuan Province, China

FITTINGS Threaded Flange

ref.1000A / PN 10-16

Threaded flange



A-CF004	DN	ΦA	ΦB	ΦC	ΦD	DN	DN	ΦE
A-CF004-0050001A	1"	165	125	30.3	99	1"	4	19
A-CF004-0050114A	1 1/4"	165	125	39	99	1 1/4"	4	19
A-CF004-0050112A	1 1/2"	165	125	44.9	99	1 1/2"	4	19
A-CF004-0050134A	1 3/4"	165	125	50.9	99	1 3/4"	4	19
A-CF004-0050002A	2"	165	125	56.7	99	2"	4	19
A-CF004-0050212A	2 1/2"	165	125	72.3	99	2 1/2"	4	19
A-CF004-0050003A	3"	165	125	85	99	3"	4	19
A-CF004-0050312A	3 1/2"	165	125	97.4	99	3 1/2"	4	19
A-CF004-0050004A	4"	165	125	110.1	99	4"	4	19
A-CF004-0050412A	4 1/2"	165	125	122.8	99	4 1/2"	4	19
A-CF004-0050005A	5"	165	125	135.5	99	5"	4	19
A-CF004-0050006A	6"	165	125	160.9	108	6"	4	19
A-CF004-0060001A	1"	175	135	30.3	108	1"	4	19
A-CF004-0060114A	1 1/4"	175	135	39	108	1 1/4"	4	19
A-CF004-006112A	1 1/2"	175	135	44.9	108	1 1/2"	4	19
A-CF004-0060134A	1 3/4"	175	135	50.9	108	1 3/4"	4	19
A-CF004-0060002A	2"	175	135	56.7	108	2"	4	19
A-CF004-0060212A	2 1/2"	175	135	72.3	108	2 1/2"	4	19
A-CF004-0060003A	3"	175	135	85	108	3"	4	19
A-CF004-0060312A	3 1/2"	175	135	97.4	108	3 1/2"	4	19
A-CF004-0060004A	4"	175	135	110.1	108	4"	4	19
A-CF004-0060412A	4 1/2"	175	135	122.8	108	4 1/2"	4	19
A-CF004-0060005A	5"	175	135	135.5	118	5"	4	19
A-CF004-0060006A	6"	175	135	160.9	118	6"	4	19
A-CF004-0065001A	1"	185	145	30.3	118	1"	4	19
A-CF004-0065114A	1 1/4"	185	145	39	118	1 1/4"	4	19
A-CF004-006112A	1 1/2"	185	145	44.9	118	1 1/2"	4	19
A-CF004-0065134A	1 3/4"	185	145	50.9	118	1 3/4"	4	19
A-CF004-0065002A	2"	185	145	56.7	118	2"	4	19
A-CF004-0065212A	2 1/2"	185	145	72.3	118	2 1/2"	4	19
A-CF004-0065003A	3"	185	145	85	118	3"	4	19
A-CF004-0065312A	3 1/2"	185	145	97.4	118	3 1/2"	4	19
A-CF004-0065004A	4"	185	145	110.1	118	4"	4	19
A-CF004-0065412A	4 1/2"	185	145	122.8	118	4 1/2"	4	19
A-CF004-0065005A	5"	185	145	135.5	118	5"	4	19
A-CF004-0065006A	6"	185	145	160.9	118	6"	4	19

A-CF004	DN	ΦA	ΦB	ΦC	ΦD	DN	DN	ΦE
A-CF004-0080001A	1"	200	160	30.3	132	1"	8	19
A-CF004-0080114A	1 1/4"	200	160	39	132	1 1/4"	8	19
A-CF004-006112A	1 1/2"	200	160	44.9	132	1 1/2"	8	19
A-CF004-0080134A	1 3/4"	200	160	50.9	132	1 3/4"	8	19
A-CF004-0080002A	2"	200	160	56.7	132	2"	8	19
A-CF004-0080212A	2 1/2"	200	160	72.3	132	2 1/2"	8	19
A-CF004-0080003A	3"	200	160	85	132	3"	8	19
A-CF004-0080312A	3 1/2"	200	160	97.4	132	3 1/2"	8	19
A-CF004-0080004A	4"	200	160	110.1	132	4"	8	19
A-CF004-0080412A	4 1/2"	200	160	122.8	132	4 1/2"	8	19
A-CF004-0080005A	5"	200	160	135.5	132	5"	8	19
A-CF004-0080006A	6"	200	160	160.9	132	6"	8	19
A-CF004-0100001A	1"	220	180	30.3	156	1"	8	19
A-CF004-0100114A	1 1/4"	220	180	39	156	1 1/4"	8	19
A-CF004-006112A	1 1/2"	220	180	44.9	156	1 1/2"	8	19
A-CF004-0100134A	1 3/4"	220	180	50.9	156	1 3/4"	8	19
A-CF004-0100002A	2"	220	180	56.7	156	2"	8	19
A-CF004-0100212A	2 1/2"	220	180	72.3	156	2 1/2"	8	19
A-CF004-0100003A	3"	220	180	85	156	3"	8	19
A-CF004-0100312A	3 1/2"	220	180	97.4	156	3 1/2"	8	19
A-CF004-0100004A	4"	220	180	110.1	156	4"	8	19
A-CF004-0100412A	4 1/2"	220	180	122.8	156	4 1/2"	8	19
A-CF004-0100005A	5"	220	180	135.5	156	5"	8	19
A-CF004-0100006A	6"	220	180	160.9	156	6"	8	19
A-CF004-0125001A	1"	250	210	30.3	184	1"	8	19
A-CF004-0125114A	1 1/4"	250	210	39	184	1 1/4"	8	19
A-CF004-006112A	1 1/2"	250	210	44.9	184	1 1/2"	8	19
A-CF004-0125134A	1 3/4"	250	210	50.9	184	1 3/4"	8	19
A-CF004-0125002A	2"	250	210	56.7	184	2"	8	19
A-CF004-0125212A	2 1/2"	250	210	72.3	184	2 1/2"	8	19
A-CF004-0125003A	3"	250	210	85	184	3"	8	19
A-CF004-0125312A	3 1/2"	250	210	97.4	184	3 1/2"	8	19
A-CF004-0125004A	4"	250	210	110.1	184	4"	8	19
A-CF004-0125412A	4 1/2"	250	210	122.8	184	4 1/2"	8	19
A-CF004-0125005A	5"	250	210	135.5	184	5"	8	19
A-CF004-0125006A	6"	250	210	160.9	184	6"	8	19

TECHNICAL DATA

All the components can be substituted with equivalent or higher-class materials.

DAVINCI VALVES LTD, is constantly looking at all ways of improving our products and services related to the water, fire and industry sector and therefore we reserve the right to change, without prior notice, any of the data contained here. Please contact our Technical Sales Department for detailed advice.

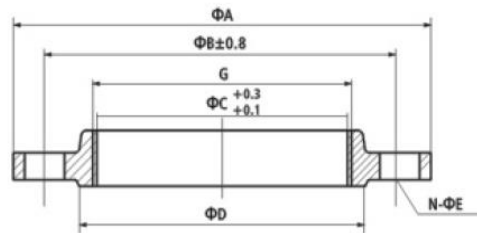
© 2018 DAVINCI VALVES LTD.

www.davincivalves.com info@davincivalves.com +34 616553797 / +86 17340168233
18 Dongyu Street, Square One 11th Floor 1101. Jinjiang District, Chengdu, Sichuan Province, China

FITTINGS Threaded Flange

ref.1000A / PN 10-16

Threaded flange



A-CF004	DN	ΦA	ΦB	ΦC	ΦD	DN	DN	ΦE
A-CF004-0150001A	1"	285	240	30.3	211	1"	8	23
A-CF004-0150114A	1 1/4"	285	240	39	211	1 1/4"	8	23
A-CF004-016112A	1 1/2"	285	240	44.9	211	1 1/2"	8	23
A-CF004-0150134A	1 3/4"	285	240	50.9	211	1 3/4"	8	23
A-CF004-0150002A	2"	285	240	56.7	211	2"	8	23
A-CF004-0150212A	2 1/2"	285	240	72.3	211	2 1/2"	8	23
A-CF004-0150003A	3"	285	240	85	211	3"	8	23
A-CF004-0150312A	3 1/2"	285	240	97.4	211	3 1/2"	8	23
A-CF004-0150004A	4"	285	240	110.1	211	4"	8	23
A-CF004-0150412A	4 1/2"	285	240	12.8	211	4 1/2"	8	23
A-CF004-0150005A	5"	285	240	135.5	211	5"	8	23
A-CF004-0150006A	6"	285	240	160.9	211	6"	8	23
A-CF004-6200001A	1"	340	295	30.3	266	1"	12	23
A-CF004-6200114A	1 1/4"	340	295	39	266	1 1/4"	12	23
A-CF004-006112A	1 1/2"	340	295	44.9	266	1 1/2"	12	23
A-CF004-6200134A	1 3/4"	340	295	50.9	266	1 3/4"	12	23
A-CF004-6200002A	2"	340	295	56.7	266	2"	12	23
A-CF004-6200212A	2 1/2"	340	295	72.3	266	2 1/2"	12	23
A-CF004-6200003A	3"	340	295	85	266	3"	12	23
A-CF004-6200312A	3 1/2"	340	295	97.4	266	3 1/2"	12	23
A-CF004-6200004A	4"	340	295	110.1	266	4"	12	23
A-CF004-6200412A	4 1/2"	340	295	122.8	266	4 1/2"	12	23
A-CF004-6200005A	5"	340	295	135.5	266	5"	12	23
A-CF004-6200006A	6"	340	295	160.9	266	6"	12	23

A-CF004	DN	ΦA	ΦB	ΦC	ΦD	DN	DN	ΦE
A-CF004-6250001A	1"	400	355	30.3	319	1"	12	28
A-CF004-6250114A	1 1/4"	400	355	39	319	1 1/4"	12	28
A-CF004-006112A	1 1/2"	400	355	44.9	319	1 1/2"	12	28
A-CF004-6250134A	1 3/4"	400	355	50.9	319	1 3/4"	12	28
A-CF004-6250002A	2"	400	355	56.7	319	2"	12	28
A-CF004-6250212A	2 1/2"	400	355	72.3	319	2 1/2"	12	28
A-CF004-6250003A	3"	400	355	85	319	3"	12	28
A-CF004-6250312A	3 1/2"	400	355	97.4	319	3 1/2"	12	28
A-CF004-6250004A	4"	400	355	110.1	319	4"	12	28
A-CF004-6250412A	4 1/2"	400	355	122.8	319	4 1/2"	12	28
A-CF004-6250005A	5"	400	355	135.5	319	5"	12	28
A-CF004-6250006A	6"	400	355	160.9	319	6"	12	28
A-CF004-6300001A	1"	455	410	30.3	370	1"	12	28
A-CF004-6300114A	1 1/4"	455	410	39	370	1 1/4"	12	28
A-CF004-006112A	1 1/2"	455	410	44.9	370	1 1/2"	12	28
A-CF004-6300134A	1 3/4"	455	410	50.9	370	1 3/4"	12	28
A-CF004-6300002A	2"	455	410	56.7	370	2"	12	28
A-CF004-6300212A	2 1/2"	455	410	72.3	370	2 1/2"	12	28
A-CF004-6300003A	3"	455	410	85	370	3"	12	28
A-CF004-6300312A	3 1/2"	455	410	97.4	370	3 1/2"	12	28
A-CF004-6300004A	4"	455	410	110.1	370	4"	12	28
A-CF004-6300412A	4 1/2"	455	410	122.8	370	4 1/2"	12	28
A-CF004-6300005A	5"	455	410	135.5	370	5"	12	28
A-CF004-6300006A	6"	455	410	160.9	370	6"	12	28

TECHNICAL DATA

All the components can be substituted with equivalent or higher-class materials.

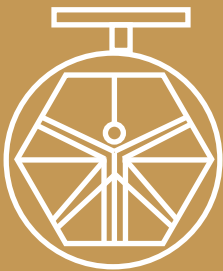
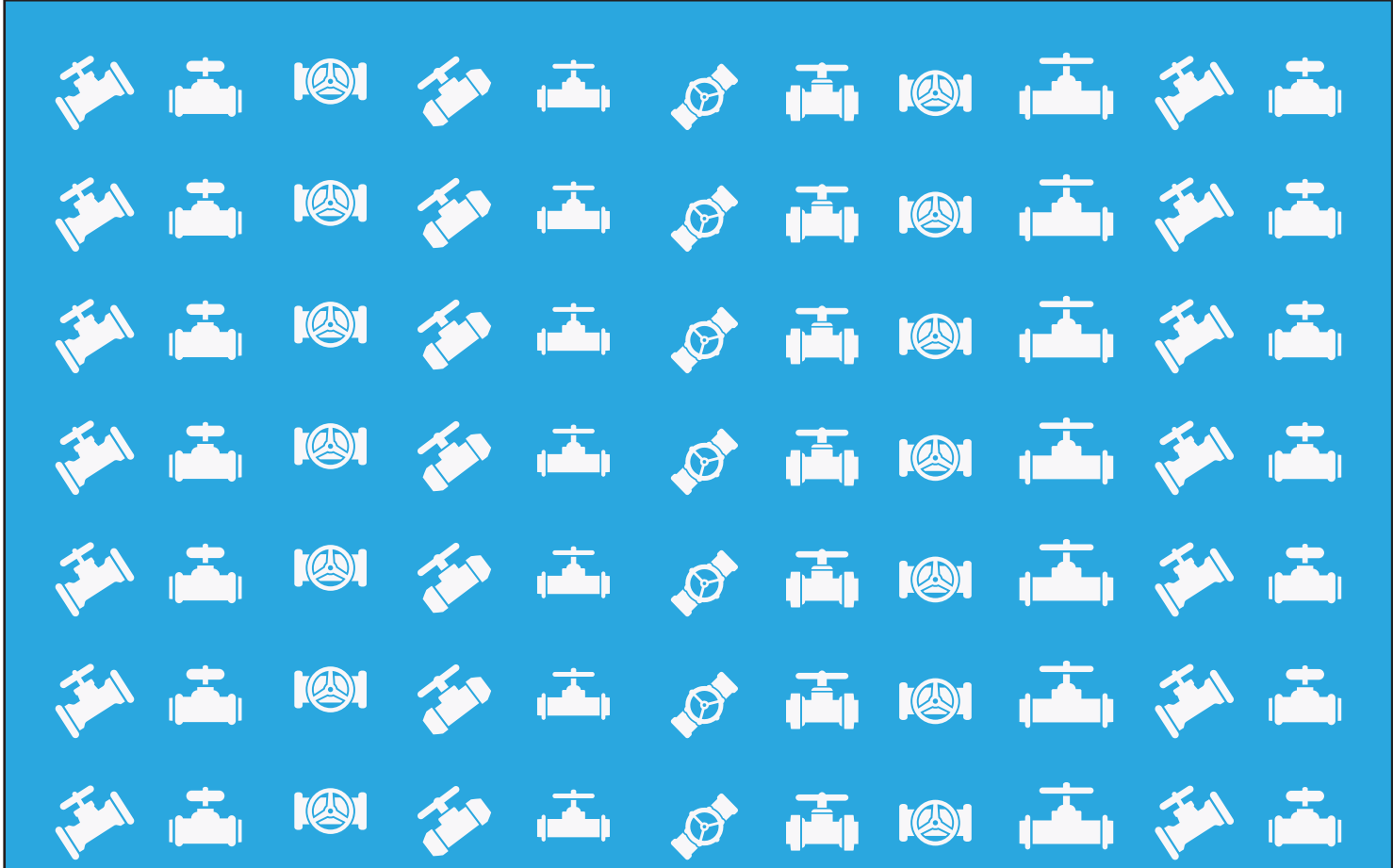
DAVINCI VALVES LTD, is constantly looking at all ways of improving our products and services related to the water, fire and industry sector and therefore we reserve the right to change, without prior notice, any of the data contained here. Please contact our Technical Sales Department for detailed advice.

© 2018 DAVINCI VALVES LTD.

www.davincivalves.com info@davincivalves.com +34 616553797 / +86 17340168233
18 Dongyu Street, Square One 11th Floor 1101. Jinjiang District, Chengdu, Sichuan Province, China

"For professionals who wants more"

www.davincivalves.com



DAVINCI
VALVES™

