

**GROUP 200
GATE VALVES
MOD. 201A/19**



**DAVINCI
VALVES™**

**TECHNICAL
DATA SHEET**

FIRE Series

**SYSTEM UL/FM
FLANGED ENDS WITH ISO TOP FLANGE**

**DAVINCI
VALVES™**



**QUALITY
ASSUREMENT**

**DAVINCI
VALVES™**



**PRODUCT QT
ASSUREMENT**

**DAVINCI
VALVES™**



**COMPANY QT
ASSUREMENT**

www.davincivalves.com

18 Dongyu Street, Square One,
11th Floor 1101, Jinjiang District,
Chengdu, Sichuan CHINA

10F/Tower A, Billion Center,
1 Wang Kwong Road, Kowloon Bay
Kowloon HONG KONG

RESILIENT SEAT GATE VALVE FLANGED END WITH ISO FLANGE ON TOP 200PSI UL/FM FIRE SYSTEMS

Ref.201A / 200PSI

GENERAL CHARACTERISTICS:

Range from ND50 up to ND300.

Full bore.

100% Tightness in both ways.

Minimum head loss.

Low torque values.

Epoxy paint 250 microns

WORKING CONDITIONS:

Pressure Ratings: 200PSI

Working Temperature: -10C +100C

Suitable Media: Water

Consult for other applications

STANDARDS:

Design: AWWA515

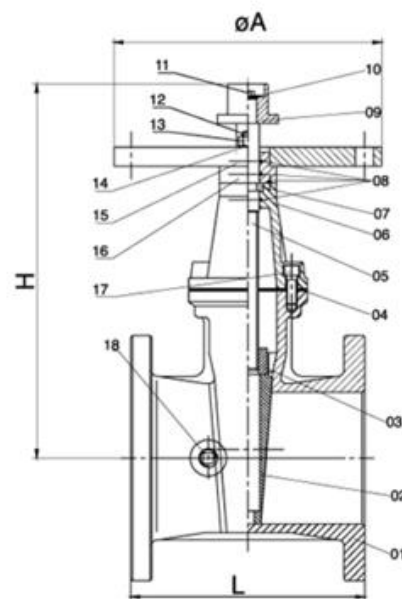
Flange standard: ASME/ANSIB16.1 Class 125 or

ASME/ANSI B16.42 Class 150 or BS EN1092-2

PN16 or GB/T9113.1

Pressure Test: EN 12266-1 Rate A.

EU directive 2014/68/EU



ITEM	2-1/2"	3"	4"	5"	6"	8"	10"	12"
L	190	203	229	254	267	292	330	356
H	289	326	355	410	455	558	648	745
øA	305	305	305	305	305	305	305	305

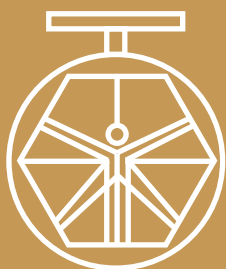
ITEM	PART	MATERIAL	ITEM	PART	MATERIAL	ITEM	PART	MATERIAL
1	Body	DI GJS450	7	Retainer Ring	C95400	13	Blind Nut	Steel
2	Disc	DI GJS450 + EPDM	8	O-ring	EPDM	14	Plain Washer	Steel
3	Nut	BRONZE ASTM B62	9	Scotch	DI GJS450	15	Coupling Flange	DI GJS450
4	Gasket	EPDM	10	Minipad	Steel	16	Platen	DI GJS450
5	Stem	AISI420	11	Boltuç	Steel	17	Countersunk Head Bolt	Steel
6	Cap	GJS450	12	Bolt Stud	Steel	18	Plug	C95400

All the components can be substituted with equivalent or higher-class materials.

DAVINCI VALVES LTD, is constantly looking at all ways of improving our products and services related to the water, fire and industry sector and therefore we reserve the right to change, without prior notice, any of the data contained here. Please contact our Technical Sales Department for detailed advice.
© 2018 DAVINCI VALVES LTD.

www.davincivalves.com info@davincivalves.com +34 616553797 / +86 17340168233
18 Dongyu Street, Square One 11th Floor 1101, Jinjiang District, Chengdu, Sichuan Province, China

"For professionals who wants more"



DAVINCI
VALVES™