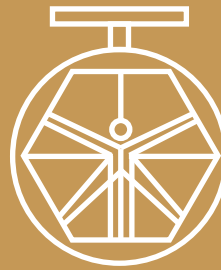


**GROUP 300  
COMPLEMENTS  
MOD. 321/61**



**DAVINCI  
VALVES™**

**TECHNICAL  
DATA SHEET  
WATER Series**

**BASKET STRAINERS FLANGED ENDS**

**DAVINCI  
VALVES™**



**QUALITY  
ASSUREMENT**

**DAVINCI  
VALVES™**



**PRODUCT QT  
ASSUREMENT**

**DAVINCI  
VALVES™**



**COMPANY QT  
ASSUREMENT**

[www.davincivalves.com](http://www.davincivalves.com)

18 Dongyu Street, Square One,  
11th Floor 1101, Jinjiang District,  
Chengdu, Sichuan CHINA

10F/Tower A, Billion Center,  
1 Wang Kwong Road, Kowloon Bay  
Kowloon HONG KONG

## BASKET STRAINERS FLANGED END

Ref.321A / PN 10-16

### APPLICATION:

Water, HVAC installations, irrigation, industry, others

### WORKING CONDITIONS:

Maximum Working Pressure: 16 bar (\*)  
Working Temperature: - 10 °C - + 100 °C.

### STANDARDS:

Manufacture according to ANSI

Face to Face: ANSI B16.10

Mounting with flanges: PN10 / PN16 EN 1092-2. DIN 2501.

Pressure Test: EN 12266-1, DIN 3230 y ISO 5208:

Body: 24 bars. Seat: 17,6 bars.

EU directive 2014/68/EU Equipment under pressure: Product excluded (Art. 4, 3)

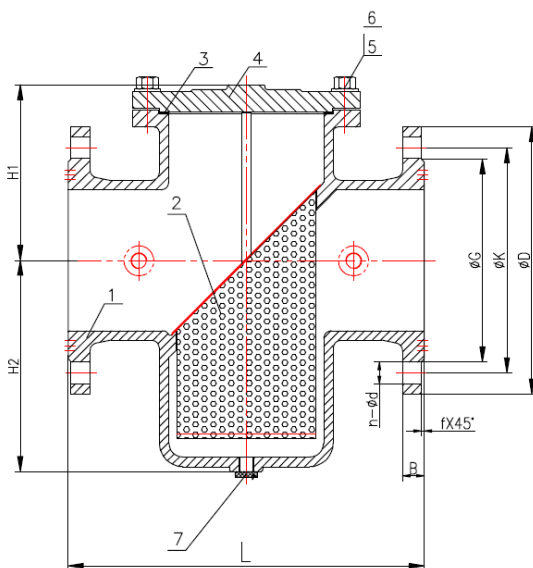
### GENERAL CHARACTERISTICS:

Range from ND50 up to ND600.

Removable filter for easy replacement.

Screen with special perforations on request.

Epoxy paint 250 microns RAL 5015.



| Nº | ITEM         | MATERIAL |
|----|--------------|----------|
| 1  | BODY         | GJS500   |
| 2  | SCREEN       | AISI304  |
| 3  | COVER GASKET | EPDM     |
| 4  | COVER        | GJS500   |
| 5  | BOLT         | A2-70    |
| 6  | BOLT NUT     | A2-70    |
| 7  | PLUG         | CS       |

| DN  | L    | D   | K   | G   | B    | f | n-d   | H1  | H2  |
|-----|------|-----|-----|-----|------|---|-------|-----|-----|
| 50  | 207  | 165 | 125 | 99  | 19   | 3 | 4-19  | 114 | 98  |
| 65  | 210  | 185 | 145 | 119 | 19   | 3 | 4-19  | 129 | 112 |
| 80  | 251  | 200 | 160 | 134 | 19   | 3 | 8-19  | 142 | 125 |
| 100 | 292  | 220 | 180 | 156 | 19   | 3 | 8-19  | 165 | 160 |
| 125 | 334  | 250 | 210 | 184 | 19   | 3 | 8-19  | 173 | 185 |
| 150 | 378  | 285 | 240 | 211 | 19   | 3 | 8-23  | 165 | 235 |
| 200 | 475  | 340 | 295 | 266 | 20   | 3 | 12-23 | 215 | 295 |
| 250 | 511  | 405 | 355 | 319 | 22   | 3 | 12-28 | 325 | 340 |
| 300 | 667  | 460 | 410 | 370 | 24   | 3 | 12-28 | 283 | 423 |
| 350 | 769  | 520 | 470 | 430 | 26,5 | 4 | 16-28 | 345 | 585 |
| 400 | 842  | 580 | 525 | 482 | 28   | 4 | 16-31 | 390 | 590 |
| 450 | 890  | 640 | 585 | 540 | 30   | 4 | 20-31 | 402 | 628 |
| 500 | 900  | 715 | 650 | 611 | 31,5 | 4 | 20-34 | 441 | 696 |
| 600 | 1000 | 840 | 770 | 710 | 36   | 5 | 20-37 | 523 | 834 |



All the components can be substituted with equivalent or higher-class materials.

DAVINCI VALVES LTD, is constantly looking at all ways of improving our products and services related to the water, fire and industry sector and therefore we reserve the right to change, without prior notice, any of the data contained here. Please contact our Technical Sales Department for detailed advice.  
© 2018 DAVINCI VALVES LTD.

www.davincivalves.com info@davincivalves.com +34 616553797 / +86 17340168233  
18 Dongyu Street, Square One 11th Floor 1101. Jinjiang District, Chengdu, Sichuan Province, China

*"For professionals who wants more"*



DAVINCI  
VALVES™