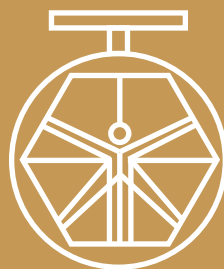


**GROUP 200
GATE VALVES
MOD. 200D/09**



**DAVINCI
VALVES™**

TECHNICAL DATA SHEET

WATER Series

**RESILIENT SEAT GATE VALVES
NON RISING STEM FLANGED END**

**DAVINCI
VALVES™**



**QUALITY
ASSUREMENT**

**DAVINCI
VALVES™**



**PRODUCT QT
ASSUREMENT**

**DAVINCI
VALVES™**



**COMPANY QT
ASSUREMENT**

www.davincivalves.com

18 Dongyu Street, Square One,
11th Floor 1101, Jinjiang District,
Chengdu, Sichuan CHINA

10F/Tower A, Billion Center,
1 Wang Kwong Road, Kowloon Bay
Kowloon HONG KONG

RESILIENT SEAT GATE VALVE NON-RISING STEM F4/F5 Ref.200D / PN 10-16

APPLICATION:

Potable water distribution and pumping,
sewage, irrigation, others



STANDARDS:

Design: DIN 3352
 Manufacture according to: EN 1074-2./GB/T12232-1989
 Face to Face: EN 558-1 Serie 14/15 (F4/F5)
 Mounting between flanges: PN10/16 EN 1092-2, ISO 7005-2.
 Pressure Test: EN 12266-1 Rate A. GB/T13927-1992
 Body: 24 bars. Seat: 17,6 bars.
 EU directive 2014/68/EU: Products excluded, article 1, § 2b up
 to ND300. Risk Category I MoD. A from ND350 to ND600



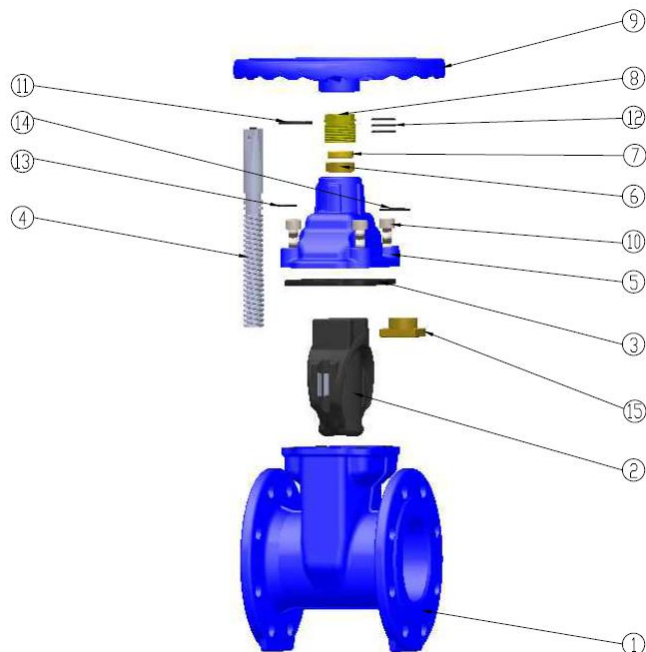
GENERAL CHARACTERISTICS:

Range from ND40 up to ND1200.
 Full bore. 100% Tightness in both ways.
 Minimum head loss.
 Repackable under pipeline pressure.
 Low torque values.
 Wras Epoxy paint 250 microns:

WORKING CONDITIONS:

Pressure Ratings: 1.0Mpa; 1.6Mpa;
 Working Temperature: -10C +80C
 Suitable Media: Water

Nº	ITEM	MATERIAL	STANDARD
1	Body	GJS500	DIN 1693
2	Disc	EPDM+GJS500	DIN 1693
3	Bonnet Gasket	NBR	ISO 4633
4	Stem	SS420	ASTM A959
5	Bonnet	GJS500	DIN 1693
6	Thrust Washer	CuZn39Pb1	EN 12167
7	Thrust	CuZn39Pb1	EN 12167
8	Thrust Nut	CuZn39Pb1	EN 12167
9	Hand whell	GJS500	ASTM A959
10	Bonnet bolts	CS8.8/A2-70	ASTM A959
11	O Ring	NBR	ISO 4633
12	O Ring	NBR	ISO 4633
13	O Ring	NBR	ISO 4633
14	O Ring	NBR	ISO 4633
15	Stem Nut	CuZn39Pb1	ISO 4633



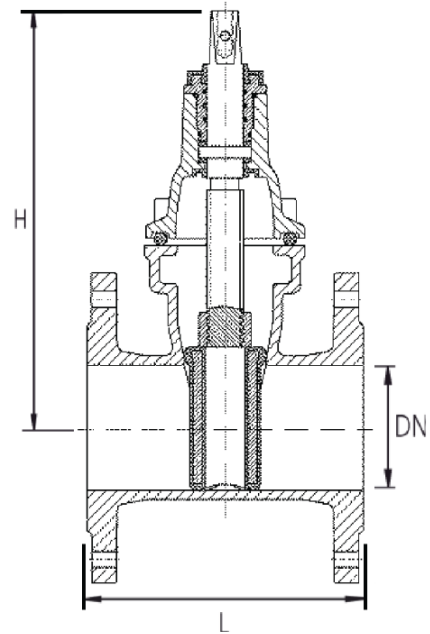
All the components can be substituted with equivalent or higher-class materials.

DAVINCI VALVES LTD, is constantly looking at all ways of improving our products and services related to the water, fire and industry sector and therefore we reserve the right to change, without prior notice, any of the data contained here. Please contact our Technical Sales Department for detailed advice.

© 2018 DAVINCI VALVES LTD.
 www.davincivalves.com info@davincivalves.com +34 616553797 / +86 17340168233
 18 Dongyu Street, Square One 11th Floor 1101. Jinjiang District, Chengdu, Sichuan Province, China

RESILIENT SEAT GATE VALVE NON-RISING STEM F4/F5 Ref.200D / PN 10-16

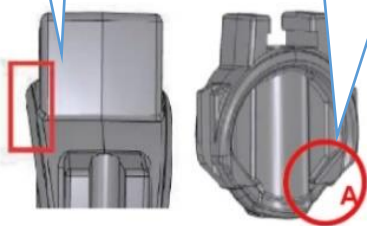
ND	L F4	L F5	H	Torque (N.m)	Weight KG
40	140	240	215	40	8,5
50	150	250	215	40	9
65	170	270	250	50	12
80	180	280	275	60	14
100	190	300	320	80	19
125	200	325	355	100	24
150	210	350	398	120	30
200	230	400	495	150	48
250	250	450	590	200	73
300	270	500	670	250	100
350	290	550	760	300	160
400	310	600	855	350	223
450	330	650	930	400	310
500	350	700	1055	450	327
600	390	800	1050	550	543
700	430	900	1336	700	850
800	470	1000	1480	900	1170
900	510	1100	1745	1000	1580
1000	550	1200	1987	1100	3040



Liner Sealing face get better sealing & lower closing torque

Position A; Most of factories design is the same level to the sealing face. While when the valve closed, the increasing inlet pressure will push the disc out and press to the valve body, which will cut the disc rubber of position "A" for long term use. Our design aware this defect and innovate the current design to avoid such damage, thus enlarge the disc service life

O Rings can change under pressure



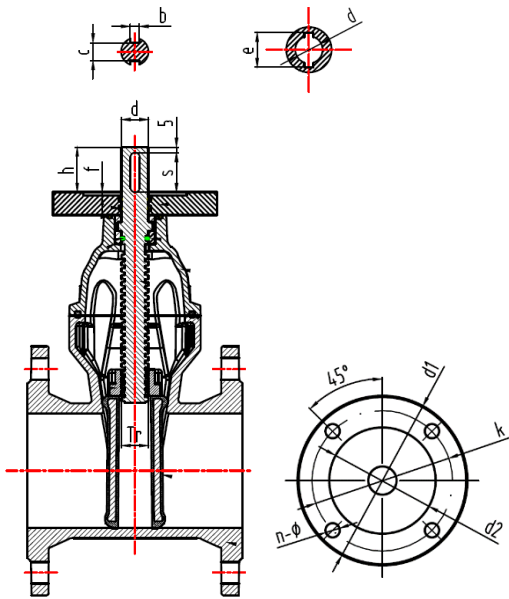
All the components can be substituted with equivalent or higher-class materials.

DAVINCI VALVES LTD, is constantly looking at all ways of improving our products and services related to the water, fire and industry sector and therefore we reserve the right to change, without prior notice, any of the data contained here. Please contact our Technical Sales Department for detailed advice.

© 2018 DAVINCI VALVES LTD.
www.davincivalves.com info@davincivalves.com +34 616553797 / +86 17340168233
18 Dongyu Street, Square One 11th Floor 1101. Jinjiang District, Chengdu, Sichuan Province, China

RESILIENT SEAT GATE VALVE NON-RISING STEM F4/F5 Ref.200D / PN 10-16

ISO FLANGE OPTION TO INSTALL ACTUATORS



ND	d1	k	n-ø	d2	f	d-ø	h	s	b	c	e	H	ISO type	Nº Turns	Torque
40	125	102	4-12	71	3	18	40	35	6	14,5	20,8	160	F10	9	40
50	125	102	4-12	71	3	18	40	35	6	14,5	20,8	160	F10	9	40
65	125	102	4-12	71	3	21	40	35	6	17,5	23,8	190	F10	10	50
80	125	102	4-12	71	3	21	40	35	6	17,5	23,8	210	F10	12	60
100	125	102	4-12	71	3	24	40	35	8	20	27,3	250	F10	12	80
125	150	125	4-14	86	3	26	50	45	8	22	29,3	290	F12	14,5	100
150	150	125	4-14	86	3	26	50	45	8	22	29,3	330	F12	17	120
200	150	125	4-14	86	3	32	50	45	10	27	35,3	420	F12	18,5	150
250	175	140	4-18	101	4	34	55	50	10	29	37,3	515	F14	23	200
300	175	140	4-18	101	4	34	55	50	10	29	37,3	595	F14	27	250
350	175	140	4-18	101	4	34	55	50	10	29	37,3	700	F14	30,5	300
400	210	165	4-22	131	6	36	70	65	10	31	39,3	785	F16	34,5	350
450	210	165	4-22	131	6	36	70	65	10	31	39,3	900	F16	28	400
500	210	165	4-22	131	6	36	70	65	10	31	39,3	950	F16	32,5	450
600	210	165	4-22	131	6	36	70	65	10	31	39,3	1050	F16	34,5	550
700	300	254	8-18	201	6	55	90	85	16	49	59,3	1336	F25	39	700
800	350	298	8-22	231	6	65	90	85	18	58	69,4	1480	F30	45	900
900	350	298	8-22	231	6	65	90	85	18	58	69,4	1480	F30	57,3	1000
1000	350	298	8-22	231	6	65	90	85	18	58	69,4	1480	F30	63,5	1100

All the components can be substituted with equivalent or higher-class materials.

DAVINCI VALVES LTD, is constantly looking at all ways of improving our products and services related to the water, fire and industry sector and therefore we reserve the right to change, without prior notice, any of the data contained here. Please contact our Technical Sales Department for detailed advice.

© 2018 DAVINCI VALVES LTD.

www.davincivalves.com info@davincivalves.com +34 616553797 / +86 17340168233
18 Dongyu Street, Square One 11th Floor 1101. Jinjiang District, Chengdu, Sichuan Province, China

RESILIENT SEAT GATE VALVE NON-RISING STEM F4/F5 Ref.200D / PN 10-16

ALL TYPE GEAR BOX AVAILABLE

We provide customize solutions according customer needs

- ✚ Vertical Gear box to Operate with Key or Spindle extension
- ✚ Horizontal Output For Actuators
- ✚ With 1 phase or 2 Phase for different reductions

Vertical Gear box 1
Phase



Horizontal Gear box
1 Phase



Horizontal Gear box
2 Phase



Vertical Gear box 2
Phase



All the components can be substituted with equivalent or higher-class materials.

DAVINCI VALVES LTD, is constantly looking at all ways of improving our products and services related to the water, fire and industry sector and therefore we reserve the right to change, without prior notice, any of the data contained here. Please contact our Technical Sales Department for detailed advice.

© 2018 DAVINCI VALVES LTD.
www.davincivalves.com info@davincivalves.com +34 616553797 / +86 17340168233
18 Dongyu Street, Square One 11th Floor 1101. Jinjiang District, Chengdu, Sichuan Province, China

"For professionals who wants more"



DAVINCI
VALVES™