

## AIR RELIEF VALVE TRIPLE FUCTION PN10/16

ref.501A / PN 10-16

### APPLICATION:

Potable water distribution and pumping,  
irrigation

### STANDARDS:

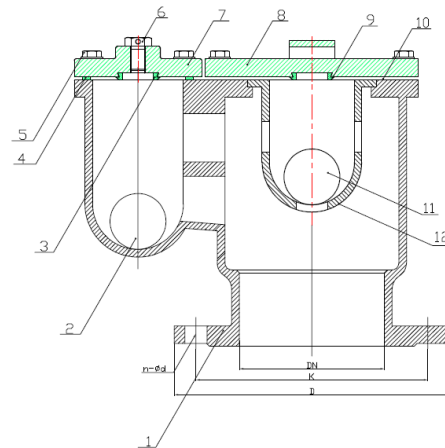
Hydrostatic test according to EN 12266-1, class A.  
EC directive  
Construction according to EN 1074-4 and AWWA C512  
Flanged according to ISO 7005-2

### WORKING CONDITIONS:

Pressure Ratings: 1.0Mpa; 1.6Mpa  
Working Temperature: -10C +100C  
Suitable Media: Water  
End connection: PN 10/ PN 16  
Consult Factory for other applications

### GENERAL CHARACTERISTICS:

Range from ND50 up to ND300  
WRAS certificate for Drinking Water (Rubber and paint)  
Epoxy paint cured 250 microns



Nº	ITEM	QTY	MATERIAL
1	Body	1	Stainless Steel
2	Ball	1	ABS
3	Seal Ring	1	EPDM
4	Gasket	1	EPDM
5	Screw	10	Ductile Iron
6	Orifice Cover	1	Ductile Iron
7	Right bonnet	1	Carbon Steel
8	Left bonnet	1	Carbon Steel
9	Seal Ring	1	EPDM
10	Gasket	1	EPDM
11	Ball	1	ABS
12	Inner Body	1	Ductile Iron

### DIMENSIONS

DN	H	A	B	D	Weight KG
50	285	311	175	165	16.5
65	285	311	175	185	17.0
80	285	311	175	200	17.5
100	420	415	280	235	32.0
150	420	415	280	300	34.0
200	420	415	280	360	38.0

*All the components can be substituted with equivalent or higher-class materials.*

DAVINCI VALVES LTD, is constantly looking at all ways of improving our products and services related to the water, fire and industry sector and therefore we reserve the right to change, without prior notice, any of the data contained here. Please contact our Technical Sales Department for detailed advice.  
© 2018 DAVINCI VALVES LTD.

www.davincivalves.com info@davincivalves.com +34 616553797 / +86 17340168233  
18 Dongyu Street, Square One 11th Floor 1101. Jinjiang District, Chengdu, Sichuan Province, China