

**GROUP 500  
AUTOMATIC  
CONTROL  
VALVES MOD.  
500B/30**



**DAVINCI  
VALVES™**

**TECHNICAL  
DATA SHEET  
WATER Series**

**AIR RELIEF VALVES  
FLANGED END TRIPLE FUNCTION**

**DAVINCI  
VALVES™**



**QUALITY  
ASSUREMENT**

**DAVINCI  
VALVES™**



**PRODUCT QT  
ASSUREMENT**

**DAVINCI  
VALVES™**



**COMPANY QT  
ASSUREMENT**

[www.davincivalves.com](http://www.davincivalves.com)

18 Dongyu Street, Square One,  
11th Floor 1101, Jinjiang District,  
Chengdu, Sichuan CHINA

10F/Tower A, Billion Center,  
1 Wang Kwong Road, Kowloon Bay  
Kowloon HONG KONG

## AIR RELIEF VALVE TRIPLE FUCTION PN10/16/25 ref.500A / PN 10-16-ANSI150#



### STANDARDS:

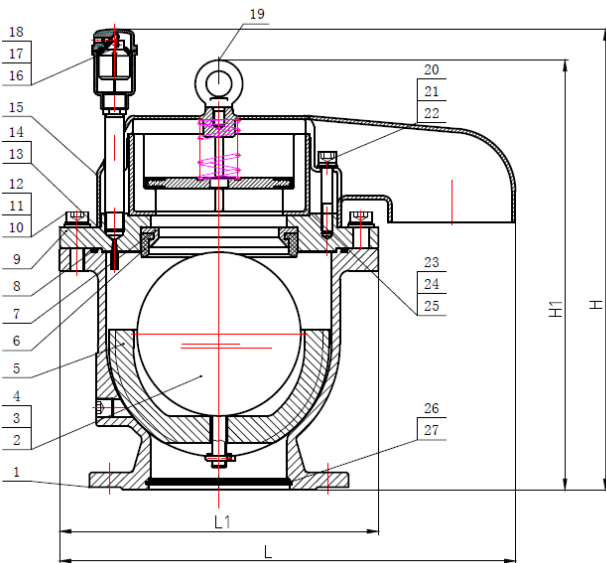
Hydrostatic test according to EN 12266-1, class A.  
EC directive  
Construction according to EN 1074-4 and AWWA C512  
Flange according to ISO 7005-2

### WORKING CONDITIONS (EPDM):

Maximum Working Pressure: 16 bar.  
Maximum Working Temperature: -10 °C / +90 °C.

### APPLICATION:

Water distribution pipelines.  
Disposal of large volumes of air during fill of the pipes of system.  
Add great amount of air to the system during the purge of the pipes.  
Release of pressurized air pockets during operation.



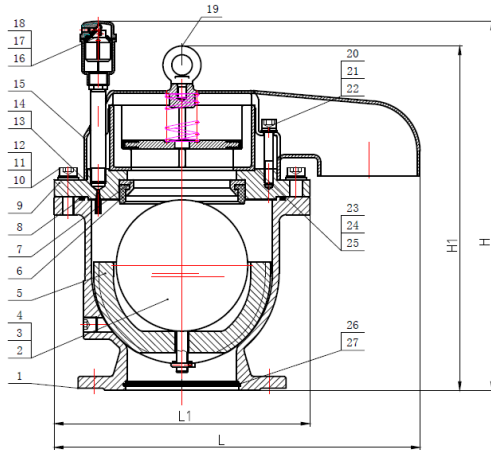
N°	PIECE	MATERIAL
1	BODY	QT450 (GJS450)
2	FLOAT BALL	SS304
3	WASHER	SS304
4	SPLIT PIN	SS304
5	FLOATING BUCKET	PP
6	SEALING RING	NBR
7	STOP SLEEVE	H62
8	O-RING	NBR
9	COVER	QT450 (GJS450)
10	SCREW	A2
11	SPRING WASHER	1Cr18Ni9Ti
12	WASHER	A2
13	SMALL CONNECTOR TUBE	SS304
14	O-RING	NBR
15	UPPER COVER	QT450 (GJS450)
16	FILL CORE	SS304
17	SMALL EXHAUST VALVE	SS304
18	CONNECTOR TUBE	SS304
19	EYEBOLT	20
20	SCREW	A2
21	SPRING WASHER	1Cr18Ni9Ti
22	SCREW	A2
23	SUPPORT FRAME	QT450
24	NOISE REDUCING PLATE	NBR
25	NOISE REDUCING SPRING	SS304
26	FILTER NET	SS304
27	CIRCLIP FOR HOLE	SS304
28	INTERNAL SIX PARTY PLUG	SS304
29	GUIDE ROD	SS304
30	NUT	A4-70

All the components can be substituted with equivalent or higher-class materials.

DAVINCI VALVES LTD, is constantly looking at all ways of improving our products and services related to the water, fire and industry sector and therefore we reserve the right to change, without prior notice, any of the data contained here. Please contact our Technical Sales Department for detailed advice.

© 2018 DAVINCI VALVES LTD.  
www.davincivalves.com info@davincivalves.com +34 616553797 / +86 17340168233  
18 Dongyu Street, Square One 11th Floor 1101. Jinjiang District, Chengdu, Sichuan Province, China

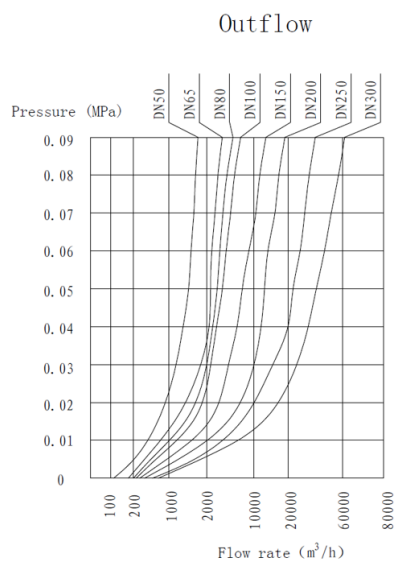
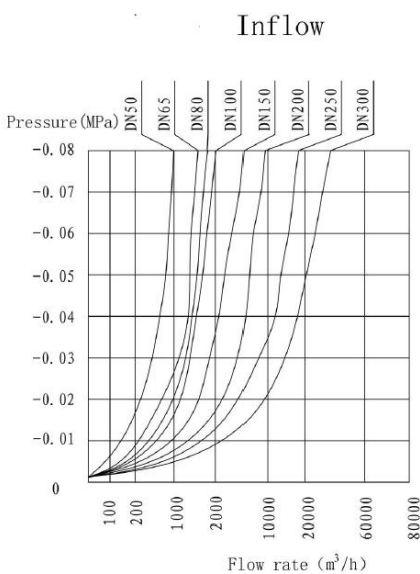
## AIR RELIEF VALVE TRIPLE FUCTION PN10/16/25 ref.500A / PN 10-16-ANSI150#



### SPECIAL ADVANTAGED

- 100% -full flow area thru the valve internal.
- The float can resist high pressure from 51-70Bar for different size air valve.
- Blow shut pressure can come up to 2.0Bar. Generally up to 0.5Bar is enough for operation.
- Single body preventing breakage of dual bodies connection.
- All internal parts are 304SS material without rusting.
- Full flow area- enough for air exhausting
- Min. closing pressure can be 0.3Bar, and 0.2Bar can be provided upon request.

SIZE /DN	L	L1	H	H1
50	289	220	324	297
65	289	220	324	297
80	399	248	381	351
100	405	290	436	408
150	401	350	506	472
200	581	400	576	542
300	731	500	740	704

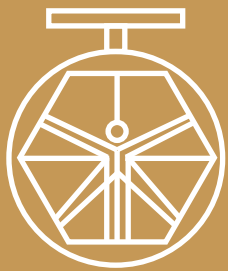


All the components can be substituted with equivalent or higher-class materials.

DAVINCI VALVES LTD, is constantly looking at all ways of improving our products and services related to the water, fire and industry sector and therefore we reserve the right to change, without prior notice, any of the data contained here. Please contact our Technical Sales Department for detailed advice.  
© 2018 DAVINCI VALVES LTD.

www.davincivalves.com info@davincivalves.com +34 616553797 / +86 17340168233  
18 Dongyu Street, Square One 11th Floor 1101. Jinjiang District, Chengdu, Sichuan Province, China

*"For professionals who wants more"*



DAVINCI  
VALVES™

[www.davincivalves.com](http://www.davincivalves.com)