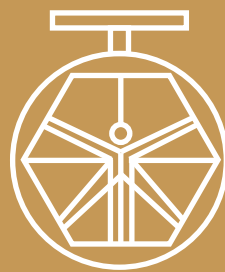


**GROUP 100
BUTTERFLY
VALVES
MOD.100B/01**



**DAVINCI
VALVES™**

TECHNICAL DATA SHEET

WATER Series

**BUTTERFLY VALVES WAFER TYPE
CENTER STEM**

**DAVINCI
VALVES™**



**QUALITY
ASSUREMENT**

**DAVINCI
VALVES™**



**PRODUCT QT
ASSUREMENT**

**DAVINCI
VALVES™**



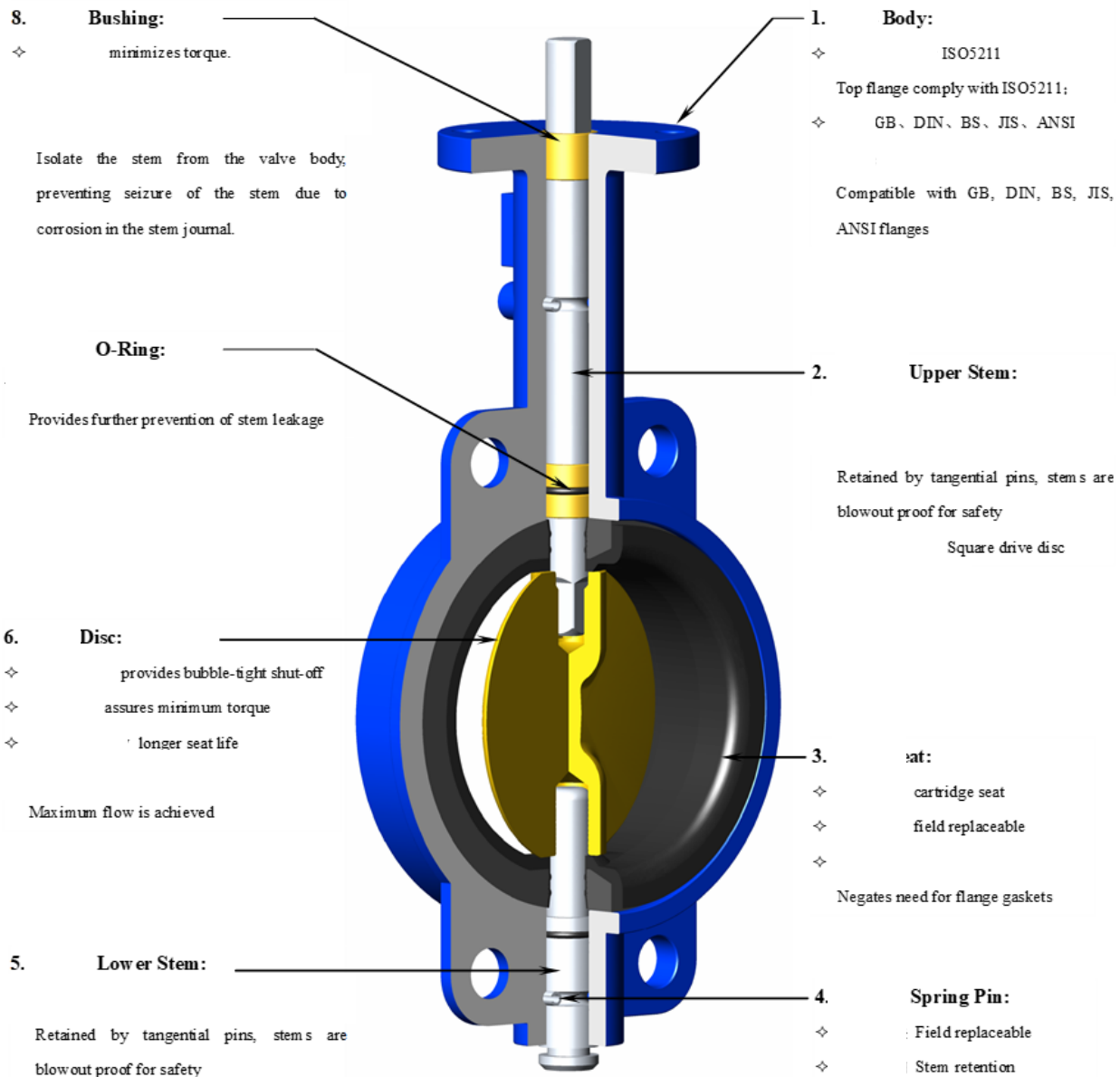
**COMPANY QT
ASSUREMENT**

www.davincivalves.com

18 Dongyu Street, Square One,
11th Floor 1101, Jinjiang District,
Chengdu, Sichuan CHINA

10F/Tower A, Billion Center,
1 Wang Kwong Road, Kowloon Bay
Kowloon HONG KONG

Series F201 butterfly valves designed to comply with MSS SP-67, BS5155 and API 609. Compatible with GB, ANSI, DIN, BS, JIS flanges. Available in size 1" to 24". Available in wafer type, lug type body. Available with handles (1" to 12"), manual gear operators (1" to 24"), and electric or pneumatic actuators (1" to 24"). With many body/trim combinations, there is a series F201 butterfly valve to meet your application.

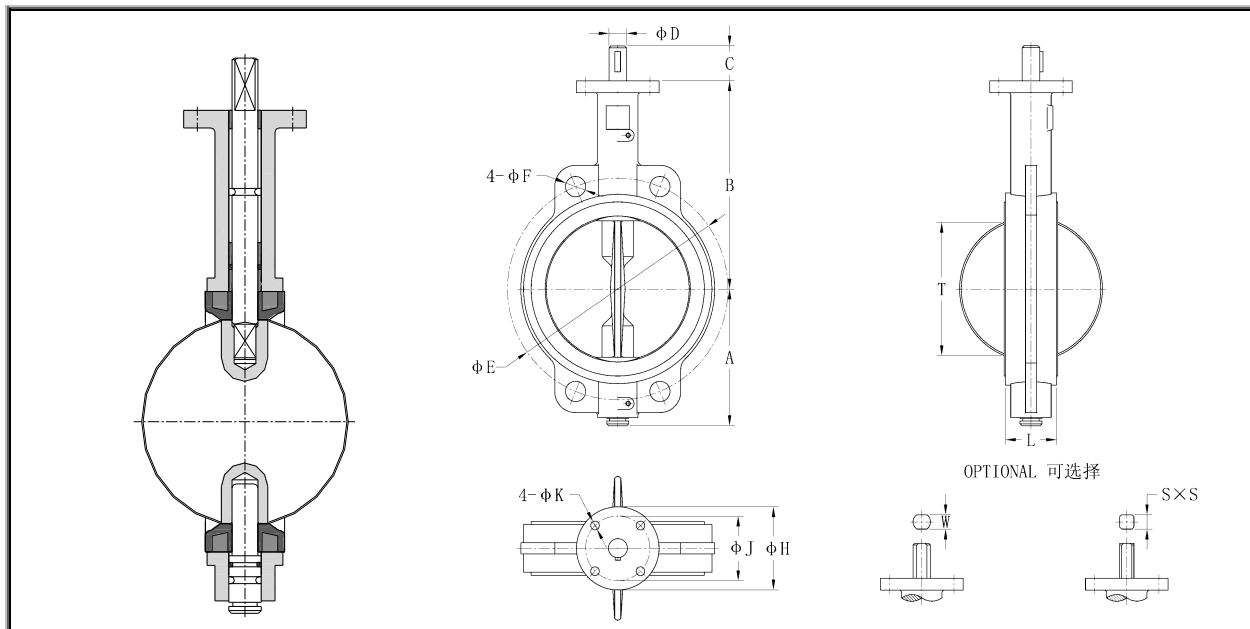


All the components can be substituted with equivalent or higher-class materials.

DAVINCI VALVES LTD, is constantly looking at all ways of improving our products and services related to the water, fire and industry sector and therefore we reserve the right to change, without prior notice, any of the data contained here. Please contact our Technical Sales Department for detailed advice.

© 2018 DAVINCI VALVES LTD.
www.davincivalves.com info@davincivalves.com +34 616553797 / +86 17340168233
 18 Dongyu Street, Square One 11th Floor 1101. Jinjiang District, Chengdu, Sichuan Province, China

Wafer Type Butterfly Valve



Dimensions List (mm)

规格 Size		A	B	C	D	E				F				H	J	K	L	T	S	W
mm	inch					ANSI 125/150	PN10	PN16	10K	ANSI 125/150	PN10	PN16	10K							
25	1	61	110	32	12.7	79.4	85	85	90	16	14	14	19	65	50	7	30	16	9	10
32	1¼	61	110	32	12.7	88.9	100	100	100	16	18	18	19	65	50	7	30	16	9	10
40	1½	79	145	32	12.7	98.4	110	110	105	16	18	18	19	65	50	7	33	27	9	10
50	2	85	162	32	12.7	120.7	125	125	120	19	18	18	19	65	50	7	42	32	9	10
65	2½	98	174	32	12.7	139.7	145	145	140	19	18	18	19	65	50	7	45	47	9	10
80	3	104	181	32	12.7	152.4	160	160	150	19	18	18	19	65	50	7	45	65	9	10
100	4	123	200	32	15.9	190.5	180	180	175	19	18	18	19	90	70	9.5	52	90	11	12
125	5	136	213	32	19.1	215.9	210	210	210	22	18	18	23	90	70	9.5	54	111	14	14
150	6	148	225	32	19.1	241.3	240	240	240	22	22	22	23	90	70	9.5	56	145	14	14
200	8	186	260	38	22.2	298.5	295	295	290	22	22	22	23	125	102	11.5	60	193	17	17
250	10	212	292	38	28.6	362	350	355	355	25	22	26	25	125	102	11.5	66	241	22	22
300	12	251	337	38	31.8	431.8	400	410	400	25	22	26	25	125	102	11.5	77	292	22	24
350	14	277	368	45	31.8	476.3	460	470	445	29	22	26	25	125	102	11.5	77	325	22	24
400	16	308	400	51	33.3	539.8	515	525	510	29	26	30	27	210	165	22	86	380	27	27
450	18	342	422	51	38.1	577.9	565	585	565	32	26	30	27	210	165	22	105	428	27	27
500	20	374	479	64	41.3	635	620	650	620	32	26	33	27	210	165	22	130	474	27	32
600	24	459	562	70	50.8	749.3	725	770	730	35	30	36	33	210	165	22	152	575	36	36

Please contact manufacturer if you want more flange standards.

All the components can be substituted with equivalent or higher-class materials.

DAVINCI VALVES LTD, is constantly looking at all ways of improving our products and services related to the water, fire and industry sector and therefore we reserve the right to change, without prior notice, any of the data contained here. Please contact our Technical Sales Department for detailed advice.

© 2018 DAVINCI VALVES LTD.

www.davincivalves.com info@davincivalves.com +34 616553797 / +86 17340168233
18 Dongyu Street, Square One 11th Floor 1101. Jinjiang District, Chengdu, Sichuan Province, China

"For professionals who want more "



DAVINCI
VALVES™