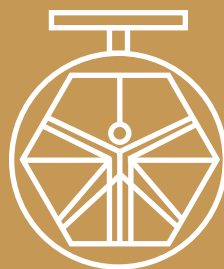


**GROUP 400  
CHECK VALVES  
MOD. 432/137**



**DAVINCI  
VALVES™**

**TECHNICAL  
DATA SHEET**  
**INDUSTRY Series**

**Y TYPE SPRING CHECK VALVE THREAD END**

**DAVINCI  
VALVES™**



**QUALITY  
ASSUREMENT**

**DAVINCI  
VALVES™**



**PRODUCT QT  
ASSUREMENT**

**DAVINCI  
VALVES™**



**COMPANY QT  
ASSUREMENT**

[www.davincivalves.com](http://www.davincivalves.com)

18 Dongyu Street, Square One,  
11th Floor 1101, Jinjiang District,  
Chengdu, Sichuan CHINA

10F/Tower A, Billion Center,  
1 Wang Kwong Road, Kowloon Bay  
Kowloon HONG KONG

## Y TYPE SPRING CHECK VALVE THREAD END

**Ref.432A.137**

### APPLICATION:

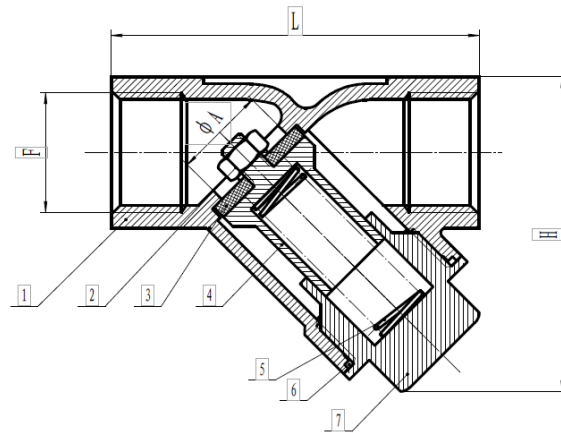
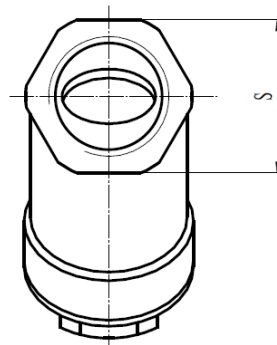
Suitable for use in Industry, heat /cooling systems and others.

### GENERAL CHARACTERISTICS:

Range from 1/4" up to 2"  
Installation in any position.  
High mechanical resistance  
Total tightness.  
Low cost installation and maintenance.

### WORKING CONDITIONS:

Maximum Working Pressure: 1000psi /PN64.  
Max.Working Temperature : -20 °C / +190 °C  
Suitable Media: Water, Oil, Gas, others.  
Consult Factory for other applications



### STANDARDS:

ASME B1.20.1 (NPT) / DIN 2999 & BS 21  
100% sealing according to: ISO 5208 Rate A.  
Manufacture acc. to the requirements of the EU  
directive 2014/68/EU Equipment under pressure:  
Cat. III mod. H  
Inspection Testing API598 EN12266

ITEM	PART	MATERIAL
1	BODY	CF8M
2	NUT	CF8
3	DISC SEAT	PTFE
4	DISC	CF8M
5	SPRING	SS04
6	GASKET	PTFE
7	BONNET	CF8M

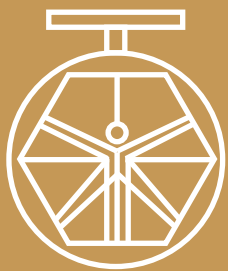
SIZE	A	H	L	S
1/4"	15	58	65	26
3/8"	15	58	65	26
1/2"	15	58	65	26
3/4"	20	68	79	33
1"	25	88	89	41
1.1/4"	32	100	105	59
1.1/2"	40	108	120	56
2"	50	130	140	69

All the components can be substituted with equivalent or higher-class materials.

DAVINCI VALVES LTD, is constantly looking at all ways of improving our products and services related to the water, fire and industry sector and therefore we reserve the right to change, without prior notice, any of the data contained here. Please contact our Technical Sales Department for detailed advice.

© 2018 DAVINCI VALVES LTD.  
www.davincivalves.com info@davincivalves.com +34 616553797 / +86 17340168233

*"For professionals who wants more"*



DAVINCI  
VALVES™