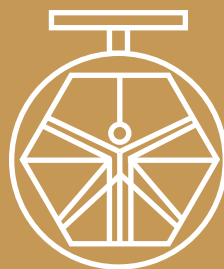


**GRUPO 200
COMPLEMENTO
MOD. 240/86**



**DAVINCI
VALVES™**

FICHA TECNICA

FIRE Series

HIDRANTE UL/FM

**DAVINCI
VALVES™**



**QUALITY
ASSUREMENT**

**DAVINCI
VALVES™**



**PRODUCT QT
ASSUREMENT**

**DAVINCI
VALVES™**



**COMPANY QT
ASSUREMENT**

www.davincivalves.com

18 Dongyu Street, Square One,
11th Floor 1101, Jinjiang District,
Chengdu, Sichuan CHINA

10F/Tower A, Billion Center,
1 Wang Kwong Road, Kowloon Bay
Kowloon HONG KONG

DRY BARREL HYDRANT POST UL/FM FIRE SYSTEMS

Ref.241B

Dry barrel design eliminates damage to the hydrant caused by freezing or corrosion of the upper part.

Simple rugged construction and easy to maintain.
Automatic drain system drains the water in the upper part when the main valve is closed thus avoiding damage caused by freezing.
Externally sand blasted for smooth finish, painted red with electrostatic powder coating on the section above the ground and double coating of black bituminous paint on the section below ground, all paint thickness $\geq 300\mu\text{m}$.
Optional: Barrel length extension kit in different lengths is available on request.
Hydrants for non-potable water systems.
Flange according to customer requirements.
Stem, steel or stainless steel for extra corrosion resistance.



Model	Standard	Working Pressure
FT16-082S-00	BS EN14384	16 Bar
FT16-083S-00		

Inlet	Outlet	Dimensions			Shell Materials
		A	B	C	
DN 100 with flange	Two 2.5" BSP and one 4" BSP	207	395	800/1200/1450	Ductile Iron
DN 150 with flange	add coupling or valves	195	455	800/1200/1450	

MOT	MST	Kv Value	Closing direction	Opening turns	Time for darining	Retained water
$\leq 125\text{NM}$	$\geq 250\text{NM}$	104.87(2.5" outlet)	Clockwise	16	$\leq 10\text{min}$	$\leq 150\text{ml}$
$\leq 125\text{NM}$	$\geq 250\text{NM}$	184.29(4" outlet)	Clockwise	15	$\leq 10\text{min}$	$\leq 200\text{ml}$

TECHNICAL DATA SHEET

All the components can be substituted with equivalent or higher-class materials.

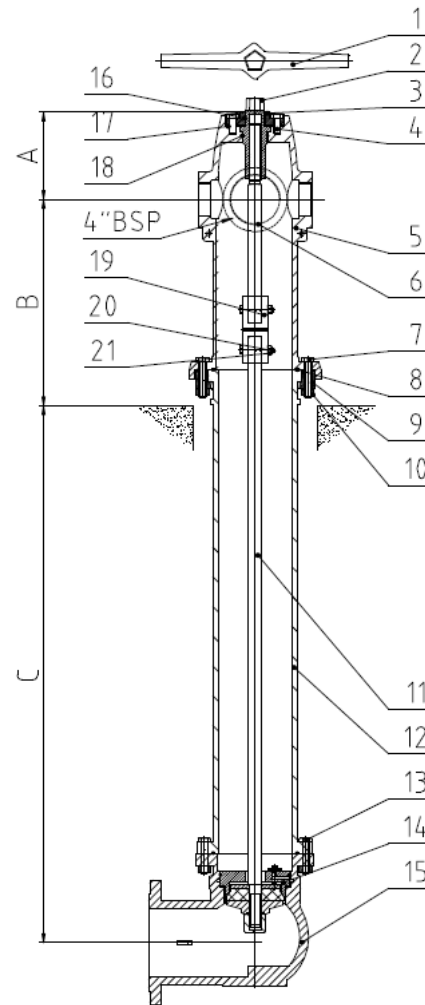
DAVINCI VALVES LTD, is constantly looking at all ways of improving our products and services related to the water, fire and industry sector and therefore we reserve the right to change, without prior notice, any of the data contained here. Please contact our Technical Sales Department for detailed advice.
© 2018 DAVINCI VALVES LTD.

www.davincivalves.com info@davincivalves.com +34 616553797 / +86 17340168233
18 Dongyu Street, Square One 11th Floor 1101. Jinjiang District, Chengdu, Sichuan Province, China

DRY BARREL HYDRANT POST UL/FM FIRE SYSTEMS

Ref.241B

NO.	ITEM
1	OPERATING HANDLE
2	OPERATING NUT
3	COVER
4	COVER BOLT
5	UPPER BARREL
6	UPPER STEM
7	CLAW BOLTS
8	O-RING
9	CLAW
10	NUT
11	LOWER STEM ASSEMBLY
12	LOWER BARREL
13	BOTTOM BOLTS
14	AUTOMATIC DRAIN ASSEMBLY
15	90°BEND
16	O-RING
17	COVER SHEET
18	O-RING
19	STEM COUPLING
20	STEM COUPLING BOLT
21	STEM COUPLING NUT



TECHNICAL DATA SHEET

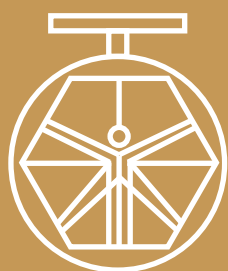


All the components can be substituted with equivalent or higher-class materials.

DAVINCI VALVES LTD, is constantly looking at all ways of improving our products and services related to the water, fire and industry sector and therefore we reserve the right to change, without prior notice, any of the data contained here. Please contact our Technical Sales Department for detailed advice.
© 2018 DAVINCI VALVES LTD.

www.davincivalves.com info@davincivalves.com +34 616553797 / +86 17340168233
18 Dongyu Street, Square One 11th Floor 1101. Jinjiang District, Chengdu, Sichuan Province, China

"For professionals who want more "



DAVINCI
VALVES™