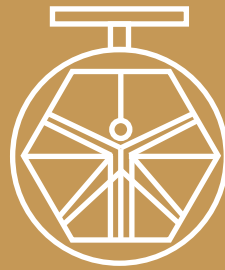


**GROUP 300
COMPLEMENTS
MOD. 310/68**



**DAVINCI
VALVES™**

**TECHNICAL
DATA SHEET
WATER Series**

**METALIC BELLOWS
WELDING ENDS**

**DAVINCI
VALVES™**



**QUALITY
ASSUREMENT**

**DAVINCI
VALVES™**



**PRODUCT QT
ASSUREMENT**

**DAVINCI
VALVES™**



**COMPANY QT
ASSUREMENT**

www.davincivalves.com

18 Dongyu Street, Square One,
11th Floor 1101, Jinjiang District,
Chengdu, Sichuan CHINA

10F/Tower A, Billion Center,
1 Wang Kwong Road, Kowloon Bay
Kowloon HONG KONG

METALIC BELLOWS WELDING END Ref.310A / PN 10-16

APPLICATION:

Heating, air conditioning, cooling overheated water, fire protection systems, steam, etc.

STANDARDS:

Design according to: EJMA 7th 2000.

Pressure Test: EN 12266-1, PED 97/23/EC:

Body: 24 bars.

Manufacture acc. to the requirements of the EU directive 2014/68/EU Equipment's under pressure: Cat. III mod. H.

WORKING CONDITIONS:

Maximum Working Pressure: 16 bar.

Breaking Pressure: 32 bar.

Working Temperature: - 90 °C - + 400 °C.

directive 2014/68/EU Equipment's under pressure: Cat.



GENERAL CHARACTERISTICS:

Designed to absorb axial dilatation movements, vibrations and slight misalignments in fluid conduction pipelines. Range from ND32 up to ND600.

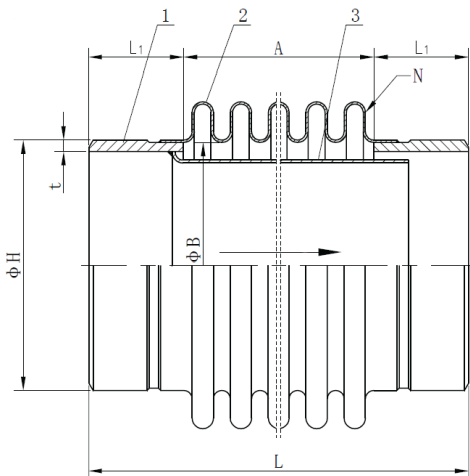
Low load loss.

To work at high temperatures.

Reduced installation and maintenance cost.

Inner sleeve prevents deformations of the bellows.

No	PART	MATERIAL
1	WELD ENDS	STEEL Q235 / AISI304
2	BELLOW	AISI304
3	INNER LINER	AISI304



ND	L	A	ΦHxL ₁	B	N	Axial Movement	
						Elong.	Comp.
20	250	120	27x2.5x65	25	24	+5	-25
25	250	120	34x3.0x65	32	21	+5	-25
32	350	180	42x3.0x85	40	30	+10	-30
40	350	180	48x3.0x85	50	25	+10	-30
50	350	180	60x3.5x85	60	20	+10	-35
65	350	180	76x3.5x85	76	17	+10	-35
80	350	180	89x4.0x85	89	17	+10	-40
100	350	180	114x4.0x85	114	11	+10	-40
125	350	180	140x4.0x85	140	11	+10	-40
150	350	180	168x5.0x85	168	11	+10	-40
200	350	180	219x6.0x85	219	8	+10	-40

°C	50	100	150	200	250	300	350	400
BAR	10	9	8,5	7,5	7	6,3	5	4

All the components can be substituted with equivalent or higher-class materials.

DAVINCI VALVES LTD, is constantly looking at all ways of improving our products and services related to the water, fire and industry sector and therefore we reserve the right to change, without prior notice, any of the data contained here. Please contact our Technical Sales Department for detailed advice.
© 2018 DAVINCI VALVES LTD.

www.davincivalves.com info@davincivalves.com +34 616553797 / +86 17340168233
18 Dongyu Street, Square One 11th Floor 1101. Jinjiang District, Chengdu, Sichuan Province, China

"For professionals who wants more"



DAVINCI
VALVES™