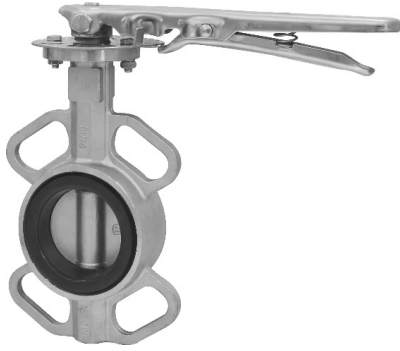


**GROUP 100
BUTTERFLY
VALVES
MOD. 100A/01**



**DAVINCI
VALVES™**

TECHNICAL DATA SHEET

WATER Series

**BUTTERFLY VALVES WAFER TYPE
Stainless Steel body**

**DAVINCI
VALVES™**



**QUALITY
ASSUREMENT**

**DAVINCI
VALVES™**



**PRODUCT QT
ASSUREMENT**

**DAVINCI
VALVES™**



**COMPANY QT
ASSUREMENT**

www.davincivalves.com

18 Dongyu Street, Square One,
11th Floor 1101, Jinjiang District,
Chengdu, Sichuan CHINA

10F/Tower A, Billion Center,
1 Wang Kwong Road, Kowloon Bay
Kowloon HONG KONG

WAFFER BUTTERFLY VALVE SERIE 20 PN10/16/ANSI150 ref.100A / PN 10-16-ANSI150#

WORKING CONDITIONS (EPDM):

Maximum Working Pressure: 16 bar.
Maximum Working Temperature: -10 °C / +120 °C.
Peak Temperature: -15 °C / 130 °C.

APPLICATION:

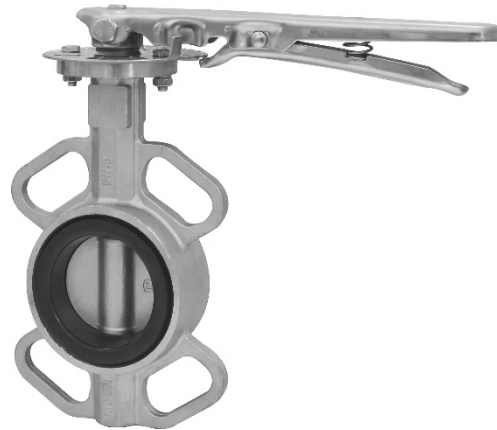
Water, HVAC installations, pressurized air, industry, etc.

GENERAL CHARACTERISTICS:

Concentric Disc Valves.
Range from ND40 up to ND1200.
Tightness in both ways.
Long neck for heat-insulated installations.
One-piece shaft. Avoid breakage due to water hammer.
Cartridge Seat for easy replacement.
Does not need joints for installation.
Top Flange according to ISO 5211.
10 position's lever.

STANDARDS:

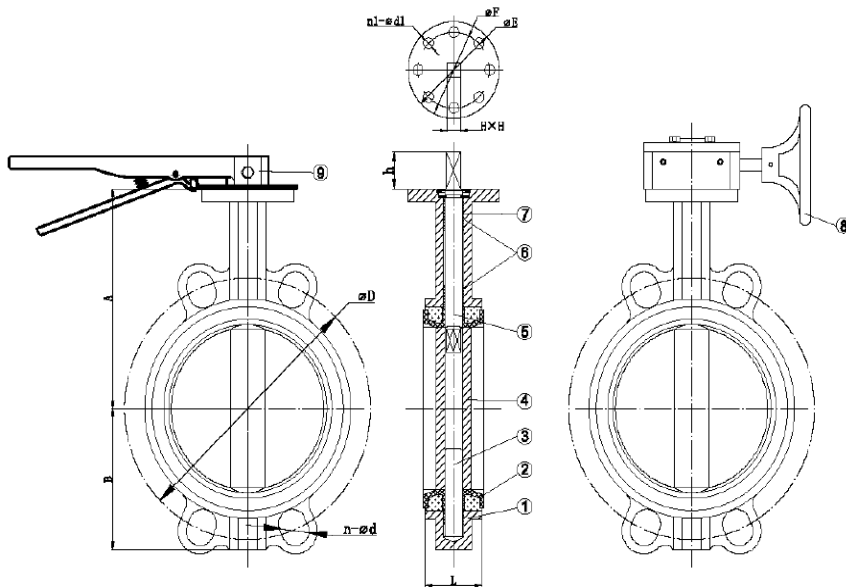
Design: BS EN 593.
Face to Face: EN 558-1 Serie 20, ISO 5272 Serie 20, DIN 3202.
Mounting between flanges: PN10 / PN16 EN 1092-2, BS450, ANSI B16.1-5
Pressure Test: EN 12266-1, DIN 3230, BS6755 y ISO 5208:
Body: 24 bars. Seat: 18 bars.
Manufacture acc. to the requirements of the EU directive 2014/68/EU
Equipment under pressure: mod. H.



All the components can be substituted with equivalent or higher-class materials.

WAFFER BUTTERFLY VALVE SERIE 20 PN10/16/ANSI150

ref.100A / PN 10-16-ANSI150#



No.	DESCRIPTION	MATERIAL
1	Body	SS304
2	Seat	EPDM
3	Bottom shaft	SS410
4	Disc	SS304
5	Upper shaft	SS410
6	Bushing	Polymer
7	O ring	EPDM
8	Worm gear	DI
9	Lever	DI

DN	L±2	A	B	h	H
50	42	128	64	25	9
65	45	135	85	25	9
80	45	144	95	25	9
100	50	163	101	28	11
125	53.5	189	117	28	14
150	56	203	130	28	14
200	59	243	168	35	17
250	65.5	268	202	40	22
300	76.5	313	239	40	22
350	76.5	339	248	40	22

	ISO 5211			ANSI 150			PN10		PN16		10K	
Top Flange	ØE	ØF	n1-Ød1	ØD	n-Ød	ØD	n-Ød	ØD	n-Ød	ØD	n-Ød	
F05	65	50	4-8	120.7	4-19	125	4-18	125	4-18	120	4-19	
F05	65	50	4-8	139.7	4-19	145	4-18	145	4-18	140	4-19	
F05	65	50	4-8	152.4	4-19	160	8-18	160	8-18	150	8-19	
F07	90	70	4-10	190.5	8-19	180	8-18	180	8-18	175	8-19	
F07	90	70	4-10	215.9	8-22	210	8-18	210	8-18	210	8-23	
F07	90	70	4-10	241.3	8-22	240	8-22	240	8-22	240	8-23	
F10	125	102	4-12	298.5	8-22	295	8-22	295	12-22	290	12-23	
F10	125	102	4-12	362	12-26	350	12-22	355	12-26	355	12-25	
F10	125	102	4-12	431.8	12-26	400	12-22	410	12-26	400	16-25	
F10	125	102	4-12	476.3	12-29	460	16-22	470	16-26	445	16-25	

All the components can be substituted with equivalent or higher-class materials.

"For professionals who want more "



DAVINCI
VALVES™