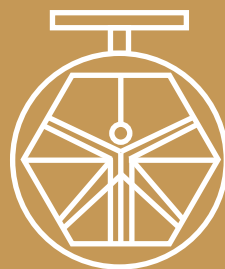


**GROUP 100
BALL VALVES
MOD. 741/42.2**



**DAVINCI
VALVES™**

**TECHNICAL
DATA SHEET**

INDUSTRY Series

**2 PIECE BALL VALVE SS316 1000WOG
THREAD END**

**DAVINCI
VALVES™**



**QUALITY
ASSUREMENT**

**DAVINCI
VALVES™**



**PRODUCT QT
ASSUREMENT**

**DAVINCI
VALVES™**



**COMPANY QT
ASSUREMENT**

www.davincivalves.com

18 Dongyu Street, Square One,
11th Floor 1101, Jinjiang District,
Chengdu, Sichuan CHINA

10F/Tower A, Billion Center,
1 Wang Kwong Road, Kowloon Bay
Kowloon HONG KONG

2 PIECE BALL VALVE SS316 1000WOG THREAD END

Ref.741A

APPLICATION:

Industry, Potable water distribution and pumping, sewage, irrigation

WORKING CONDITIONS:

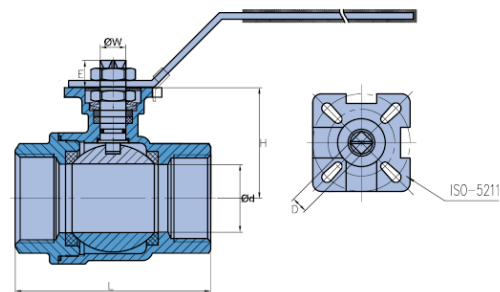
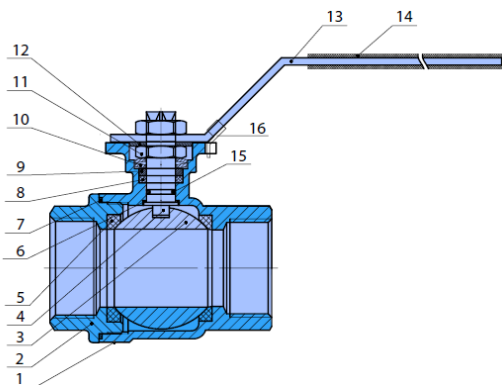
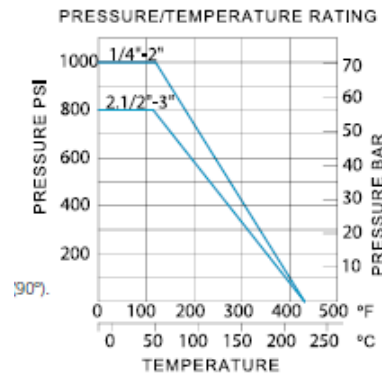
Pressure Ratings: 1000 PSI
Working Temperature: -30°C +250°C
Suitable Media: Water Oil Gas
End connection: Thread end GAS/NPT
Consult Factory for other applications

GENERAL CHARACTERISTICS:

Size Range: 1/4" ~4" Full bore.
100% Tightness in both ways.
Block device

STANDARDS:

Pressure Test: API 598, EN 12266
Body: 1000 psi /PN63 WOG
Casting Approved AD2000-WO
PED97/23/PE(CE0036) Approved
Thread: ASME B1.20.1
BS21.DIN2999/259, ISO228-1, JIS B 0203, ISO7/1



No.	PART	MATERIAL
1	Body	S.Steel CF8M
2	Cap	S.Steel CF8M
3	Ball	S.Steel CF8M
4	Stem	S.Steel 316
5	Seat	PTFE
6	Thrust Washer	PTFE
7	Body Seal	PTFE
8	Stem Packing	PTFE
9	Gland Ring	S.Steel 304
10	Spring Washer	S.Steel 304
11	Stem Nut	S.Steel 304
12	Against Pine Pad	S.Steel 304
13	Handle	S.Steel 304
14	Plastic Cover	Plastic
15	O-Ring	Viton
16	Locking Device	S.Steel 304

SIZE	D	L	H	D	E	W	Kgs
1/4"	11.6	48	36.5	9	9	12	0.325
3/8"	12.5	48	36.5	9	9	12	0.335
1/2"	15	58	37.8	9	9	12	0.385
3/4"	20	65	42.5	9	9	12	0.495
1"	25	77	45	11	11	14	0.77
1.1/4"	32	90	51.5	11	11	14	1.135
1.1/2"	38	98	59.5	14	14	18	1.71
2"	50	121	68.5	14	14	18	2.705
2.1/2"	64	145	98.5	17	16	22	5.37
3"	76	166	108	17	16	22	8.18

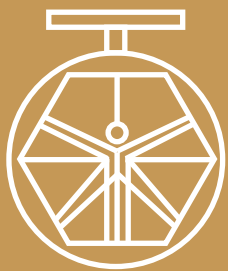
All the components can be substituted with equivalent or higher-class materials.

DAVINCI VALVES LTD, is constantly looking at all ways of improving our products and services related to the water, fire and industry sector and therefore we reserve the right to change, without prior notice, any of the data contained here. Please contact our Technical Sales Department for detailed advice.

© 2018 DAVINCI VALVES LTD.

www.davincivalves.com info@davincivalves.com +34 616553797 / +86 17340168233

"For professionals who wants more"



DAVINCI
VALVES™