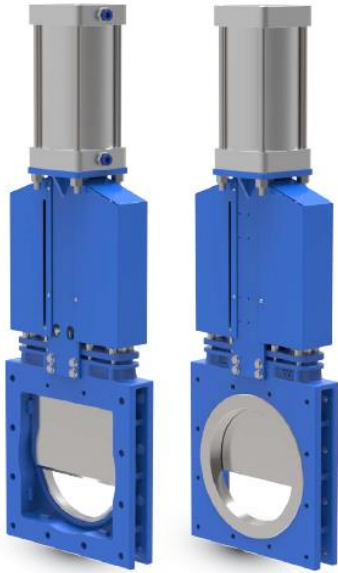


**GROUP 800  
KNIFE VALVES  
MOD.880A/111**



**DAVINCI  
VALVES™**

**TECHNICAL  
DATA SHEET**

**INDUSTRY Series**

**UNIDIRECTIONAL SEALING  
KNIFE VALVE**

**DAVINCI  
VALVES™**



**QUALITY  
ASSUREMENT**

**DAVINCI  
VALVES™**



**PRODUCT QT  
ASSUREMENT**

**DAVINCI  
VALVES™**



**COMPANY QT  
ASSUREMENT**

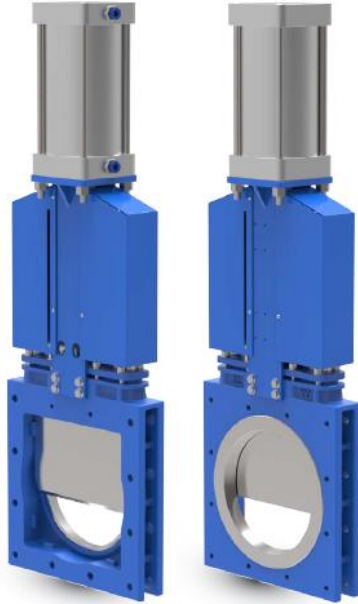
[www.davincivalves.com](http://www.davincivalves.com)

18 Dongyu Street, Square One,  
11th Floor 1101, Jinjiang District,  
Chengdu, Sichuan CHINA

10F/Tower A, Billion Center,  
1 Wang Kwong Road, Kowloon Bay  
Kowloon HONG KONG

## UNIDIRECTIONAL SEALING KNIFE VALVE

ref.880A / PN 10-16



**MODEL:** 870A

**WORKING PRESSURE:**

DN150-DN200 10bar  
DN250-DN400 7bar  
DN450-DN550 5bar  
DN600-DN700 3bar

**STANDARDS:**

Type: Flange  
Design: MSS SP-81  
Flange Standard: PN10/PN16 150LB 10K TE TD  
Face to Face: MSS SP-81  
Testing Standard: API-598  
Operation: handwheel, electric, pneumatic, hydraulic, sprocket, electro-hydraulic, gear

**GENERAL CHARACTERISTICS:**

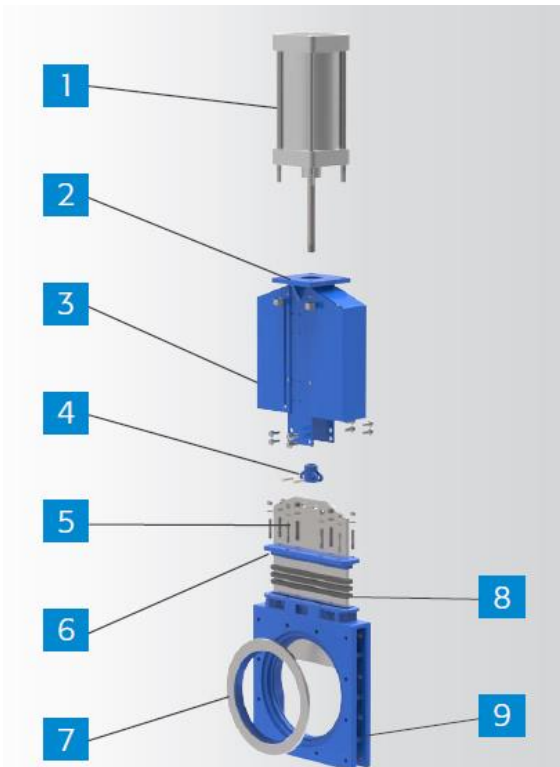
Main Material: GGG40, WCB, CF8, CF8M  
Wedge Material: SS316L, SS304  
Sealing Material: EPDM, Metal to Metal  
Packing: Aramid fiber, high-water-based rubber packing graphite wheel  
Applicable medium: Applicable for Dust, Solid Particles, Coal, oil, chemical and so On. Slag, cinder, dislagging recommend.

**FEATURES:**

- ✚ Unidirectional seal
- ✚ 1PC Body design
- ✚ Full port design
- ✚ Valve cavity no detention
- ✚ Dust covers protect stem
- ✚ Mixed with a variety of materials packing

**Product Description:**

880A Series The type of unidirectional knife gate valve is sealed between the gates plate and the closed cover. It is mainly metal seal. This type of Valve is preferably installed horizontally. It is widely used in other fields such as power plants and other fields with the advantages of non-jammed materials, solid structure, and long life.



No.	Part	Material	QTY
1	Cylinder	Aluminum	1
2	Yoke	A3	1
3	Dust Cover	A3	2
4	Chuck	WCB	1
5	Disc	SS304/SS316L	1
6	Packing Gland	WCB/CF8	1
7	Seat Container	WCB/CF8	1
8	Packing	Aramid PTFE	3-5
9	Body	WCB/GGG40/CF8	1

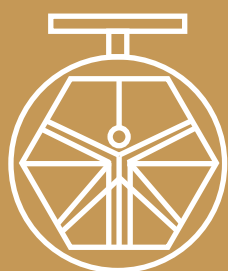
All the components can be substituted with equivalent or higher-class materials.

DAVINCI VALVES LTD, is constantly looking at all ways of improving our products and services related to the water, fire and industry sector and therefore we reserve the right to change, without prior notice, any of the data contained here. Please contact our Technical Sales Department for detailed advice.

© 2018 DAVINCI VALVES LTD.

www.davincivalves.com info@davincivalves.com +34 616553797 / +86 17340168233

*"For professionals who wants more"*



DAVINCI  
VALVES™