

**GROUP 200
GATE VALVES
MOD. 200A/14**



**DAVINCI
VALVES™**

TECHNICAL DATA SHEET

WATER Series

**RESILIENT SEAT GATE VALVES
PLAIN END**

**DAVINCI
VALVES™**



**QUALITY
ASSUREMENT**

**DAVINCI
VALVES™**



**PRODUCT QT
ASSUREMENT**

**DAVINCI
VALVES™**



**COMPANY QT
ASSUREMENT**

www.davincivalves.com

18 Dongyu Street, Square One,
11th Floor 1101, Jinjiang District,
Chengdu, Sichuan CHINA

10F/Tower A, Billion Center,
1 Wang Kwong Road, Kowloon Bay
Kowloon HONG KONG

RESILIENT SEAT GATE VALVE SPIGOT END Ref.200A / PN 10-16

APPLICATION:

Potable water distribution and pumping,
sewage, irrigation

STANDARDS:

Design: DIN 3352.

Manufacture according to: EN 1074-2./GB/T12232-1989

Face to Face: EN 558-1 Serie 14.

Mounting between flanges: PN10/16 EN 1092-2, ISO 7005-2.

Pressure Test: EN 12266-1 Rate A. GB/T13927-1992

Body: 24 bars. Seat: 17,6 bars.

EU directive 2014/68/EU: Products excluded, article 1, 2b up
to ND300. Risk Category I MoD. A from ND350 to ND600

EPDM according to UNE -EN 681-1:1996

PTFE according to UNE-EN 13000-1:2006

WORKING CONDITIONS:

Pressure Ratings: 1.0Mpa; 1.6Mpa; 2.5Mpa

Working Temperature: -10C +80C

Suitable Media: Water

End connection: PN 10/ PN 16/ PN 25

Consult Factory for other applications

GENERAL CHARACTERISTICS:

Range from ND40 up to ND300.

WRAS certificate for Drinking Water (Rubber and paint)

Complies according the norm EN 1074-2

Full bore. 100% Tightness in both ways.

Minimum head loss.

Repackable under pipeline pressure.

Low torque values.

Epoxy paint 250 microns: RAL 5015.



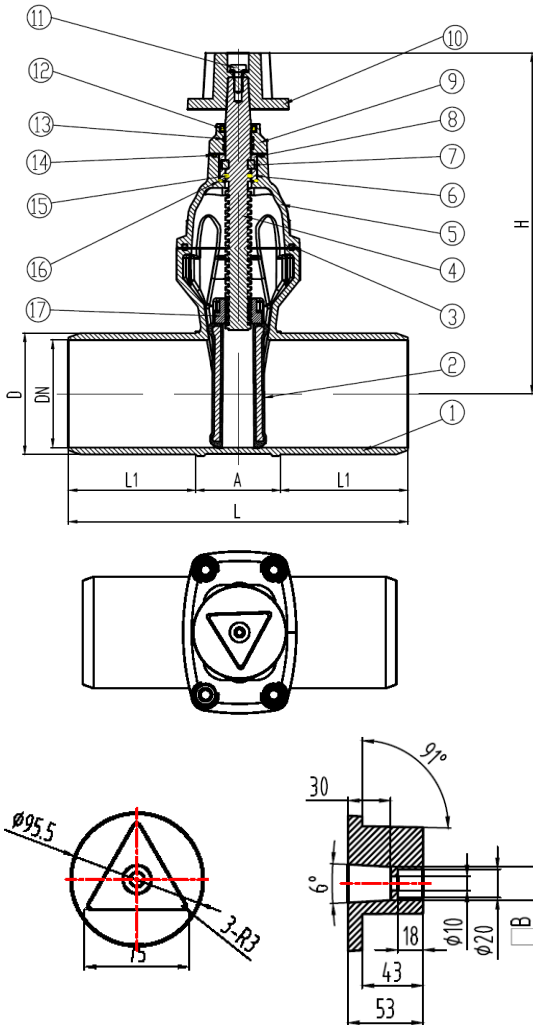
All the components can be substituted with equivalent or higher-class materials.

DAVINCI VALVES LTD, is constantly looking at all ways of improving our products and services related to the water, fire and industry sector and therefore we reserve the right to change, without prior notice, any of the data contained here. Please contact our Technical Sales Department for detailed advice.

© 2018 DAVINCI VALVES LTD.

www.davincivalves.com info@davincivalves.com +34 616553797 / +86 17340168233
18 Dongyu Street, Square One 11th Floor 1101. Jinjiang District, Chengdu, Sichuan Province, China

RESILIENT SEAT GATE VALVE PLAIN END Ref.200A / PN 10-16



ITEM	PART NAME	MATERIAL	STANDARD
1	Body	GGG50	DIN 1693
2	Disc	EPDM+GGG50	DIN 1693
3	Bonnet Gasket	NBR	ISO 4633
4	Stem	SS420	ASTM A959
5	Bonnet	GGG50	DIN 1693
6	Thrust Washer	CuZn39Pb1	EN 12167
7	Holding Ring	CuZn39Pb1	EN 12167
8	Thrust Nut	CuZn39Pb1	EN 12167
9	Gland	GGG50	DIN 1693
10	Cap	GGG50	DIN 1693
11	Cap Bolt	A2-70	ASTM A959
12	Dust Cover	NBR	ISO 4633
13	O Ring	NBR	ISO 4633
14	O Ring	NBR	ISO 4633
15	O Ring	NBR	ISO 4633
16	O Ring	NBR	ISO 4633
17	Stem Nut	CuZn39Pb1	EN 12167

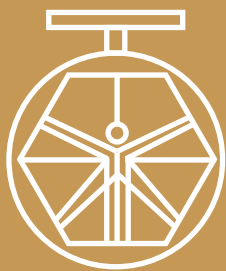
DN	OUTLINE mm					
	L	L1	D	A	H	B
50	232	80	φ60	72	225	14×14
80	292	105	φ89	82	280	17×17
100	328	120	φ114	88	325	19×19
150	400	140	φ60	120	405	19×19
200	462	160	φ60	142	500	24×24
250	490	170	φ60	150	595	24×24
300	550	190	φ60	170	675	24×24

All the components can be substituted with equivalent or higher-class materials.

DAVINCI VALVES LTD, is constantly looking at all ways of improving our products and services related to the water, fire and industry sector and therefore we reserve the right to change, without prior notice, any of the data contained here. Please contact our Technical Sales Department for detailed advice.

© 2018 DAVINCI VALVES LTD.
www.davincivalves.com info@davincivalves.com +34 616553797 / +86 17340168233
18 Dongyu Street, Square One 11th Floor 1101. Jinjiang District, Chengdu, Sichuan Province, China

"For professionals who wants more"



DAVINCI
VALVES™