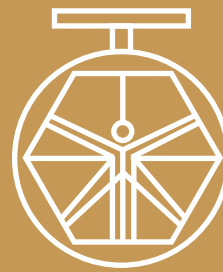


**GROUP 100
BUTTERFLY
VALVES MOD.
130A/05**



**DAVINCI
VALVES™**

**TECHNICAL
DATA SHEET**

WATER Series

**BUTTERFLY VALVES
DOUBLE ECCENTRIC**

**DAVINCI
VALVES™**



**QUALITY
ASSUREMENT**

**DAVINCI
VALVES™**



**PRODUCT QT
ASSUREMENT**

**DAVINCI
VALVES™**



**COMPANY QT
ASSUREMENT**

www.davincivalves.com

18 Dongyu Street, Square One,
11th Floor 1101, Jinjiang District,
Chengdu, Sichuan CHINA

10F/Tower A, Billion Center,
1 Wang Kwong Road, Kowloon Bay
Kowloon HONG KONG

BUTTERFLY VALVE DOUBLE ECCENTRIC FLANGED END TYPE SERIE 13/14 ref.130A / PN 25/40

APPLICATION:

Water, HVAC installations, pressurized air, industry, etc.

STANDARDS:

Face to Face: ISO 5752 Series 14(DIN3202 F4)
Mounting between flanges: PN10/16/25/40 EN 1092-2.
Pressure Test: EN 12266-1, DIN 3230, BS6755 y ISO 5208:
Manufacture acc. to the requirements of the EU directive 2014/68/EU
Equipment's under pressure: mod. H.
According to EN 1074-2, with WRAS Certificate for potable Water

WORKING CONDITIONS:

Pressure Ratings: 1.0Mpa; 1.6Mpa;
2.5Mpa 4.0 Mpa
Working Temperature: -10C- 80C
Suitable Media: Water
Consult Factory for other applications

GENERAL CHARACTERISTICS:

Range from ND50 up to ND3000.
Bidirectional
Top Flange according to ISO 5211.
Epoxy paint 250 microns RAL5017

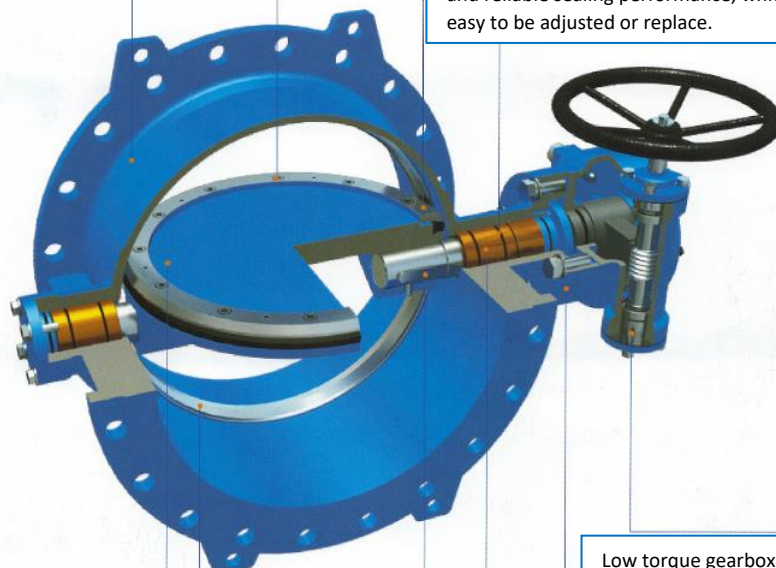


Flange to EN 1092/ISO7005, face to face length to EN588-1/ISO5752 series 13, 14 or 15.

T profiled disc seal ring fixed by retainer ensures the reliable sealing performance in both direction, which is also easy to be adjusted or replaced without any special

Stainless steel fasteners

Multiple shaft O rings provide long life and reliable sealing performance, which is easy to be adjusted or replace.



Streamlined low profiled disc ensures the lower flow resistance.

Disc to shaft connection by means of key, or taper pin.

Low torque gearbox can be easily operated by hand wheel or connect with actuator.

S.steel welded

Self lubricating bearing of Al-bronze material, free from maintenance

ISO 5211 mounting flange connect with gear box, part-turn actuator

All the components can be substituted with equivalent or higher-class materials.

DAVINCI VALVES LTD, is constantly looking at all ways of improving our products and services related to the water, fire and industry sector and therefore we reserve the right to change, without prior notice, any of the data contained here. Please contact our Technical Sales Department for detailed advice.
© 2018 DAVINCI VALVES LTD.
www.davincivalves.com info@davincivalves.com +34 616553797 / +86 17340168233
18 Dongyu Street, Square One 11th Floor 1101. Jinjiang District, Chengdu, Sichuan Province, China

BUTTERFLY VALVE DOUBLE ECCENTRIC FLANGED END TYPE SERIE 13/14 ref.130A / PN 25/40

NAME	MATERIAL	SPECIFICATION	REMARKS
Upper Shaft	Stainless Steel	1.4021(SS420)	
	Duplex Stainless Steel	1.4462(S31803)	for rubber lined butterfly valve
Key	Stainless Steel	1.4021(SS420)	
	Duplex Stainless Steel	1.4462(S31803)	for rubber lined butterfly valve
Parking Gland	Ductile Iron	GJS500-7(GGG50), GJ400-15(GGG40)	
	Carbon Steel	1.0619(WCB)	
Shaft Bearing	Bronze	QAI9-2, CC331G	
O ring	Rubber	EPDM, NBR	
Pin	Stainless Steel	1.4021(SS420)	
	Duplex Stainless Steel	1.4462(S31803)	for rubber lined butterfly valve
Body	Ductile Iron	GJS500-7(GGG50), GJ400-15(GGG40)	
Disc	Ductile Iron	GJS500-7(GGG50), GJ400-15(GGG40)	
Lining	Rubber	Nature Bubber	for rubber lined butterfly valve
Retainer Ring	Carbon Steel	1.0038(S235JR)	
	Stainless Steel	1.4301(SS304)	
	Duplex Stainless Steel	1.4462(S31803)	for rubber lined butterfly valve
Disc Sealing Ring	Rubber	EPDM, NBR	
Lower Shaft	Stainless Steel	1.4021(SS420)	
	Duplex Stainless Steel	1.4462(S31803)	for rubber lined butterfly valve
End Cover	Ductile Iron	GJS500-7(GGG50), GJ400-15(GGG40)	
Body Sealing Ring	Stainless Steel	1.4301(SS304)	
Bolt	Stainless Steel	A2-70	
		A4-70	for rubber lined butterfly valve



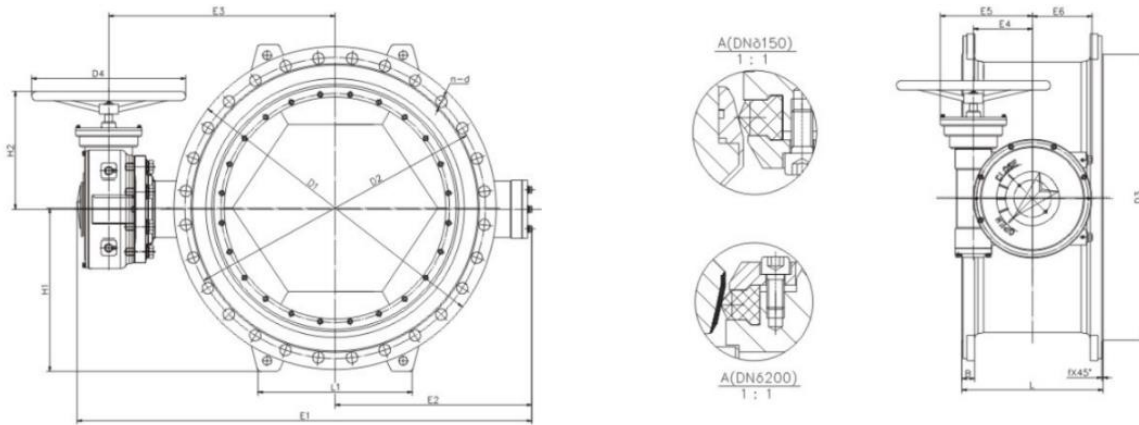
All the components can be substituted with equivalent or higher-class materials.

DAVINCI VALVES LTD, is constantly looking at all ways of improving our products and services related to the water, fire and industry sector and therefore we reserve the right to change, without prior notice, any of the data contained here. Please contact our Technical Sales Department for detailed advice.

© 2018 DAVINCI VALVES LTD.

www.davincivalves.com info@davincivalves.com +34 616553797 / +86 17340168233
18 Dongyu Street, Square One 11th Floor 1101. Jinjiang District, Chengdu, Sichuan Province, China

BUTTERFLY VALVE DOUBLE ECCENTRIC FLANGED END TYPE SERIE 13/14 ref.130A / PN 25/40



Dimensions/ **PN10**

PN10	D1	D2	D3	B	f	H1	H2	E1	E2	E3	E4	E5	E6	L1	D4	ISO5752L Series13 Series14	Weight (KG)		
DN200	340	295	266	20	3	175	193	526	198	272	64	99	85	196	240	152	230	38	46
DN250	395	350	319	22	3	202.5	193	568	219	293	64	99	85	240	240	165	250	48	58
DN300	445	400	370	24.5	4	227.5	233	670	254	351	93.4	135	115	260	320	178	270	70	88
DN350	505	460	429	24.5	4	257.5	233	720	279	376	93.4	135	115	280	320	190	290	87	105
DN400	565	515	480	24.5	4	287.5	283	834	320	432	120	169	138	310	400	216	310	117	153
DN450	615	565	530	25.5	4	312.5	283	903	359	462	120	169	138	340	400	222	330	141	177
DN500	670	620	582	26.5	4	340	283	988	393	513	120	169	138	370	400	229	350	178	214
DN600	780	725	682	30	5	395	354	1119	450	580	148	235	166	430	500	267	390	262	330
DN700	895	840	794	32.5	5	452.5	354	1217	530	598	148	235	166	480	500	292	430	370	438
DN800	1015	950	901	35	5	512.5	379	1410	614	691	185	272	196	560	500	318	470	517	618
DN900	1115	1050	1001	37.5	5	562.5	379	1530	675	750	185	272	196	615	500	330	540	681	782
DN1000	1230	1160	1112	40	5	620	459	1712	748	839	230	359	232	670	600	410	550	1373	1307
DN1200	1455	1380	1328	45	5	732.5	459	1971	865	981	230	359	232	800	600	470	630	1766	1936
DN1400	1675	1590	1530	46	5	842.5	584	2313	1011	1138	315	478	360	920	600	530	710	2224	2569
DN1500	1785	1700	1640	48	5	897.5	584	2489	1112	1213	315	478	360	980	600	565	750		
DN1600	1915	1820	1750	49	5	962.5	584	2588	1161	1263	315	478	360	1050	600	600	790	3208	3373
DN1800	2115	2020	1950	52	5	1062.5	704	3038	1324	1501	412	631	440	1162	720	670	870	4146	4800

NOTE. For larger size please inquiry us

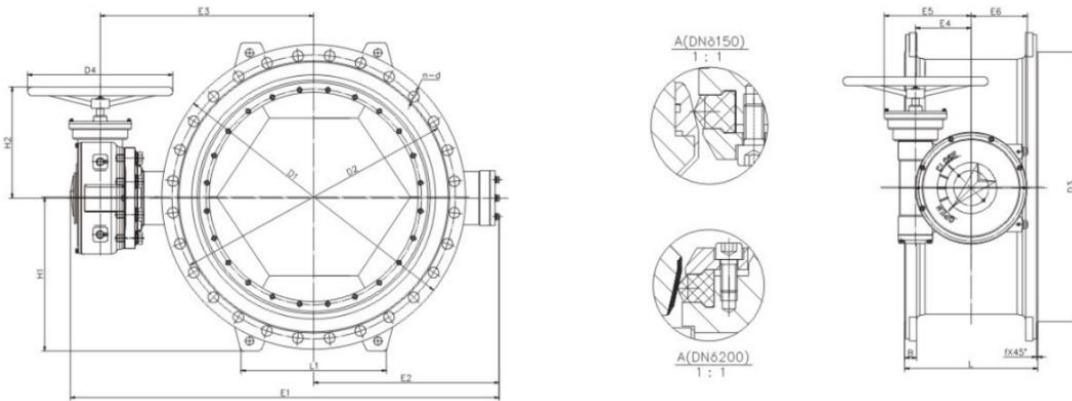
All the components can be substituted with equivalent or higher-class materials.

DAVINCI VALVES LTD, is constantly looking at all ways of improving our products and services related to the water, fire and industry sector and therefore we reserve the right to change, without prior notice, any of the data contained here. Please contact our Technical Sales Department for detailed advice.

© 2018 DAVINCI VALVES LTD.

www.davincivalves.com info@davincivalves.com +34 616553797 / +86 17340168233
18 Dongyu Street, Square One 11th Floor 1101. Jinjiang District, Chengdu, Sichuan Province, China

BUTTERFLY VALVE DOUBLE ECCENTRIC FLANGED END TYPE SERIE 13/14 ref.130A / PN 25/40



Dimensions/ **PN16**

DN16	D1	D2	D3	B	f	H1	H2	E1	E2	E3	E4	E5	E6	L1	D4	ISO5752L Series13 Series14	Weight (KG)		
DN65	185	145	118	19	3	/	123	340	126	174	31.2	56	46	/	120	112	10.5	13.2	
DN80	200	160	132	19	3	/	123	352	132	180	31.2	56	46	/	120	114	12	14.7	
DN100	220	180	156	19	3	117	155	373	133	194	43.2	73	64	150	180	127	16	22	
DN150	285	240	211	19	3	147.5	155	435	164	225	43.2	73	64	180	180	140	23	29	
DN200	340	295	266	20	3	175	193	526	198	272	64	99	85	196	240	152	35	45	230
DN250	405	355	319	22	3	207.5	233	623	230	328	93.4	135	115	240	320	165	60	78	250
DN300	460	410	370	24.5	4	235	233	670	254	351	93.4	135	115	275	320	178	76	94	270
DN350	520	470	429	26.5	4	265	283	784	295	407	120	169	138	290	400	190	108	144	290
DN400	580	525	480	28	4	295	283	853	334	437	120	169	138	320	400	216	139	175	310
DN450	640	585	548	30	4	325	283	938	368	488	120	169	138	360	400	222	184	220	330
DN500	715	650	609	31.5	4	362.5	354	1019	400	530	148	235	166	395	500	229	241	309	350
DN600	840	770	720	36	5	425	354	1117	480	548	148	235	166	470	500	267	360	428	390
DN700	910	840	794	39.5	5	460	379	1308	563	640	185	272	196	480	500	292	469	570	430
DN750	970	900	855	41	5	490	379	1360	586	669	185	272	196	480	500	305	603	704	450
DN800	1025	950	901	43	5	517.5	379	1426	623	698	185	272	196	560	500	318	662	763	470
DN900	1125	1050	1001	46.5	5	567.5	459	1612	698	789	230	359	232	618	600	330	882	1052	510
DN1000	1255	1170	1112	50	5	635.5	459	1773	766	882	230	359	232	600	600	410	1174	1344	550
DN1200	1485	1390	1328	57	5	747.5	584	2113	911	1038	315	478	360	800	600	470	1897	2242	630
DN1400	1685	1590	1530	60	5	847.5	704	2529	1063	1253	412	631	440	920	720	530	2902	3556	710
DN1500	1820	1710	1640	62.5	5	915	704	2633	1120	1300	412	631	440	1000	720	565	2557	3211	750
DN1600	1930	1820	1750	65	5	970	704	2754	1172	1369	412	631	440	1060	720	600	3626	4280	790

NOTE. For larger size please inquiry us

All the components can be substituted with equivalent or higher-class materials.

DAVINCI VALVES LTD, is constantly looking at all ways of improving our products and services related to the water, fire and industry sector and therefore we reserve the right to change, without prior notice, any of the data contained here. Please contact our Technical Sales Department for detailed advice.

© 2018 DAVINCI VALVES LTD.

www.davincivalves.com info@davincivalves.com +34 616553797 / +86 17340168233

18 Dongyu Street, Square One 11th Floor 1101. Jinjiang District, Chengdu, Sichuan Province, China

BUTTERFLY VALVE DOUBLE ECCENTRIC FLANGED END TYPE SERIE 13/14 ref.130A / PN 25/40

Dimensions/PN25

DN	D1	D2	D3	B	f	Series14	H1	H2	H3	E1	E2	E3	E4	E5	E6	L1	D4
200	360	310	274	22	3	230	190	178	233	586	221	300	93.4	135	115	220	320
250	425	370	330	25	3	250	220	178	233	656	254	337	93.4	135	115	260	320
300	485	430	389	28	4	270	250	192	283	757	298	377	120	169	138	300	400
350	555	490	448	30	4	290	285	317	378	830	318	430	120	186	138	320	400
400	620	550	503	32	4	310	315	315	376	945	370	486	148	214	166	350	400
450	670	600	548	34.5	4	330	340	315	376	991	406	496	148	214	166	370	400
500	730	660	609	37	4	350	370	346	407	1112	453	554	185	265	196	410	400
600	845	770	720	42	5	390	428	346	407	1235	495	631	185	265	196	470	400
700	960	875	820	46.5	5	430	485	390	451	1398	569	704	230	333	232	530	400
800	1085	990	928	51	5	470	548	390	451	1571	646	800	230	333	232	600	400
900	1185	1090	1028	55.5	5	510	598	451	512	1669	695	849	230	368	232	655	400
1000	1320	1210	1140	60	5	550	665	507	568	1923	779	980	315	453	327	730	400
1200	1530	1420	1350	69	5	630	770	599	660	2252	903	1136	412	613	408	840	400
1400	1755	1640	1560	74	5	710	883	599	660	2516	1041	1262	412	613	408	970	400
1500	1865	1750	1678	77.5	5	750	938	599	660	2651	1130	1308	412	613	408	1310	400
1600	1975	1860	1780	81	5	790	993	777	838	2852	1208	1405	495	725	485		1080

Dimensions/PN40

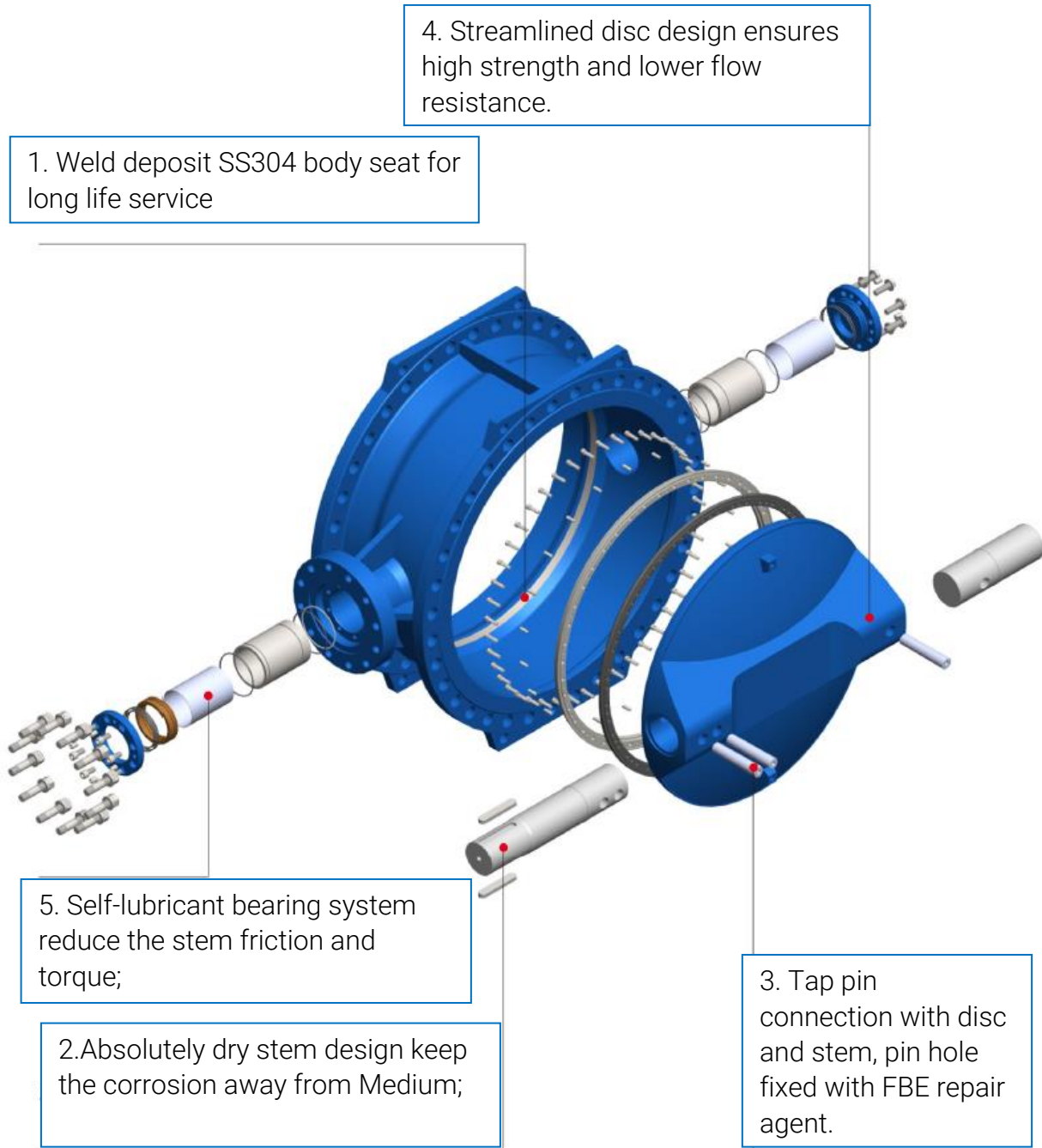
DN	D1	D2	D3	B	f	Series14	H1	H2	H3	E1	E2	E3	E4	E5	E6	L1	D4
200	375	320	284	30	3	230	193	178	233	603	229	309	93.4	135	115	180	320
250	450	385	345	35	3	250	230	192	283	712	261	369	120	169	138	200	400
300	515	450	409	40	4	270	263	317	378	195	305	408	120	186	138	240	400
350	580	510	465	44	4	290	295	315	376	904	360	455	148	214	166	320	400
400	660	585	535	48	4	310	335	315	376	1001	407	505	148	214	166	320	400
450	685	610	560	49	4	330	348	346	407	1067	429	533	185	265	196	360	400
500	755	670	615	52	4	350	383	346	407	1180	477	598	185	265	196	450	400
600	890	795	735	58	5	390	450	390	451	1363	555	683	230	333	232	500	400
700	995	900	840	64	5	430	505	507	568	1625	666	795	315	453	327	560	400
800	1140	1030	960	72	5	470	575	507	568	1696	664	868	315	453	327	630	400
900	1250	1140	1070	76	5	510	635	507	568	1904	785	955	315	613	327	690	400
1000	1360	1250	1180	80	5	550	690	599	660	2039	837	989	412	613	408	740	400
1100	1460	1350	1280	85	5	590	735	599	660	2384	997	1174	412	613	408	800	400
1200	1575	1460	1380	88	5	630	793	777	838	2595	1077	1279	495	725	485	860	600
1400	1795	1680	1600	98	5	710	903	777	838	2839	1200	1400	495	725	485	1000	600
1500	1925	1800	1715	105	5	750	968	777	838	3041	1305	1497	495	725	485	1060	600
1600	2025	1900	1815	108	5	790	1018	958		3252	1410	1520	560	820	566	1110	

All the components can be substituted with equivalent or higher-class materials.

DAVINCI VALVES LTD, is constantly looking at all ways of improving our products and services related to the water, fire and industry sector and therefore we reserve the right to change, without prior notice, any of the data contained here. Please contact our Technical Sales Department for detailed advice.
© 2018 DAVINCI VALVES LTD.

www.davincivalves.com info@davincivalves.com +34 616553797 / +86 17340168233
18 Dongyu Street, Square One 11th Floor 1101. Jinjiang District, Chengdu, Sichuan Province, China

BUTTERFLY VALVE DOUBLE ECCENTRIC FLANGED END TYPE SERIE 13/14 ref.130A / PN 25/40



All the components can be substituted with equivalent or higher-class materials.

DAVINCI VALVES LTD, is constantly looking at all ways of improving our products and services related to the water, fire and industry sector and therefore we reserve the right to change, without prior notice, any of the data contained here. Please contact our Technical Sales Department for detailed advice.

© 2018 DAVINCI VALVES LTD.

www.davincivalves.com info@davincivalves.com +34 616553797 / +86 17340168233
18 Dongyu Street, Square One 11th Floor 1101. Jinjiang District, Chengdu, Sichuan Province, China

"For professionals who wants more"



DAVINCI
VALVES™