

**GROUP 200  
COMPLEMENTS  
MOD. 240/87**



**DAVINCI  
VALVES™**

**TECHNICAL  
DATA SHEET**

**FIRE Series**

**VERTICAL TYPE INDICATOR  
SYSTEM UL/FM**

**DAVINCI  
VALVES™**



**QUALITY  
ASSUREMENT**

**DAVINCI  
VALVES™**



**PRODUCT QT  
ASSUREMENT**

**DAVINCI  
VALVES™**



**COMPANY QT  
ASSUREMENT**

[www.davincivalves.com](http://www.davincivalves.com)

18 Dongyu Street, Square One,  
11th Floor 1101, Jinjiang District,  
Chengdu, Sichuan CHINA

10F/Tower A, Billion Center,  
1 Wang Kwong Road, Kowloon Bay  
Kowloon HONG KONG

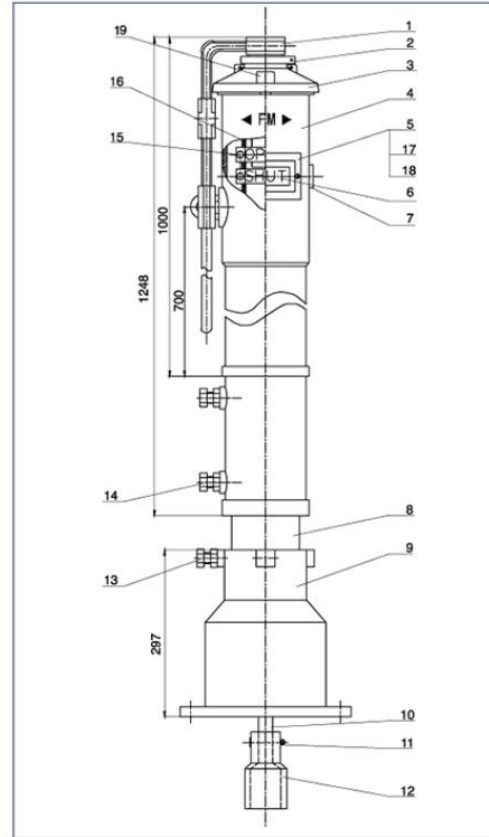
## VERTICAL TYPE INDICATOR POST UL/FM FIRE SYSTEMS

**Ref.240A**

### Installation Instruction:

Unload the upper cover of control lead  
Measure control lead depth, remove the excess part of connector lead and driving rod

Fit the control rod with full closed valve,  
turn the position plate to SHUT position  
Load upper cover



NO.	ITEM	Material	Remark
1	Handle	DI	ASTM A536
2	Driving Rod	SS304	ASTM A276
3	Indicator Cover	CI	ASTM A126
4	Housing	CI	ASTM A126
5	Keyhole Plate	A283 Gr.C	ASTM A36
6	Indicator Plate	A413.0	ASTM S12A
7	Screwed Plug	1035	ASTM A449
8	Extension Rod	A283 Gr.C	ASTM A36
9	Flange	CI	ASTM A126
10	Connecting Rod	1045	ASTM A29
11	Cotter Pin	1035	ASTM A449
12	Joint	CI	ASTM A126
13	Bolt	1035	ASTM A29
14	Bolt	1035	ASTM A29
15	Bolt	1035	ASTM A29
16	Driving Nut	SS304	ASTM A276
17	Keyhole Plate Gasket	EPDM	ASTM D2000
18	Indicator Flap	Organic glass	
19	Bolt	1035	ASTM A29

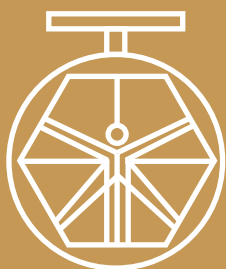
TECHNICAL DATA SHEET

*All the components can be substituted with equivalent or higher-class materials.*

DAVINCI VALVES LTD, is constantly looking at all ways of improving our products and services related to the water, fire and industry sector and therefore we reserve the right to change, without prior notice, any of the data contained here. Please contact our Technical Sales Department for detailed advice.  
© 2018 DAVINCI VALVES LTD.

www.davincivalves.com info@davincivalves.com +34 616553797 / +86 17340168233  
18 Dongyu Street, Square One 11th Floor 1101. Jinjiang District, Chengdu, Sichuan Province, China

*"For professionals who wants more"*



DAVINCI  
VALVES™