

**GROUP 200  
GATE VALVES  
MOD. 201A/18**



**DAVINCI  
VALVES™**

**TECHNICAL  
DATA SHEET**

**FIRE Series**

**SYSTEM UL/FM  
NON RISING STEM FLANGED ENDS**

**DAVINCI  
VALVES™**



**QUALITY  
ASSUREMENT**

**DAVINCI  
VALVES™**



**PRODUCT QT  
ASSUREMENT**

**DAVINCI  
VALVES™**



**COMPANY QT  
ASSUREMENT**

[www.davincivalves.com](http://www.davincivalves.com)

18 Dongyu Street, Square One,  
11th Floor 1101, Jinjiang District,  
Chengdu, Sichuan CHINA

10F/Tower A, Billion Center,  
1 Wang Kwong Road, Kowloon Bay  
Kowloon HONG KONG

## RESILIENT SEAT GATE VALVE NON-RISING STEM FLANGED END 200PSI FIRE SYSTEMS Ref.201A / 200PSI

### GENERAL CHARACTERISTICS:

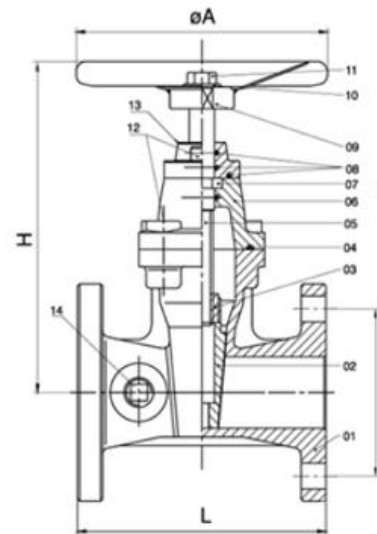
Range from ND50 up to ND300.  
Full bore.  
100% Tightness in both ways.  
Minimum head loss.  
Low torque values.  
Epoxy paint 250 microns

### WORKING CONDITIONS:

Pressure Ratings: 200PSI  
Working Temperature: -10C +100C  
Suitable Media: Water  
Consult for other applications

### STANDARDS:

Design: AWWA515  
Flange standard: ASME/ANSIB16.1 Class 125 or  
ASME/ANSI B16.42 Class 150 or BS EN1092-2  
PN16 or GB/T9113.1  
Pressure Test: EN 12266-1 Rate A.  
EU directive 2014/68/EU



ITEM	2-1/2"	3"	4"	5"	6"	8"	10"	12"
L	190	203	229	254	267	292	330	356
H	289	326	355	410	455	558	648	745
øA	220	250	280	300	350	380	450	450

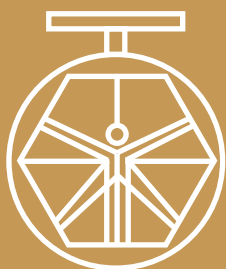
ITEM	PART	MATERIAL	ITEM	PART	MATERIAL
1	Body	DI GJS450	8	O-ring	EPDM
2	Disc	DI GJS450 + EPDM	9	Handwheel	Steel
3	Nut	BRONZE ASTM B62	10	Flat Gasket	Steel
4	Gasket	EPDM	11	Bolts	Steel
5	Stem	AISI420	12	Countersunk Head Bolt	Steel
6	Cap	GJS450	13	Platen	DI GJS450
7	Retainer Ring	C95400	14	Plug	C95400

*All the components can be substituted with equivalent or higher-class materials.*

DAVINCI VALVES LTD, is constantly looking at all ways of improving our products and services related to the water, fire and industry sector and therefore we reserve the right to change, without prior notice, any of the data contained here. Please contact our Technical Sales Department for detailed advice.  
© 2018 DAVINCI VALVES LTD.

www.davincivalves.com info@davincivalves.com +34 616553797 / +86 17340168233  
18 Dongyu Street, Square One 11th Floor 1101. Jinjiang District, Chengdu, Sichuan Province, China

*"For professionals who wants more"*



DAVINCI  
VALVES™