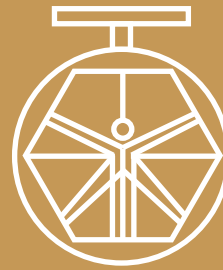


**GROUP 800  
KNIFE VALVES  
MOD.860A/108**



**DAVINCI  
VALVES™**

**TECHNICAL  
DATA SHEET**

**INDUSTRY Series**

**UNIDIRECTIONAL SEALING KNIFE VALVE**

**DAVINCI  
VALVES™**



**QUALITY  
ASSUREMENT**

**DAVINCI  
VALVES™**



**PRODUCT QT  
ASSUREMENT**

**DAVINCI  
VALVES™**



**COMPANY QT  
ASSUREMENT**

[www.davincivalves.com](http://www.davincivalves.com)

18 Dongyu Street, Square One,  
11th Floor 1101, Jinjiang District,  
Chengdu, Sichuan CHINA

10F/Tower A, Billion Center,  
1 Wang Kwong Road, Kowloon Bay  
Kowloon HONG KONG

## UNIDIRECTIONAL SEALING KNIFE VALVE ref.860A / PN 10-16



**MODEL:** 860A

**WORKING PRESSURE:**

DN50-DN150 10bar DN50-DN2000 16bar  
DN200 8bar DN2200-DN3000 10bar  
DN250-DN300 6bar DN350-DN400 5bar  
DN450-DN600 3bar DN700-DN1400 2bar

**STANDARDS:**

Type: Wafer, Flange  
Design: MSS SP-81  
Flange Standard: DIN PN10, PN16, 150LB, JIS 10K, TABLE E/D  
Face to Face: MSS SP-81  
Testing Standard: API-598  
Operation: handwheel, electric, pneumatic, hydraulic, sprocket, electro-hydraulic, gear

**GENERAL CHARACTERISTICS:**

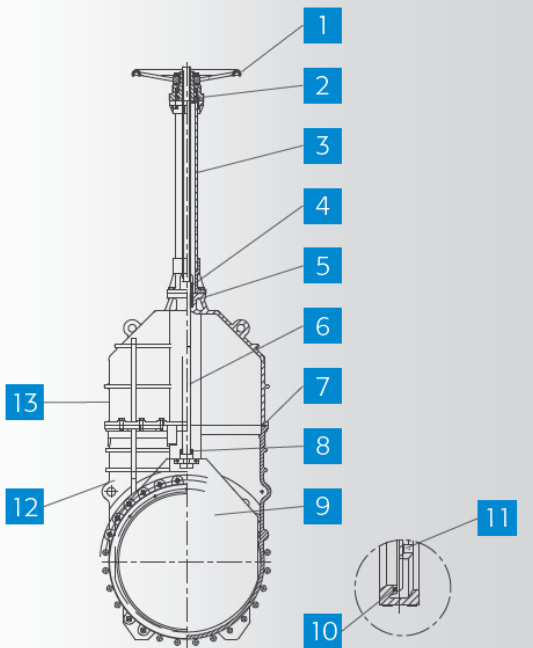
Main Material: CF3M, CF3, CF8M, CF8, WCB, GGG40  
Wedge Material: F55, F53,2205, SS310, SS316L, SS316, SS304  
Sealing Material: EPDM, NBR, FKMEPDM, NBR, FKM  
Packing: Aramid fiber, high-water-based rubber packing graphite wheel  
Applicable medium: Applicable for coal in power plant, slag discharge, sewage treatment, food, paper making, medicine, petroleum and chemical industry, water, Oil, steam, connecting or cutting grout, gold powder, ores, slag, coal, pulp, wood pulp, tailings, fibers, dust, chemicals, sewage treatment, sedimentation tanks, asphalt, bunker export, cereals, slaughter plant waste and other media.

**FEATURES:**

- ✚ Unidirectional seal
- ✚ additional bonnet design
- ✚ high pressure as request
- ✚ Mixed with a variety of materials packing

**PRODUCT DESCRIPTION:**

860A Series is buried in valve' body and completely isolated from the outside environment, it is suitable for installed with sewage pipes and keeps the valve body immersed in the liquid if the gate is not isolated from the external environment, then the gate will soon be corrupted and influence its serving life. The sealing structure is that when knife is moving downward, its edge will press the wedge block and ensure the knife will be closed combined with seat seal, to achieve a sealing effect.



No.	Part	Material	QTY
1	Hand Wheel	GGG40	1
2	Yoke Head	GGG40/CF8	1
3	Yoke	GGG40/CF8	1
4	Packing Gland	WCB/CF8/CF8M/2205	1
5	Packing	PTFE	3-5
6	Stem	SS420/SS304	1
7	Body Sealing	EPDM/NBR/FKM	1
8	Chuck	SS201/SS304	1
9	Disc	SS304/SS316L	1
10	Seat	EPDM/NBR/FKM	1
11	Wedge	CF3M.CF8M.CF8.WCB.GGG40	2
12	Body	CF3M.CF8M.CF8.WCB.GGG40	1
13	Bonnet	CF3M.CF8M.CF8.WCB.GGG40	1-2

All the components can be substituted with equivalent or higher-class materials.

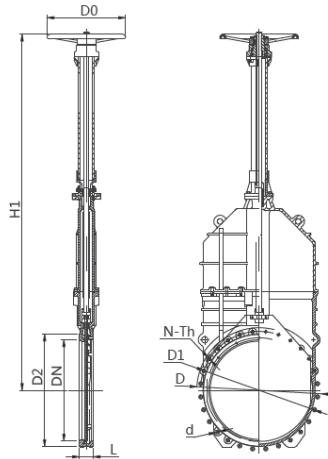
DAVINCI VALVES LTD, is constantly looking at all ways of improving our products and services related to the water, fire and industry sector and therefore we reserve the right to change, without prior notice, any of the data contained here. Please contact our Technical Sales Department for detailed advice.

© 2018 DAVINCI VALVES LTD.

www.davincivalves.com info@davincivalves.com +34 616553797 / +86 17340168233

## UNIDIRECTIONAL SEALING KNIFE VALVE ref.860A / PN 10-16

### DIMENSION



DN	L	D	D1	D2	D0	N-Th	d(φ)	H1
50	48	165	125	99	180	4-M16	18	292
65	48	185	145	118	200	4-M16	18	320
80	51	200	160	132	200	4-M16	18	348
100	51	220	180	156	240	8-M16	18	395
125	57	250	210	184	260	8-M16	18	450
150	57	285	240	211	280	8-M16	23	504
200	70	340	295	266	300	8-M20	23	617
250	70	395	350	319	320	8-M20	23	758
300	76	445	400	370	350	12-M20	23	857
350	76	505	460	429	400	12-M20	23	946
400	89	565	515	480	450	16-M20	27	1023
450	89	615	565	530	500	16-M24	27	1091
500	114	670	620	582	500	20-M24	27	1148
550	114	725	680	638		20-M27	30	Gear
600	114	780	725	682		20-M27	30	Gear
700	127	895	840	794		24-M27	30	Gear
800	127	1015	950	901		24-M30	30	Gear
900	127	1115	1050	1001		28-M30	30	Gear
1000	149	1230	1160	1112		28-M33	30	Gear
1100	149	1340	1260	1220		28-M33	30	Gear
1200	156	1455	1380	1328		32-M36	30	Gear
1350	171	1630	1540	14890		36-M39	30	Gear
1400	171	1675	1590	1530		36-M39	30	Gear
1500	198	1795	1705	1640		40-M39	30	Gear
1600	198	1915	1820	1750		40-M45	30	Gear
1800	219	2115	2020	1950		44-M45	30	Gear
2000	250	2325	2230	2150		48-M45	30	Gear

All the components can be substituted with equivalent or higher-class materials.

DAVINCI VALVES LTD, is constantly looking at all ways of improving our products and services related to the water, fire and industry sector and therefore we reserve the right to change, without prior notice, any of the data contained here. Please contact our Technical Sales Department for detailed advice.  
© 2018 DAVINCI VALVES LTD.

www.davincivalves.com info@davincivalves.com +34 616553797 / +86 17340168233

## UNIDIRECTIONAL SEALING KNIFE VALVE ref.860A / PN 10-16

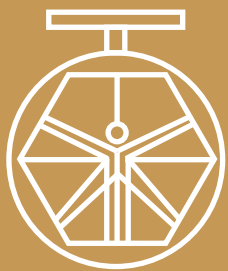
ANSI 150LB								
DN	L	D	D1	D2	D0	N-Th	d(φ)	H1
2"	48	152	121	92	180	4-5/8"	19	260
2-1/2"	48	178	140	105	200	4-5/8"	19	292
3"	51	191	153	127	200	4-5/8"	19	320
4"	51	229	191	157	240	8-5/8"	19	358
5"	57	254	216	186	260	8-3/4"	22	395
6"	57	279	242	216	280	8-3/4"	22	450
8"	70	343	299	270	300	8-3/4"	22	532
10"	70	406	362	324	320	12-7/8"	25	670
12"	76	483	432	381	350	12-7/8"	25	758
14"	76	533	476	413	400	12-1"	29	857
16"	89	597	540	470	450	16-1"	29	946
18"	86	635	578	533	500	16-1 1/8"	32	1023
20"	114	699	635	584	500	20-1 1/8"	32	1148
22"	114	750	692	641		20-1 1/4"	35	Gear
24"	114	813	750	691		24-1 1/4"	35	Gear
26"	114	870	806	749		28-1 1/4"	35	Gear
28"	127	927	864	800		28-1 1/4"	35	Gear
30"	127	985	914	857		28-1 1/2"	41	Gear
32"	127	1060	978	914		32-1 1/2"	41	Gear
34"	127	1110	1029	965		32-1 1/2"	41	Gear
36"	127	1170	1086	1022		32-1 1/2"	41	Gear
38"	149	1240	1149	1073		36-1 1/2"	41	Gear
40"	149	1290	1200	1124		36-1 1/2"	41	Gear
42"	149	1345	1257	1194		40-1 1/2"	41	Gear
44"	149	1405	1314	1245		40-1 1/2"	41	Gear
46"	149	1455	1365	1295		44-1 1/2"	41	Gear
48"	156	1510	1422	1359		44-1 3/4"	41	Gear
50"	156	1570	1480	1410		44-1 3/4"	51	Gear
52"	156	1625	1537	1461		44-1 3/4"	51	Gear
54"	171	1685	1594	1511		44-1 3/4"	51	Gear
56"	171	1745	1651	1575		48-1 3/4"	51	Gear

*All the components can be substituted with equivalent or higher-class materials.*

DAVINCI VALVES LTD, is constantly looking at all ways of improving our products and services related to the water, fire and industry sector and therefore we reserve the right to change, without prior notice, any of the data contained here. Please contact our Technical Sales Department for detailed advice.  
© 2018 DAVINCI VALVES LTD.

www.davincivalves.com info@davincivalves.com +34 616553797 / +86 17340168233

*"For professionals who wants more"*



DAVINCI  
VALVES™

[www.davincivalves.com](http://www.davincivalves.com)