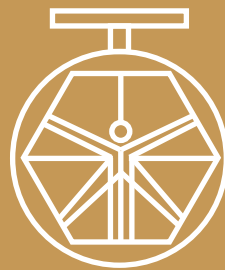


**GROUP 400
CHECK
VALVES MOD.
420A/24**



**DAVINCI
VALVES™**

TECHNICAL DATA SHEET

WATER Series

**DUAL PLATE CHECK VALVES
WAFER TYPE**

**DAVINCI
VALVES™**



**QUALITY
ASSUREMENT**

**DAVINCI
VALVES™**



**PRODUCT QT
ASSUREMENT**

**DAVINCI
VALVES™**



**COMPANY QT
ASSUREMENT**

www.davincivalves.com

18 Dongyu Street, Square One,
11th Floor 1101, Jinjiang District,
Chengdu, Sichuan CHINA

10F/Tower A, Billion Center,
1 Wang Kwong Road, Kowloon Bay
Kowloon HONG KONG

VALVULA DE RETENCION DE DOBLE PLATO WAFER

Ref.420A / PN 10-16 ANSI125-150#

APLICACION:

Suitable for use in fire prevention, air conditioning facilities, irrigation and water supplying.

GENERAL CHARACTERISTICS:

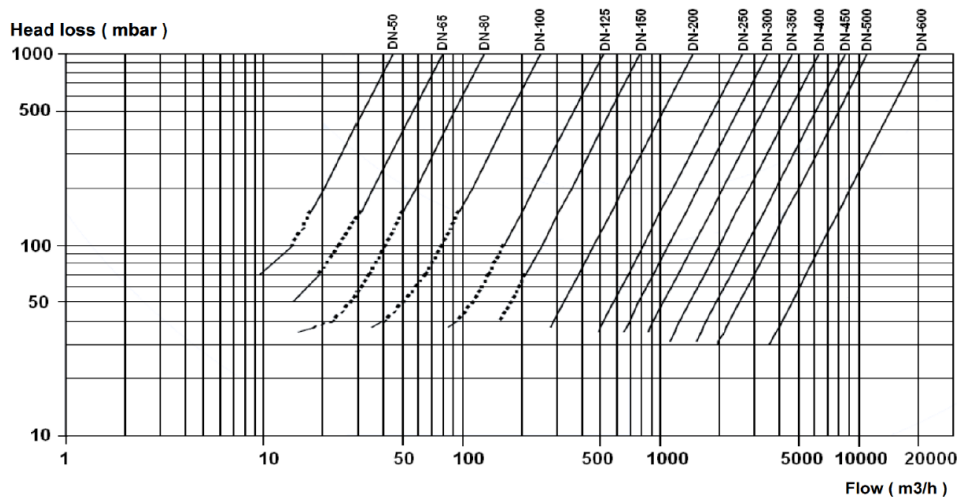
Range from ND40 up to ND1200 .
Vulcanized gasket.
Assembling in horizontal & Vertical position ascending flow.
Epoxy paint 250 microns RAL 5015.

WORKING CONDITIONS:

Maximum Working Pressure: 16 /25 bar.
Max.Working Temperature : +80 °C (NBR) / +120 °C (EPDM)
Suitable Media: Water
Consult Factory for other applications

STANDARDS:

Face to Face : EN 558-1 Series 16.
100% sealing according to: ISO 5208 Rate A.
Mounting between flanges : PN10 / PN16 EN 1092-2.
Pressure Test : EN 12266-1, DIN 3230, BS6755 y ISO 5208: Body : 24 bar. Seat : 17,6 bar.
Manufacture acc. to the requirements of the EU directive 2014/68/EU Equipements under pressure: Cat. III mod. H



| DN ND | 40 | 50 | 65 | 80 | 100 | 125 | 150 | 200 | 250 | 300 | 350 | 400 | 450 | 500 | 600 |
|-----------------------------------|----|----|----|----|-----|-----|-----|-----|-----|-----|-----|-----|-----|-----|-----|
| Presión (mbar) Pressure (mbar) | 42 | 42 | 42 | 38 | 30 | 26 | 25 | 18 | 17 | 16 | 15 | 13 | 13 | 10 | 9 |

All the components can be substituted with equivalent or higher-class materials.

DAVINCI VALVES LTD, is constantly looking at all ways of improving our products and services related to the water, fire and industry sector and therefore we reserve the right to change, without prior notice, any of the data contained here. Please contact our Technical Sales Department for detailed advice.
© 2018 DAVINCI VALVES LTD.

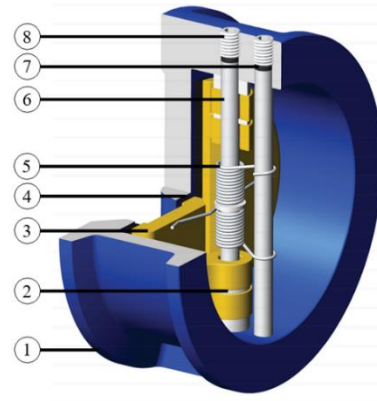
www.davincivalves.com info@davincivalves.com +34 616553797 / +86 17340168233
18 Dongyu Street, Square One 11th Floor 1101. Jinjiang District, Chengdu, Sichuan Province, China

VALVULA DE RETENCION DE DOBLE PLATO WAFER

Ref.420A / PN 10-16 ANSI125-150#

FEATURES

Designed to comply with API 594. Adopting dual plate design for efficient sealing. Valve inspection and testing comply with API 598. Available in Series F16 and Series F125. Series F16 check valve compatible with GB, DIN, BS flanges. Face to face according to ISO 5752 basic series 16(wafer long). F125 check valve compatible with ANSI 125/150 flanges. Available in wafer type body. With many body/trim combinations, there is check valve to meet your application.



MATERIALS

| Item | Part Name | Materials |
|------|-------------|--------------------------------------------------------------------------------------------------------------------------------------------------------------------------------------|
| 1 | Body | Cast Iron: ASTM A126CL. B , DIN1691 GG25, EN 1561 EN-GJL-200; GB12226 HT200; |
| | | Ductile Cast Iron: |
| | | ASTM A536 65-45-12, DIN 1693 GGG40, EN1563 EN-GJS-400-15, GB12227 QT450-10; |
| 2 | Washer | PTFE, Nylon |
| 3 | Disc | Ductile Cast Iron(Nickel plated): |
| | | ASTM A536 65-45-12, DIN 1693 GGG40, EN1563 EN-GJS-400-15, GB12227 QT450-10; Stainless Steel: ASTM A351 CF8, CF8M; CF3, CF3M; EN 1.4408, 1.4469; 1.4501; AL-Bronze: ASTM B148 C95400; |
| | | |
| 4 | Seat | NBR, EPDM, Neoprene, Viton; |
| 5 | Spring | Stainless Steel: ASTM A276 Type 304, Type 316, Type 410; |
| 6 | Stem | Stainless Steel: ASTM A276 Type 304, Type 316, Type 410; |
| 7 | Seal Washer | NBR, EPDM, Neoprene, Viton; |
| 8 | Screw | Carbon Steel; Stainless Steel: ASTM A276 Type 316, Type 410; |

All the components can be substituted with equivalent or higher-class materials.

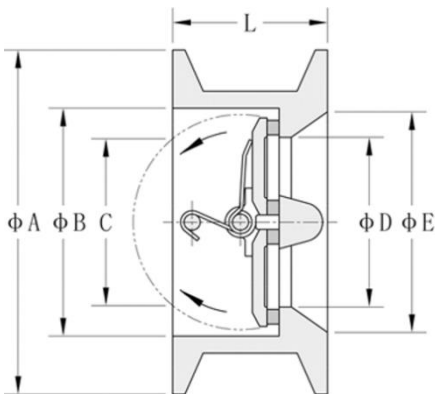
DAVINCI VALVES LTD, is constantly looking at all ways of improving our products and services related to the water, fire and industry sector and therefore we reserve the right to change, without prior notice, any of the data contained here. Please contact our Technical Sales Department for detailed advice.
© 2018 DAVINCI VALVES LTD.

www.davincivalves.com info@davincivalves.com +34 616553797 / +86 17340168233
18 Dongyu Street, Square One 11th Floor 1101. Jinjiang District, Chengdu, Sichuan Province, China

VALVULA DE RETENCION DE DOBLE PLATO WAFER

Ref.420A / PN 10-16 ANSI125-150#

DIMMENSIONS



DIN PN10/16

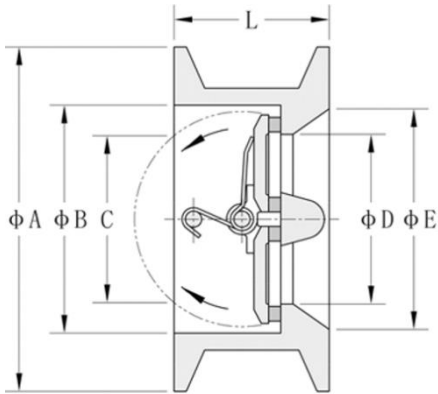
| mm | inch | A | B | C | D | E | L |
|------|------|------|------|------|------|------|-----|
| 50 | 2 | 107 | 65 | 49 | 48 | 59 | 43 |
| 65 | 2.5 | 127 | 80 | 63 | 60 | 78 | 46 |
| 80 | 3 | 142 | 94 | 69 | 70 | 91 | 64 |
| 100 | 4 | 162 | 117 | 97 | 88 | 110 | 64 |
| 125 | 5 | 192 | 145 | 121 | 115 | 142 | 70 |
| 150 | 6 | 218 | 170 | 145 | 134 | 170 | 76 |
| 200 | 8 | 273 | 224 | 197 | 182 | 222 | 89 |
| 250 | 10 | 328 | 265 | 234 | 223 | 264 | 114 |
| 300 | 12 | 378 | 310 | 284 | 260 | 310 | 114 |
| 350 | 14 | 438 | 360 | 333 | 300 | 360 | 127 |
| 400 | 16 | 489 | 410 | 379 | 355 | 414 | 140 |
| 450 | 18 | 539 | 450 | 415 | 382 | 450 | 152 |
| 500 | 20 | 594 | 505 | 472 | 435 | 505 | 152 |
| 600 | 24 | 695 | 624 | 579 | 536 | 605 | 178 |
| 700 | 28 | 798 | 725 | 673 | 630 | 715 | 229 |
| 800 | 32 | 906 | 825 | 775 | 720 | 815 | 241 |
| 900 | 36 | 1004 | 925 | 877 | 820 | 915 | 241 |
| 1000 | 40 | 1116 | 1025 | 969 | 912 | 1015 | 300 |
| 1200 | 48 | 1332 | 1228 | 1161 | 1100 | 1220 | 360 |

All the components can be substituted with equivalent or higher-class materials.

DAVINCI VALVES LTD, is constantly looking at all ways of improving our products and services related to the water, fire and industry sector and therefore we reserve the right to change, without prior notice, any of the data contained here. Please contact our Technical Sales Department for detailed advice.
© 2018 DAVINCI VALVES LTD.

VALVULA DE RETENCION DE DOBLE PLATO WAFER

Ref.420A / PN 10-16 ANSI125-150#



DIMMENSIONS

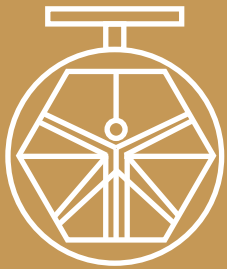
ANSI125/150

| Inch | mm | A | B | C | D | E | L |
|------|------|------|------|------|------|------|-----|
| 2 | 50 | 105 | 65 | 20 | 48 | 59 | 54 |
| 2½ | 65 | 124 | 80 | 49 | 60 | 78 | 54 |
| 3 | 80 | 137 | 94 | 76 | 70 | 91 | 57 |
| 4 | 100 | 175 | 117 | 97 | 88 | 110 | 64 |
| 5 | 125 | 197 | 145 | 121 | 115 | 142 | 70 |
| 6 | 150 | 222 | 170 | 145 | 134 | 170 | 76 |
| 8 | 200 | 279 | 224 | 193 | 182 | 222 | 95 |
| 10 | 250 | 340 | 265 | 239 | 223 | 264 | 108 |
| 12 | 300 | 410 | 310 | 259 | 260 | 310 | 143 |
| 14 | 350 | 451 | 360 | 274 | 300 | 360 | 184 |
| 16 | 400 | 514 | 410 | 331 | 355 | 414 | 191 |
| 18 | 450 | 549 | 450 | 369 | 382 | 450 | 203 |
| 20 | 500 | 606 | 505 | 423 | 435 | 505 | 213 |
| 24 | 600 | 718 | 624 | 545 | 536 | 605 | 222 |
| 30 | 750 | 873 | 775 | 667 | 680 | 765 | 305 |
| 36 | 900 | 1038 | 925 | 776 | 820 | 915 | 368 |
| 42 | 1050 | 1210 | 1078 | 935 | 960 | 1065 | 432 |
| 48 | 1200 | 1375 | 1228 | 1021 | 1100 | 1220 | 524 |

All the components can be substituted with equivalent or higher-class materials.

DAVINCI VALVES LTD, is constantly looking at all ways of improving our products and services related to the water, fire and industry sector and therefore we reserve the right to change, without prior notice, any of the data contained here. Please contact our Technical Sales Department for detailed advice.
© 2018 DAVINCI VALVES LTD.

"For professionals who wants more"



DAVINCI
VALVES™