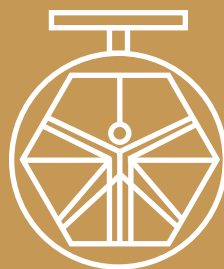


**GROUP 400
CHECK VALVES
MOD. 420/24**



**DAVINCI
VALVES™**

**TECHNICAL
DATA SHEET**

INDUSTRY Series

WAFER DUAL PLATE CHECK VALVE CF8M

**DAVINCI
VALVES™**



**QUALITY
ASSUREMENT**

**DAVINCI
VALVES™**



**PRODUCT QT
ASSUREMENT**

**DAVINCI
VALVES™**



**COMPANY QT
ASSUREMENT**

www.davincivalves.com

18 Dongyu Street, Square One,
11th Floor 1101, Jinjiang District,
Chengdu, Sichuan CHINA

10F/Tower A, Billion Center,
1 Wang Kwong Road, Kowloon Bay
Kowloon HONG KONG

DUAL PLATE CHECK VALVE WAFER TYPE CF8M

Ref.420 / PN 10-16-ANSI150#

APPLICATION:

Suitable for use in Industry, heat /cooling systems and others.

GENERAL CHARACTERISTICS:

Range from ND40 up to ND600 .

Vulcanized gasket.

Assembling in horizontal & Vertical position ascending flow.

STANDARDS:

Face to Face : API598 en-558-1 series 16

100% sealing according to: ISO 5208 Rate A.

Mounting between flanges : PN10 / PN16/Ansi150 EN 1092-2.

Pressure Test : EN 12266-1, DIN 3230, BS6755 y ISO 5208:

Body : 24 bar. Seat : 17,6 bar.

Manufacture acc. to the requirements of the EU directive 2014/68/EU

Equipment under pressure: Cat. III mod. H

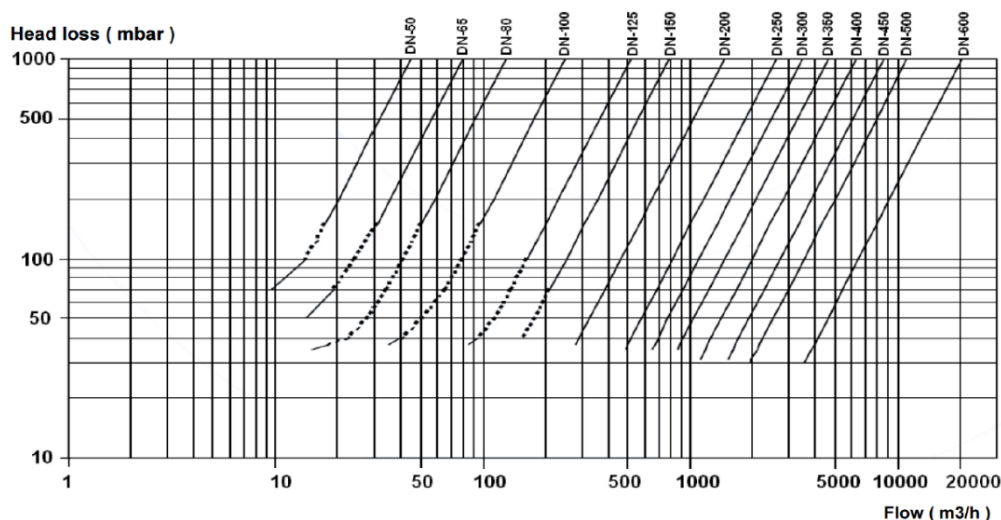
WORKING CONDITIONS:

Maximum Working Pressure: 16 bar.

Max.Working Temperature : -26 °C / +205 °C

Suitable Media: Water, Oil, Gas, others.

Consult Factory for other applications



| DN ND | 40 | 50 | 65 | 80 | 100 | 125 | 150 | 200 | 250 | 300 | 350 | 400 | 450 | 500 | 600 |
|-----------------------------------|----|----|----|----|-----|-----|-----|-----|-----|-----|-----|-----|-----|-----|-----|
| Presión (mbar) Pressure (mbar) | 42 | 42 | 42 | 38 | 30 | 26 | 25 | 18 | 17 | 16 | 15 | 13 | 13 | 10 | 9 |

All the components can be substituted with equivalent or higher-class materials.

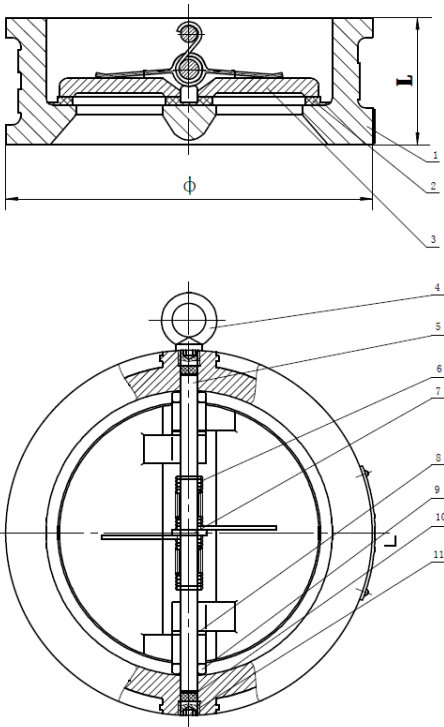
DAVINCI VALVES LTD, is constantly looking at all ways of improving our products and services related to the water, fire and industry sector and therefore we reserve the right to change, without prior notice, any of the data contained here. Please contact our Technical Sales Department for detailed advice.

© 2018 DAVINCI VALVES LTD.

www.davincivalves.com info@davincivalves.com +34 616553797 / +86 17340168233

DUAL PLATE CHECK VALVE WAFER TYPE CF8M

Ref.420 / PN 10-16-ANSI150#



| ND | A | L | Weight |
|-----|-----|-----|--------|
| 50 | 107 | 43 | 1,8 |
| 65 | 127 | 46 | 3,2 |
| 80 | 142 | 64 | 4 |
| 100 | 162 | 64 | 5,2 |
| 125 | 192 | 70 | 7,2 |
| 150 | 218 | 76 | 8,5 |
| 200 | 273 | 89 | 16 |
| 250 | 328 | 114 | 28 |
| 300 | 378 | 114 | 47 |

| ITEM | PART | MATERIAL | QTY |
|------|------------|----------|-----|
| 1 | Body | CF8M | 1 |
| 2 | Seat | VITON | 1 |
| 3 | Disc | CF8M | 2 |
| 4 | Eye Bolt | SS316 | 1 |
| 5 | Shaft | SS316 | 2 |
| 6 | Spring | SS316 | 4 |
| 7 | Gasket | F4 | 1 |
| 8 | Gasket | F4 | 1 |
| 9 | Gasket | F4 | 2 |
| 10 | Gland Bush | F4 | 2 |
| 11 | Screw | 25 | 4 |

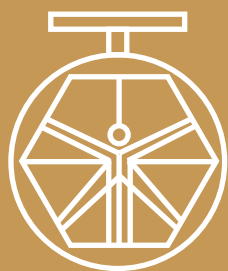
All the components can be substituted with equivalent or higher-class materials.

DAVINCI VALVES LTD, is constantly looking at all ways of improving our products and services related to the water, fire and industry sector and therefore we reserve the right to change, without prior notice, any of the data contained here. Please contact our Technical Sales Department for detailed advice.

© 2018 DAVINCI VALVES LTD.

www.davincivalves.com info@davincivalves.com +34 616553797 / +86 17340168233

"For professionals who wants more"



DAVINCI
VALVES™