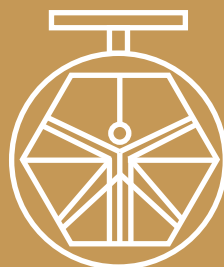


**GROUP 800  
KNIFE VALVES  
MOD.870A/110**



**DAVINCI  
VALVES™**

**TECHNICAL  
DATA SHEET**

**INDUSTRY Series**

**UNIDIRECTIONAL SEALING KNIFE VALVE**

**DAVINCI  
VALVES™**



**QUALITY  
ASSUREMENT**

**DAVINCI  
VALVES™**



**PRODUCT QT  
ASSUREMENT**

**DAVINCI  
VALVES™**



**COMPANY QT  
ASSUREMENT**

[www.davincivalves.com](http://www.davincivalves.com)

18 Dongyu Street, Square One,  
11th Floor 1101, Jinjiang District,  
Chengdu, Sichuan CHINA

10F/Tower A, Billion Center,  
1 Wang Kwong Road, Kowloon Bay  
Kowloon HONG KONG

## UNIDIRECTIONAL SEALING KNIFE VALVE

ref.870A / PN 10-16



**MODEL:** 870A

**WORKING PRESSURE:**

DN150-DN400 6-10bar DN450-DN550 4-7bar  
DN600-DN800 3-5bar DN850-DN900 1-2bar

**STANDARDS:**

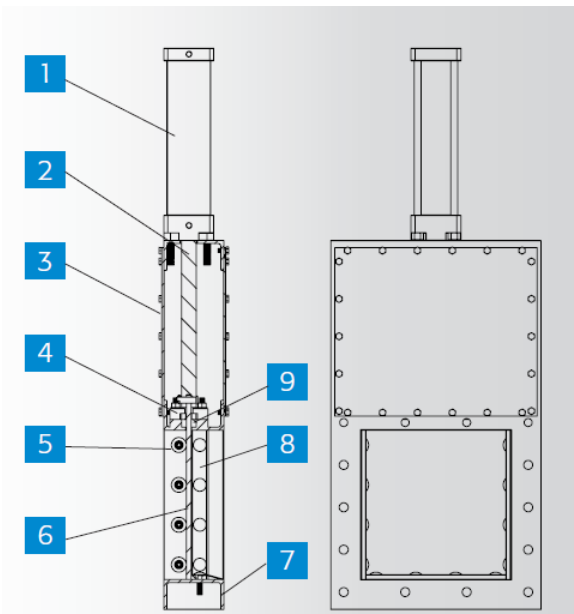
Type: Square Flange  
Design: MSS SP-81  
Flange Standard: DIN PN10, PN16,150LB, JIS 10K  
Face to Face: MSS SP-81  
Testing Standard: API-598  
Operation: handwheel, electric, pneumatic, hydraulic, sprocket, electro-hydraulic, gear

**GENERAL CHARACTERISTICS:**

Main Material: Q235, Stainless steel  
Wedge Material: F55, F53,2205, SS310, SS316L, SS316, SS304  
Sealing Material: NBR, FKM, graphite, Metal to Metal  
Packing: Aramid fiber, high-water-based rubber packing graphite wheel  
Applicable medium: Applicable for Urban sewage treatment, sugar, powder, medicine, chemical and other fields.

**FEATURES:**

- ✚ 80-400°C
- ✚ Modified packing seal structure
- ✚ Design of bearing guide
- ✚ Bonnet design



No.	Part	Material	QTY
1	Cylinder	Aluminum	1
2	Stem	2Cr13/SS304/SS16	1
3	Cover	Q235/SS304/SS16	2
4	Packing Gland	Q235/SS304/SS16	1
5	Guide Bearing	Plastic	N
6	Disc	SS304/SS316	1
7	Body	Q235/SS304/SS16	2
8	Seat Gland	Q235/SS304/SS16	2
9	Packing	PTFE/NBR/graphite	3-5

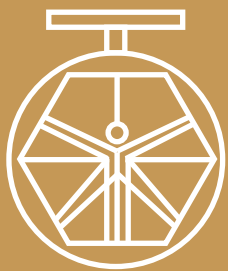
All the components can be substituted with equivalent or higher-class materials.

DAVINCI VALVES LTD, is constantly looking at all ways of improving our products and services related to the water, fire and industry sector and therefore we reserve the right to change, without prior notice, any of the data contained here. Please contact our Technical Sales Department for detailed advice.

© 2018 DAVINCI VALVES LTD.

www.davincivalves.com info@davincivalves.com +34 616553797 / +86 17340168233

*"For professionals who wants more"*



DAVINCI  
VALVES™