

**GROUP 600
ACCESSORIES
MOD.
611A/80**



**DAVINCI
VALVES™**

**TECHNICAL
DATA SHEET
WATER Series**

COUPLING FOR PVC/PE/HDPE PIPES

**DAVINCI
VALVES™**



**QUALITY
ASSUREMENT**

**DAVINCI
VALVES™**



**PRODUCT QT
ASSUREMENT**

**DAVINCI
VALVES™**



**COMPANY QT
ASSUREMENT**

www.davincivalves.com

18 Dongyu Street, Square One,
11th Floor 1101, Jinjiang District,
Chengdu, Sichuan CHINA

10F/Tower A, Billion Center,
1 Wang Kwong Road, Kowloon Bay
Kowloon HONG KONG

RESTRAINED COUPLING FOR PVC/PE/HDPE/UPVC

Ref.611A / PN 16

APPLICATION:

Water, HVAC installations, irrigation, industry, others

WORKING CONDITIONS:

Working Temperature:
- 10 °C - + 120 °C. for EPDM
- 10 °C - + 82 °C. for NBR

GENERAL CHARACTERISTICS:

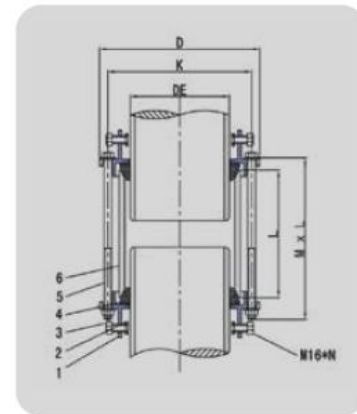
Size DN300 to DN1200,
Connection for HDPE
Angular deflection +4°
working pressure PN10/PN16
Powder Epoxy Cured coating 250 Mic

STANDARDS:

Comply with EN545/12842
Coating Standard EN30677
Pressure Test: EN 12266-1.
Flange EN1092-2 PN10/PN16
WRAS approval under request



Sr.No.	Name	Material
1	End ring	Ductile Iron
2	Gripper	Galvanized cast iron
3	Gripper Bolt	Carbon steel
4	Gasket	EPDM
5	Ring Bolt	Carbon steel
6	Body	Ductile Iron



DE	L	D	M*L	K	M16*N
355	170	510	M16*300*6	473	M16*6
400	180	556	M16*320*8	518	M16*8
500	180	658	M16*320*8	620	M16*8
630	200	790	M16*360*10	750	M16*10
710	200	870	M16*360*12	830	M16*12
800	220	965	M16*400*12	922	M16*12
900	220	1070	M16*400*14	1025	M16*14
1000	220	1172	M16*400*14	1128	M16*14
1200	240	1380	M16*430*16	1330	M16*16

All the components can be substituted with equivalent or higher-class materials.

DAVINCI VALVES LTD, is constantly looking at all ways of improving our products and services related to the water, fire and industry sector and therefore we reserve the right to change, without prior notice, any of the data contained here. Please contact our Technical Sales Department for detailed advice.
© 2018 DAVINCI VALVES LTD.

www.davincivalves.com info@davincivalves.com +34 616553797 / +86 17340168233
18 Dongyu Street, Square One 11th Floor 1101. Jinjiang District, Chengdu, Sichuan Province, China

"For professionals who wants more"



DAVINCI
VALVES™

www.davincivalves.com