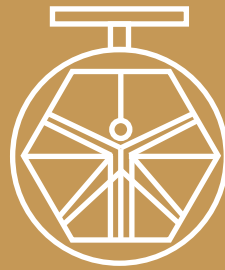


**GROUP 600  
ACCESSORIES  
MOD.  
610B/79**



**DAVINCI  
VALVES™**

**TECHNICAL  
DATA SHEET  
WATER Series**

**UNIVERSAL COUPLING**

**DAVINCI  
VALVES™**



**QUALITY  
ASSUREMENT**

**DAVINCI  
VALVES™**



**PRODUCT QT  
ASSUREMENT**

**DAVINCI  
VALVES™**



**COMPANY QT  
ASSUREMENT**

[www.davincivalves.com](http://www.davincivalves.com)

18 Dongyu Street, Square One,  
11th Floor 1101, Jinjiang District,  
Chengdu, Sichuan CHINA

10F/Tower A, Billion Center,  
1 Wang Kwong Road, Kowloon Bay  
Kowloon HONG KONG

## UNIVERSAL COUPLING

Ref.610B / PN 10-16

### APPLICATION:

Water, HVAC installations, irrigation, industry, others

### WORKING CONDITIONS:

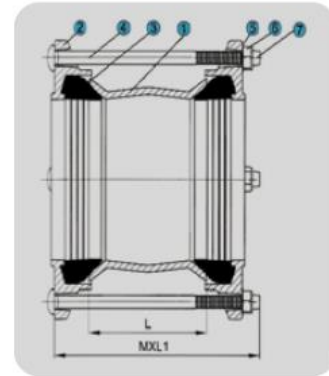
Working Temperature:  
- 10 °C - + 120 °C. for EPDM  
- 10 °C - + 82 °C. for NBR

### STANDARDS:

Comply with EN545 Coating EN30677  
Pressure Test: EN 12266-1.

### GENERAL CHARACTERISTICS:

Size DN40 to DN400,  
working pressure PN10/PN16  
Powder Epoxy Cured coating 250 Mic  
Angular deflection +-3°  
Suitable for potable water, neutral liquid  
and sewage. WRAS approved



Sr.No.	Name	Material
1	Center Sleeve	Ductile Iron GJS500-7
2	End ring	Ductile Iron GJS500-7
3	Gasket	EPDM/NBR
4	Bolt	CS 4.8 Dacromet
5	Washer	CS 4.8 Dacromet
6	Nut	CS 4.8 Dacromet
7	Cap	Plastic

SIZE	Pipe OD(mm)	L	M*L	Bolt NO.	Weight(kg)
DN50	58-74	100	M12*190	4	2.6
DN65	68-84	100	M12*190	4	3.9
DN80	84-105	100	M12*190	4	5.2
DN100	99-118	100	M12*190	4	5.5
DN100	109-133	100	M12*190	4	6.8
DN125	133-157	100	M12*190	4	6.8
DN150	157-182	115	M12*210	4	9.4
DN150	177-201	115	M12*210	4	9.8
DN200	194-215	115	M12*210	4	9.9
DN200	218-242	160	M12*230	4	14.4
DN225	242-267	160	M12*230	4	18.5
DN250	242-268	160	M12*250	4	18.6
DN250	280-305	160	M12*250	4	20.5
DN300	302-327	160	M12*250	4	22
DN300	324-350	160	M14*260	4	16.5
DN350	352-378	160	M14*260	4	19.9
DN350	384-410	160	M14*260	4	21.1
DN400	410-436	160	M14*260	4	21.8
DN400	436-462	160	M14*260	4	23.5

All the components can be substituted with equivalent or higher-class materials.

DAVINCI VALVES LTD, is constantly looking at all ways of improving our products and services related to the water, fire and industry sector and therefore we reserve the right to change, without prior notice, any of the data contained here. Please contact our Technical Sales Department for detailed advice.

© 2018 DAVINCI VALVES LTD.

www.davincivalves.com info@davincivalves.com +34 616553797 / +86 17340168233  
18 Dongyu Street, Square One 11th Floor 1101. Jinjiang District, Chengdu, Sichuan Province, China

*"For professionals who want more "*



DAVINCI  
VALVES™