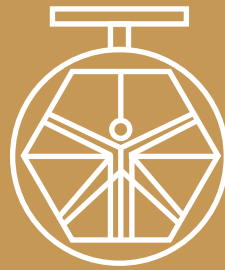


**GROUP 400
CHECK
VALVES
MOD. 480/54**



**DAVINCI
VALVES™**

**TECHNICAL
DATA SHEET**
WATER Series

FLOAT VALVE

**DAVINCI
VALVES™**



**QUALITY
ASSUREMENT**

**DAVINCI
VALVES™**



**PRODUCT QT
ASSUREMENT**

**DAVINCI
VALVES™**



**COMPANY QT
ASSUREMENT**

www.davincivalves.com

18 Dongyu Street, Square One,
11th Floor 1101, Jinjiang District,
Chengdu, Sichuan CHINA

10F/Tower A, Billion Center,
1 Wang Kwong Road, Kowloon Bay
Kowloon HONG KONG

FLOAT VALVE FLANGED END

Ref.480A/ PN 10-16

APPLICATION:

Tanks control level

STANDARDS:

Size Range: DN50-300mm

End Connections: PN10, PN16.

Comply with EN 558-1, ISO 5752

and EN 1092-2, ISO 7005-2 flange dimension.

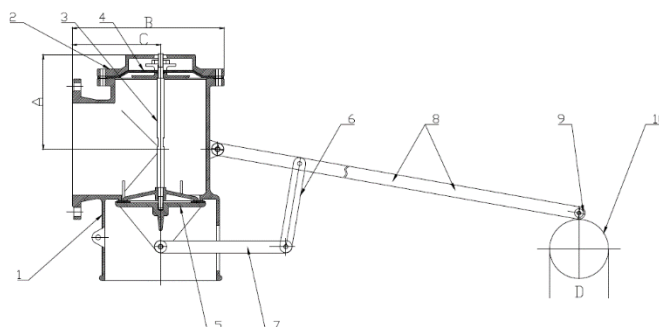
Epoxy paint 250 microns RAL 5015.

WORKING CONDITIONS:

Pressure Ratings: 1.6Mpa

Working Temperature: -10C +80C

Flow Media: Water



ITEM	PART	MATERIAL
1	Body	GJS500
2	Bonnet	GJS500
3	Stem	SS304
4	Diaphragm	EPDM reinforced
5	Seal Plate	GJS500
6	Connectio bar	C.Steel Zinc
7	Down bar	C.Steel Zinc
8	Float bar	C.Steel Zinc
9	Pin	C.Steel Zinc
10	Float ball	SS304

ND	A	B	C	d	g	x-Øn	D
80	130	265	150	200	160	8-19	350
100	130	265	150	220	180	8-19	420
150	170	316	180	285	240	8-23	420
200	230	430	270	340	295	12-23	420
250	250	480	270	405	355	12-28	420
300	285	510	305	460	410	12-28	420



All the components can be substituted with equivalent or higher-class materials.

DAVINCI VALVES LTD, is constantly looking at all ways of improving our products and services related to the water, fire and industry sector and therefore we reserve the right to change, without prior notice, any of the data contained here. Please contact our Technical Sales Department for detailed advice.
© 2018 DAVINCI VALVES LTD.

"For professionals who want more "



DAVINCI
VALVES™