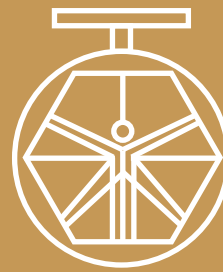


**GROUP 400
CHECK
VALVES
MOD. 411/60**



**DAVINCI
VALVES™**

**TECHNICAL
DATA SHEET**

FIRE Series

**SWING CHECK VALVES
SYSTEM UL/FM
GROOVE ENDS 350PSI**

**DAVINCI
VALVES™**



**QUALITY
ASSUREMENT**

**DAVINCI
VALVES™**



**PRODUCT QT
ASSUREMENT**

**DAVINCI
VALVES™**



**COMPANY QT
ASSUREMENT**

www.davincivalves.com

18 Dongyu Street, Square One,
11th Floor 1101, Jinjiang District,
Chengdu, Sichuan CHINA

10F/Tower A, Billion Center,
1 Wang Kwong Road, Kowloon Bay
Kowloon HONG KONG

SWING CHECK VALVE GROOVE VALVE 350PSI UL/FM FOR FIRE SYSTEMS

Ref.411A / 350PSI

GENERAL CHARACTERISTICS:

Range from ND50 up to ND300.(2"-12")

Coating Epoxy FBE 250 microns

Approvals UL,FM

Groove ends

Applications: Used in one-way flow pipeline to prevent the water from back flow



STANDARDS:

Pressure Test: EN 12266-1 Rate A.

EU directive 2014/68/EU

Groove ANSI/AWWA C606 or Metric

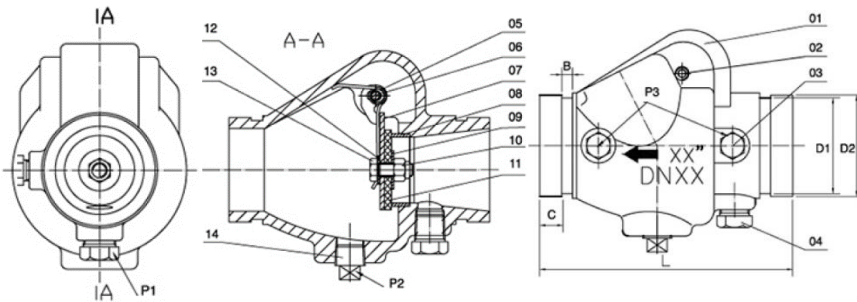
WORKING CONDITIONS:

Pressure Ratings: 350PSI Max test 700 PSI

Working Temperature: -10°C +80°C

Suitable Media: Water

Vertical and Horizontal installation



No.	Name	QTY	Material	No.	Name	QTY	Material
1	Valve Body	1	DI	8	Seat	1	C95400
2	Bolt	2	Steel	9	Clamping Ring	1	SS304
3	Plug	2	Steel	10	Locknut	1	SS304
4	Plug	1	Steel	11	Facing Seal	1	EPDM
5	Spring	1	SS304	12	Gasket	1	EPDM
6	Hinge Pin	1	SS304	13	Bolt	1	SS304
7	Clapper	1	SS304	14	Plut	1	Steel

ITEM SIZE	L	D1	D2	B	C	P1			P2				P3		
2"	169	57.15	60.3	7.95	15.9	1/2-14NPT	1/2-14NPT	3/4-14NPT	1-11.5NPT	1 1/4-11.5NPT	1 1/2-11.5NPT	2-11.5NPT	1/4-18NPT	3/8-18NPT	1/2-14NPT
2.5"	181	69.09	73	7.95	15.9	1/2-14NPT	1/2-14NPT	3/4-14NPT	1-11.5NPT	2 1/4-11.5NPT	2 1/2-11.5NPT	2-11.5NPT	1/4-18NPT	3/8-18NPT	1/2-14NPT
3"	198	84.94	88.9	7.95	15.9	1/2-14NPT	1/2-14NPT	3/4-14NPT	1-11.5NPT	3 1/4-11.5NPT	3 1/2-11.5NPT	2-11.5NPT	1/4-18NPT	3/8-18NPT	1/2-14NPT
4"	214	110.08	114	9.53	15.9	1/2-14NPT	1/2-14NPT	3/4-14NPT	1-11.5NPT	4 1/4-11.5NPT	4 1/2-11.5NPT	2-11.5NPT	1/4-18NPT	3/8-18NPT	1/2-14NPT
5"	248	135.48	140	9.53	15.9	1/2-14NPT	1/2-14NPT	3/4-14NPT	1-11.5NPT	5 1/4-11.5NPT	5 1/2-11.5NPT	2-11.5NPT	1/4-18NPT	3/8-18NPT	1/2-14NPT
6"	270	160.78	166	9.53	15.9	1/2-14NPT	1/2-14NPT	3/4-14NPT	1-11.5NPT	6 1/4-11.5NPT	6 1/2-11.5NPT	2-11.5NPT	1/4-18NPT	3/8-18NPT	1/2-14NPT
8"	325	211.60	216	11.1	19.1	1/2-14NPT	1/2-14NPT	3/4-14NPT	1-11.5NPT	7 1/4-11.5NPT	7 1/2-11.5NPT	2-11.5NPT	1/4-18NPT	3/8-18NPT	1/2-14NPT

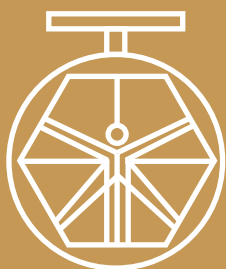
TECHNICAL DATA SHEET

All the components can be substituted with equivalent or higher-class materials.

DAVINCI VALVES LTD, is constantly looking at all ways of improving our products and services related to the water, fire and industry sector and therefore we reserve the right to change, without prior notice, any of the data contained here. Please contact our Technical Sales Department for detailed advice.
© 2018 DAVINCI VALVES LTD.

www.davincivalves.com info@davincivalves.com +34 616553797 / +86 17340168233
18 Dongyu Street, Square One 11th Floor 1101. Jinjiang District, Chengdu, Sichuan Province, China

"For professionals who wants more"



DAVINCI
VALVES™