

**GROUP 200  
GATE VALVES  
MOD. 210A/13**



**DAVINCI  
VALVES™**

# TECHNICAL DATA SHEET

## WATER Series

**RESILIENT SEAT GATE VALVES  
NON RISING STEM THREADED END**

**DAVINCI  
VALVES™**



**QUALITY  
ASSUREMENT**

**DAVINCI  
VALVES™**



**PRODUCT QT  
ASSUREMENT**

**DAVINCI  
VALVES™**



**COMPANY QT  
ASSUREMENT**

[www.davincivalves.com](http://www.davincivalves.com)

18 Dongyu Street, Square One,  
11th Floor 1101, Jinjiang District,  
Chengdu, Sichuan CHINA

10F/Tower A, Billion Center,  
1 Wang Kwong Road, Kowloon Bay  
Kowloon HONG KONG

## RESILIENT SEAT GATE VALVE NON-RISING STEM VERTICAL THREADED END MALE-FEMALE

Ref.210 / PN 10-16

### APPLICATION:

Potable water distribution and pumping, sewage, irrigation

### GENERAL CHARACTERISTICS:

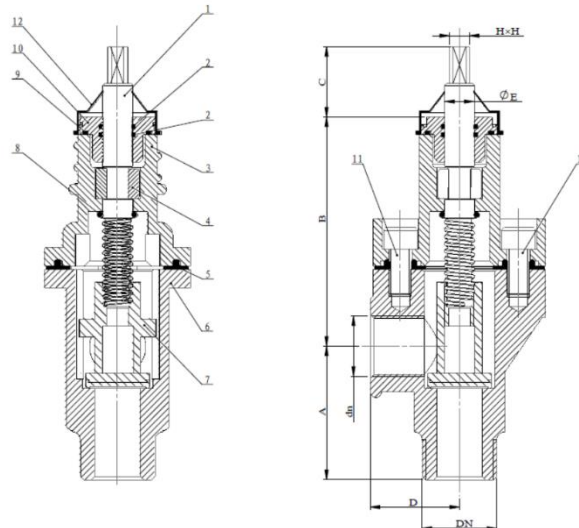
Range from ND20 up to ND50.  
WRAS certificate for Drinking Water (Rubber and paint)  
Full bore.  
100% Tightness in both ways.  
Minimum head loss.  
Repackable under pipeline pressure.  
Low torque values.  
Epoxy paint 250 microns: RAL 5015.

### STANDARDS:

Manufacture according to ISO 9001 2008.  
Design according to DIN 3352  
Thread ends GAS/NPT  
Pressure Test: EN 12266-1 Rate A.  
Body: 24 bar. Asiento / Seat: 17,6 bar.

### WORKING CONDITIONS:

Maximum Working Pressure: 16 bar.  
Metal Seat Working Temperature: - 10 °C / +



DN	DN	A	B	C	D	E	HXH
1"	1"	73	125	38,5	49	16	11X11
1"	5/4"	73	125	38,5	49	16	11X11
5/4"	5/4"	73	125	38,5	49	16	11X11
5/4"	2"	84	183	38,5	60	16	11X11
3/2"	2"	84	183	38,5	60	16	11X11
2"	2"	84	183	38,5	60	16	11X11

No	PART	MATERIAL
1	STEM	2CR13
2	O-RING	NBR
3	BONNET	GJS400
4	THRUST COLLAR	BRONZE
5	GASKET	EPDM
6	BODY	GJS400
7	TRIM	BRASS
8	O-RING	NBR
9	O-RING	NBR
10	LOKING NUT	BRASS
11	SCREW	CARBON STEEL GALV
12	ANTI DUST COVER	NBR

All the components can be substituted with equivalent or higher-class materials.

DAVINCI VALVES LTD, is constantly looking at all ways of improving our products and services related to the water, fire and industry sector and therefore we reserve the right to change, without prior notice, any of the data contained here. Please contact our Technical Sales Department for detailed advice.  
© 2018 DAVINCI VALVES LTD.

www.davincivalves.com info@davincivalves.com +34 616553797 / +86 17340168233  
18 Dongyu Street, Square One 11th Floor 1101. Jinjiang District, Chengdu, Sichuan Province, China

*"For professionals who wants more"*



DAVINCI  
VALVES™