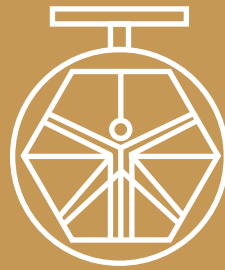


**GROUP 400
CHECK
VALVES
MOD.
460B/28**



**DAVINCI
VALVES™**

TECHNICAL DATA SHEET

WATER Series

FOOT/AXIAL CHECK VALVES

**DAVINCI
VALVES™**



**QUALITY
ASSUREMENT**

**DAVINCI
VALVES™**



**PRODUCT QT
ASSUREMENT**

**DAVINCI
VALVES™**



**COMPANY QT
ASSUREMENT**

www.davincivalves.com

18 Dongyu Street, Square One,
11th Floor 1101, Jinjiang District,
Chengdu, Sichuan CHINA

10F/Tower A, Billion Center,
1 Wang Kwong Road, Kowloon Bay
Kowloon HONG KONG

FOOT CHECK VALVE FLANGED END

Ref.460B / PN 10-16

APPLICATION:

Mainly used for Fresh Water, Sea water, all kinds of oil, acid, alkaline liquid etc

GENERAL CHARACTERISTICS:

Range from ND50 up to ND350.
WRAS certificate for Drinking Water (Rubber and paint) available
Minimum head loss.
Epoxy paint 250 microns: RAL 5015.

WORKING CONDITIONS:

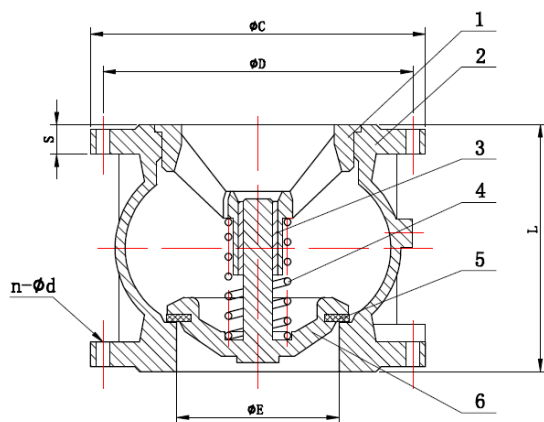
Pressure Ratings: 1.0Mpa; 1.6Mpa
Working Temperature: NBR -10C° +80C°
EPDM -10C° +120C°
Flow Media: Fresh Water, Sea water, all kinds of oil, acid, alkaline liquid

STANDARDS:

End Connections: PN10, PN16.
Comply with EN 558-1, ISO 5752 and EN 1092-2, ISO 7005-2 flange dimension.
Pressure test according to standards: API598 DIN3230 EN12266-1



ND	L	E	C	D	n-d	S
050(2")	100	50	165	125	4-19	17
065(2-1/2")	120	65	18	145	4-19	17
080(3")	140	80	200	160	8-19	19
100(4")	170	101	220	180	8-19	21
125(5")	200	127	250	20	8-19	23
150(6")	230	145	285	240	8-23	23
200(8")	301	194	340	295	12-23	27
250(10")	370	245	405	355	12-28	29
300(12")	410	300	460	410	12-28	29
350(14")	473	344	520	470	12-28	30



ITEM	PART	MATERIAL
1	Guide	GJS400
2	Body	GJL250/GJS400
3	Guiding Stem	F4
4	Spring	SS316
5	Seal	NBR/EPDM
6	Disc	GJS400

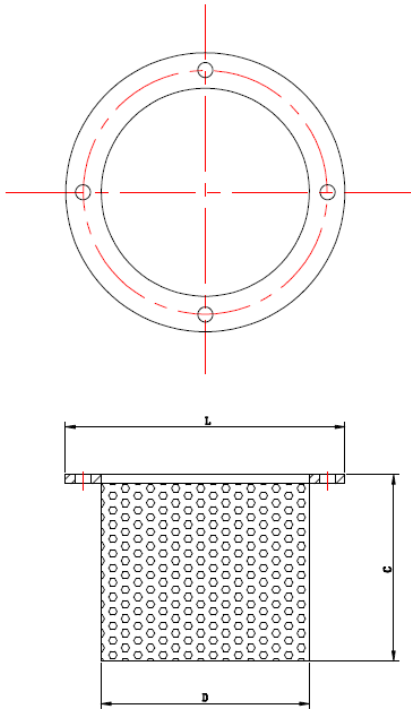
*other materials aviable under request

All the components can be substituted with equivalent or higher-class materials.

DAVINCI VALVES LTD, is constantly looking at all ways of improving our products and services related to the water, fire and industry sector and therefore we reserve the right to change, without prior notice, any of the data contained here. Please contact our Technical Sales Department for detailed advice.
© 2018 DAVINCI VALVES LTD.

FOOT CHECK VALVE FLANGED END

Ref.460B / PN 10-16



ND	L	C	D
050(4")	156	80	111
065(5")	176	100	131
080(6")	192	120	148
100(4")	212	150	168
125(5")	242	175	198
150(6")	275	200	222
200(8")	332	250	278
250(10")	385	300	329
300(12")	445	350	384

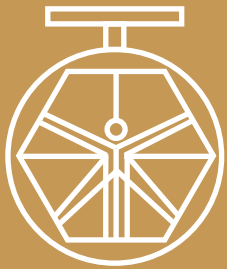


All the components can be substituted with equivalent or higher-class materials.

DAVINCI VALVES LTD, is constantly looking at all ways of improving our products and services related to the water, fire and industry sector and therefore we reserve the right to change, without prior notice, any of the data contained here. Please contact our Technical Sales Department for detailed advice.
© 2018 DAVINCI VALVES LTD.

www.davincivalves.com info@davincivalves.com +34 616553797 / +86 17340168233
18 Dongyu Street, Square One 11th Floor 1101. Jinjiang District, Chengdu, Sichuan Province, China

"For professionals who wants more"



DAVINCI
VALVES™