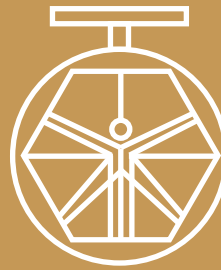


**GROUP 800
KNIFE VALVES
MOD.851A/107**



**DAVINCI
VALVES™**

**TECHNICAL
DATA SHEET**

INDUSTRY Series

**BIDIRECTIONAL SEALING POLYURETANE LINER
KNIFE VALVE**

**DAVINCI
VALVES™**



**QUALITY
ASSUREMENT**

**DAVINCI
VALVES™**



**PRODUCT QT
ASSUREMENT**

**DAVINCI
VALVES™**



**COMPANY QT
ASSUREMENT**

www.davincivalves.com

18 Dongyu Street, Square One,
11th Floor 1101, Jinjiang District,
Chengdu, Sichuan CHINA

10F/Tower A, Billion Center,
1 Wang Kwong Road, Kowloon Bay
Kowloon HONG KONG

BIDIRECTIONAL SEALING POLYURETANE LINER KNIFE VALVE

ref.851A / PN 10-16



MODEL: 851A

WORKING PRESSURE:

DN50-DN200 16Bar DN250-DN400 10Bar
DN450-DN600 8Bar DN650-DN800 6Bar

STANDARDS:

Type: Wafer
Design: MSS SP-81
Flange Standard: DIN PN10, PN16, 150LB, JIS 10K, TABLE E/D
Face to Face: MSS SP-81
Testing Standard: API-598
Operation: handwheel, electric, pneumatic, hydraulic, sprocket, electro-hydraulic, gear box

GENERAL CHARACTERISTICS:

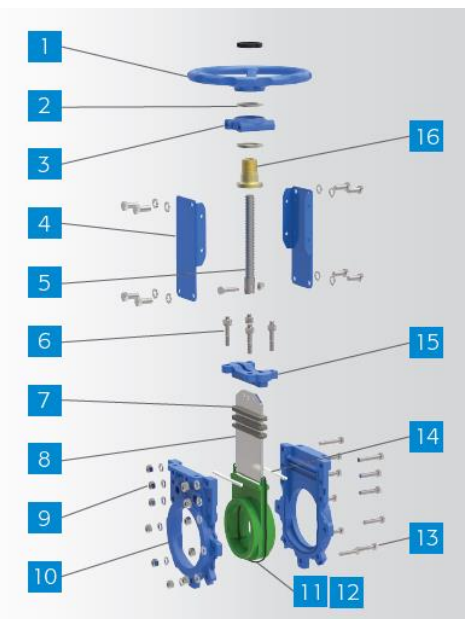
Main Material: CF3M, CF3, CF8M, CF8, WCB, GGG40
Wedge Material: SS316L, SS304
Sealing Material: Polyurethane
Packing: Aramid fiber, high-water-based rubber packing graphite wheel
Applicable medium: Applicable for coal in power plant, slag discharge, sewage treatment, food, paper making, medicine, petroleum, and chemical industry, water, Oil, steam, connecting or cutting grout, gold powder, ores, slag, coal, pulp, wood pulp, tailings, fibers, dust, chemicals, sewage treatment, sedimentation tanks, asphalt, bunker export, cereals, slaughter plant waste and other media.

FEATURES:

- ✚ Bi-directional seal
- ✚ 2PC Body design
- ✚ Full port design
- ✚ Fluid without retention in valve body
- ✚ Super wearable special for mining
- ✚ 2PC Strong yoke design
- ✚ Mixed with a variety of materials packing

PRODUCT DESCRIPTION:

851A Series No groove bi-directional seal knife gate valve, cast iron body with the overall structure knife gate valve, including valve' body, gate, and U-shaped flexible seal at the bottom of the body with grooves. When the valve is closed, the bottom of the gate edge contact with the seal and then compress the seal into the groove in the body and sealed gate realization, when the gate opens, separate gate from the bottom edge of the seal, seal will bounce to same level as groove, which will prevent the media sediment accumulated in the body cavity of the groove, no clogging, no residue, pipe easy to clean, so as to effectively improve the sealing effect knife gate valve to prevent leakage when the valve is closed.



No.	Part	Material	QTY
1	Hand wheel	GGG40	1
2	Bearing	ZChSnSb10-6	2
3	Yoke Flange	GGG40	1
4	Yoke	Q235	2
5	Stem	2Cr13/SS304/SS316	1
6	Bolt & Nut	Fe+Zn/SS304	N
7	Packing	PTFE	3-5
8	Gate Disc	SS304/SS316	1
9	Nut	Fe+Zn/SS304	N
10	Body	GGG0	2
11	Seat Lined	Polyurethane	1
12	Body Sealing	EPDM	1
13	Bolt	Fe+Zn/SS304	N
14	Scraper	PTFE	2
15	Packing Gland	WCB/CF8	1
16	Bolt	Brass	1

All the components can be substituted with equivalent or higher-class materials.

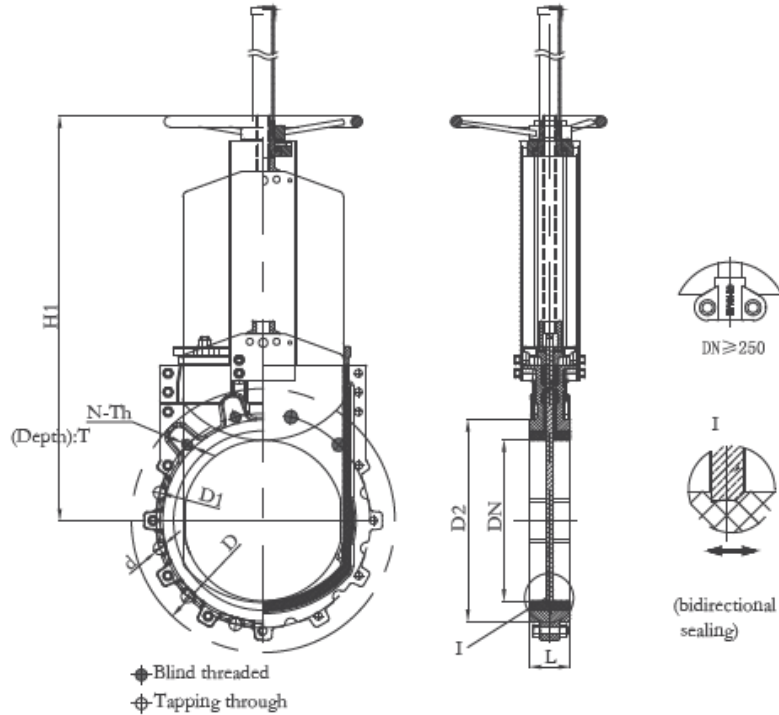
DAVINCI VALVES LTD, is constantly looking at all ways of improving our products and services related to the water, fire and industry sector and therefore we reserve the right to change, without prior notice, any of the data contained here. Please contact our Technical Sales Department for detailed advice.

© 2018 DAVINCI VALVES LTD.
www.davincivalves.com info@davincivalves.com +34 616553797 / +86 17340168233

BIDIRECTIONAL SEALING POLYURETANE LINER KNIPE VALVE

ref.851A / PN 10-16

DIMENSION



DIN2632 PN10								
DN	L	D	D1	D2	D0	N-Th	d(φ)	H1
50	48	165	125	99	180	4-M16	18	265
65	48	185	145	118	200	4-M16	18	290
80	51	200	160	132	200	8-M16	18	330
100	51	220	180	156	240	8-M16	18	360
125	57	250	210	184	260	8-M16	18	400
150	57	285	240	211	280	8-M20	23	450
200	70	340	295	266	300	12-M20	23	530
250	70	395	350	319	320	12-M20	23	595
300	76	445	400	370	350	16-M20	23	660
350	76	505	460	429	400	16-M24	23	760
400	89	565	515	480	450	16-M24	27	850
450	89	615	565	530	500	20-M24	27	940
500	114	670	620	582	500	20-M24	27	1050
550	114	725	680	638		20-M27	30	Gear
600	114	780	725	682		20-M27	30	Gear
700	127	895	840	794		24-M27	30	Gear
800	127	1015	950	901		24-M30	33	Gear

ANSI 150LB									
DN	L	D	D1	D2	D0	N-Th	d(φ)	H1	
2"	48	152	121	92	180	4-5/8"	19	260	
2-1/2"	48	178	140	105	200	4-5/8"	19	292	
3"	51	191	153	127	200	4-5/8"	19	320	
4"	51	229	191	157	240	8-5/8"	19	358	
5"	57	254	216	186	260	8-3/4"	22	395	
6"	57	279	242	216	280	8-3/4"	22	450	
8"	70	343	299	270	300	8-3/4"	22	532	
10"	70	406	362	324	320	12-7/8"	25	670	
12"	76	483	432	381	350	12-7/8"	25	758	
14"	76	533	476	413	400	12-1"	29	857	
16"	89	597	540	470	450	16-1"	29	946	
18"	89	635	578	533	500	16-1 1/8"	32	1023	
20"	114	699	635	584	500	20-1 1/8"	32	Gear	
22"	114	750	692	641		20-1 1/4"	35	Gear	
24"	114	813	750	691		20-1 1/4"	35	Gear	
26"	114	870	806	749		24-1 1/4"	35	Gear	
28"	127	927	864	800		28-1 1/4"	35	Gear	
30"	127	985	914	857		28-1 1/4"	35	Gear	
32"	127	1060	978	914		20-1 1/2"	41	Gear	

All the components can be substituted with equivalent or higher-class materials.

DAVINCI VALVES LTD, is constantly looking at all ways of improving our products and services related to the water, fire and industry sector and therefore we reserve the right to change, without prior notice, any of the data contained here. Please contact our Technical Sales Department for detailed advice.

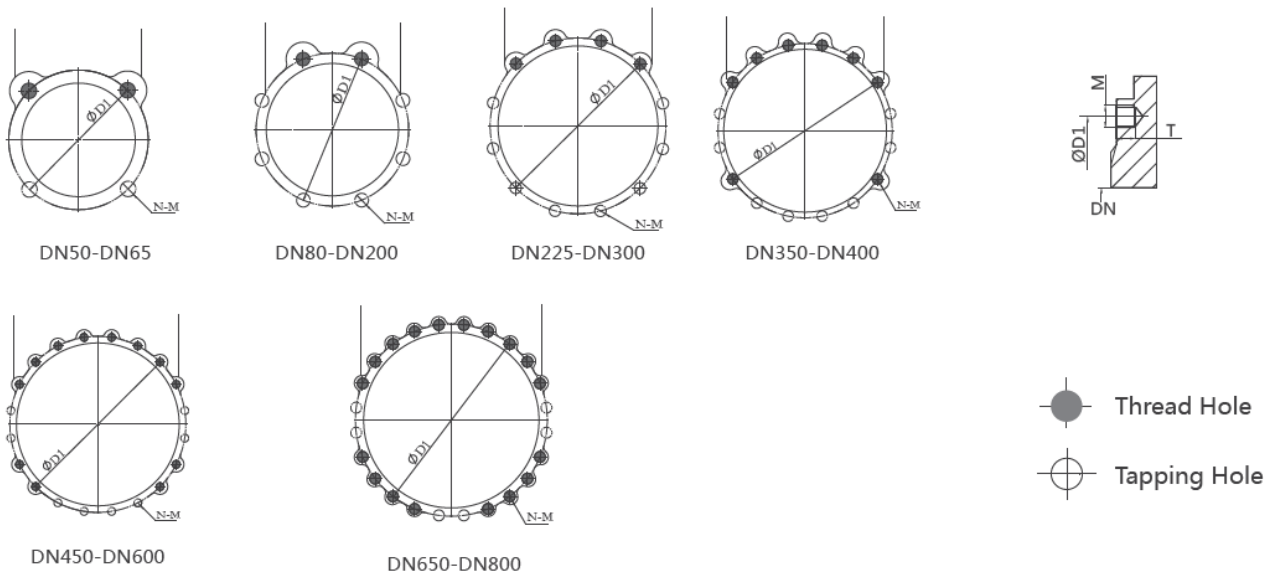
© 2018 DAVINCI VALVES LTD.

www.davincivalves.com info@davincivalves.com +34 616553797 / +86 17340168233

BIDIRECTIONAL SEALING POLYURETANE LINER KNIFE VALVE

ref.851A / PN 10-16

PN10 Threaded Hole and Tapping Hole



PN10						
DN	D1	N	M	T	Thread Hole	Tapping Hole
50	125	4	16	13	2	2
65	145	4	16	13	2	2
80	160	8	16	13	2	6
100	180	8	16	13	2	6
125	210	8	16	16	2	6
150	240	8	16	16	2	6
200	295	8	20	20	2	6
225	310	12	20	20	4	8
250	350	12	20	20	4	8
300	400	12	20	20	4	8
350	460	16	20	20	8	8
400	515	16	24	24	10	6
450	565	20	24	24	14	6
500	620	20	24	24	14	6
550	680	20	27	24	14	6
600	725	20	27	27	14	6
700	840	24	27	27	16	8
800	950	24	30	30	18	6

All the components can be substituted with equivalent or higher-class materials.

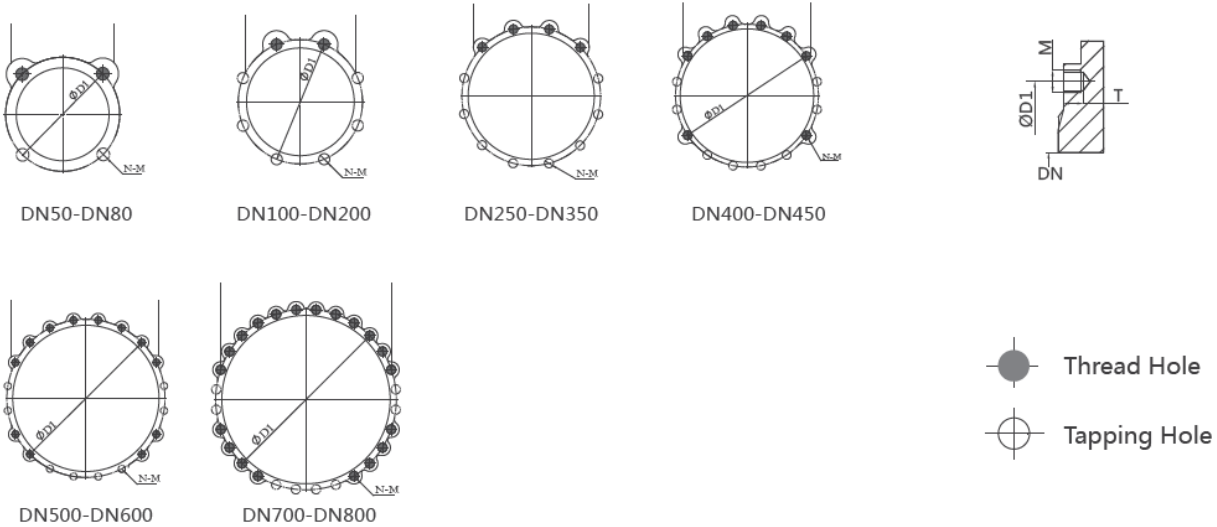
DAVINCI VALVES LTD, is constantly looking at all ways of improving our products and services related to the water, fire and industry sector and therefore we reserve the right to change, without prior notice, any of the data contained here. Please contact our Technical Sales Department for detailed advice.
© 2018 DAVINCI VALVES LTD.

www.davincivalves.com info@davincivalves.com +34 616553797 / +86 17340168233

BIDIRECTIONAL SEALING POLYURETANE LINER KNIFE VALVE

ref.851A / PN 10-16

150LB Threaded Hole and Tapping Hole



ANSI 150LB						
DN	D1	N	M	T	Thread Hole	Tapping Hole
2"	121	4	M5/8-11	13	2	2
2-1/2"	140	4	M5/8-11	13	2	2
3"	153	4	M5/8-11	13	2	2
4"	191	8	M5/8-11	13	2	6
5"	216	8	M3/4-10	16	2	6
5"	242	8	M3/4-10	16	2	6
8"	299	8	M3/4-10	20	2	6
10"	362	12	M7/8-9	20	4	8
12"	432	12	M7/8-9	20	4	8
14"	476	12	M1-8	20	6	6
16"	540	16	M1-8	24	10	8
18"	578	16	M1 1/8-7	24	10	8
20"	635	20	M1 1/8-7	24	12	8
22"	692	20	M1 1/4-7	24	12	8
24"	750	20	M1 1/4-7	27	12	8
26"	806	24	M1 1/4-7	27	16	8
28"	864	28	M1 1/4-7	27	20	8
30"	914	28	M1 1/4-7	27	20	8
32"	978	28	M1 1/2-6	30	20	8

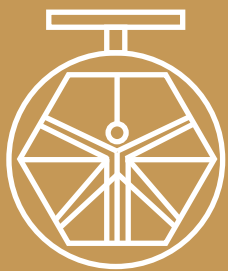
All the components can be substituted with equivalent or higher-class materials.

DAVINCI VALVES LTD, is constantly looking at all ways of improving our products and services related to the water, fire and industry sector and therefore we reserve the right to change, without prior notice, any of the data contained here. Please contact our Technical Sales Department for detailed advice.

© 2018 DAVINCI VALVES LTD.

www.davincivalves.com info@davincivalves.com +34 616553797 / +86 17340168233

"For professionals who wants more"



DAVINCI
VALVES™